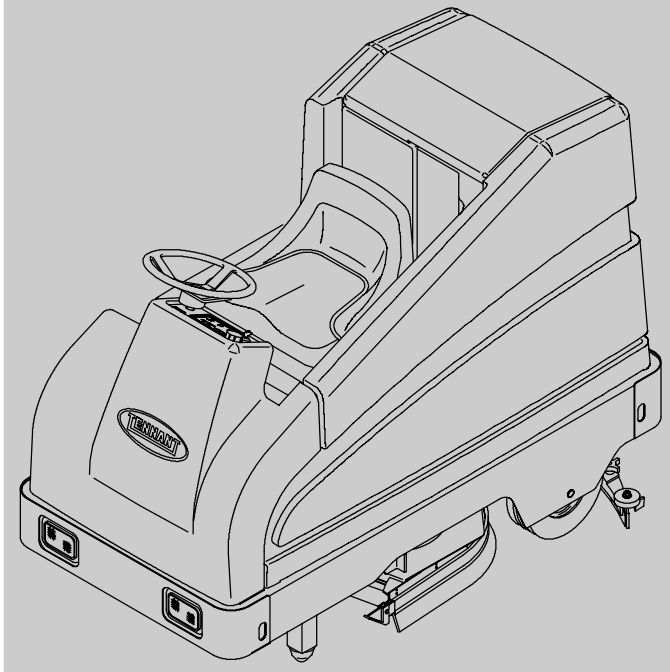
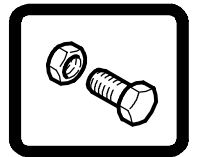




# 7200

## Rider Scrubber Parts Manual



***FAST***  
*Foam Scrubbing Technology*

***The Safe Scrubbing Alternative®***

**North America / International**

[www.tennantco.com](http://www.tennantco.com)

**330040**  
Rev. 12 (4-2007)



When ordering replacement parts, use the illustrated parts list section in this manual. Before ordering parts or supplies, be sure to have your machine model number and serial number available. Parts and supplies may be ordered online, by phone, or mail from any authorized parts and service center, distributor or from any of the manufacturer's subsidiaries.

This machine will provide excellent service. However, the best results will be obtained at minimum costs if:

- The machine is operated with reasonable care.
- The machine is maintained regularly - per the machine maintenance instructions provided.
- The machine is maintained with manufacturer supplied or equivalent parts.

---

## MACHINE DATA

---

Please fill out at time of installation for future reference.

Model No.- **7200**

Serial No. - \_\_\_\_\_

Machine Options - \_\_\_\_\_

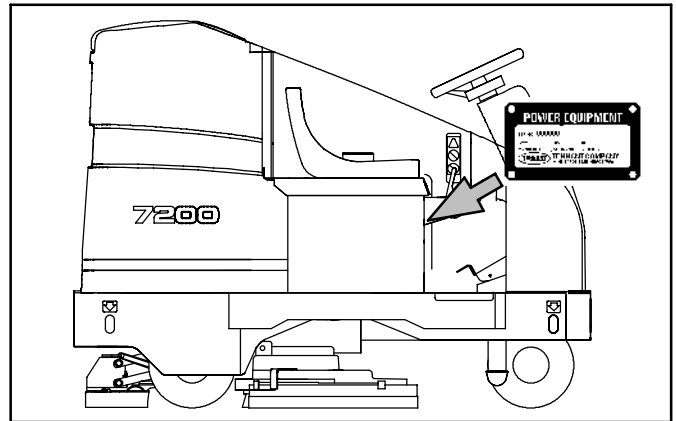
Sales Rep. - \_\_\_\_\_

Sales Rep. phone no. - \_\_\_\_\_

Customer Number - \_\_\_\_\_

Installation Date - \_\_\_\_\_

### Machine Data Plate



### Tennant Company

PO Box 1452

Minneapolis, MN 55440

Phone: (800) 553-8033 or (763) 523-2850

[www.tennantco.com](http://www.tennantco.com)

ES is a United States registered trademark of the Tennant Company

Pre-Sweep, FaST and "The safe scrubbing alternative" are United States trademarks of Tennant Company.

Specifications and parts are subject to change without notice.

Copyright © 1997-2002, 2004-2007 TENNANT, Printed in U.S.A.

## HOW TO USE THIS MANUAL

This section on *HOW TO USE THIS MANUAL* will tell you how to:

- Find important machine information for ordering correct repair parts.
- Find TENNANT part numbers.
- Order TENNANT parts and supplies.

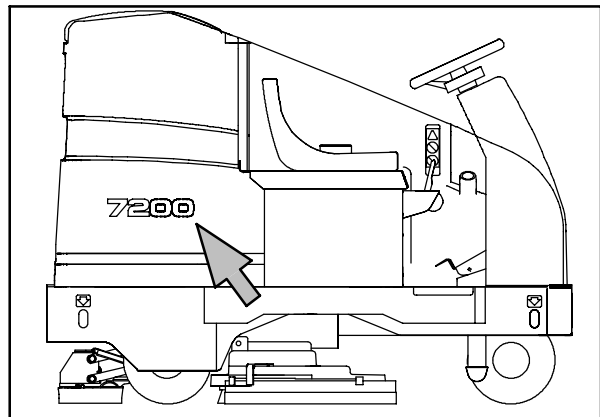
---

### IMPORTANT INFORMATION

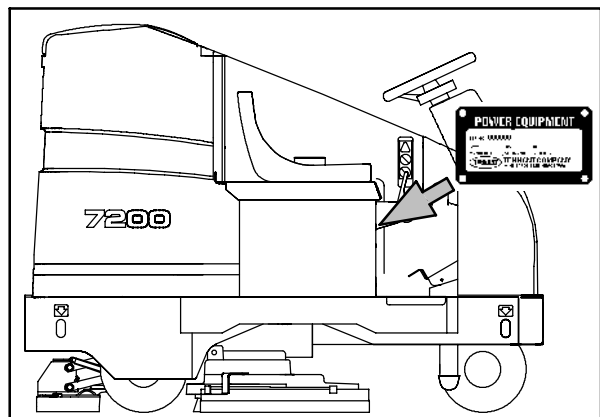
---

When placing an order for parts, the machine model and machine serial number are important. Refer to the *MACHINE DATA* box which is filled out during the installation of your machine. The *MACHINE DATA* box is located on the inside of the front cover of this manual.

The model number of your machine is on the side of the machine.



The serial number of your machine is printed on the machine data plate located as shown.



# HOW TO USE THIS MANUAL

## FINDING A TENNANT PART NUMBER

This manual contains the following sections:

- HOW TO USE THIS MANUAL
- STANDARD PARTS
- OPTIONS
- BREAKDOWNS
- CROSS REFERENCE

The STANDARD PARTS section lists repair parts for standard machines. They are grouped in this general order:

- General wear parts.
- Machine frame and related parts.
- Machine propelling system.
- Scrubbing components.
- Electrical parts.

The OPTION section lists repair parts of options.

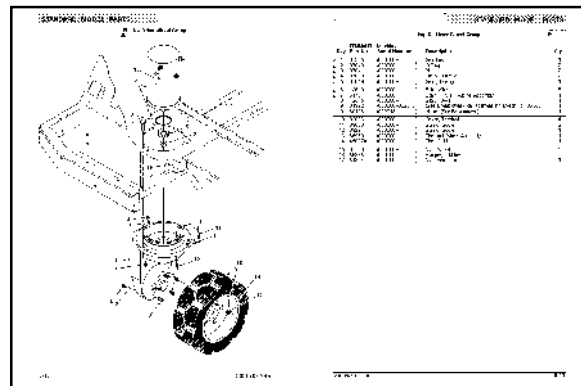
The BREAKDOWN section lists available repair parts of major components.

All sections in this manual consist of parts illustrations and corresponding parts lists.

The parts illustrations are numbered with **Ref** numbers which refer to corresponding parts lists.

The parts lists include a number of columns of information:

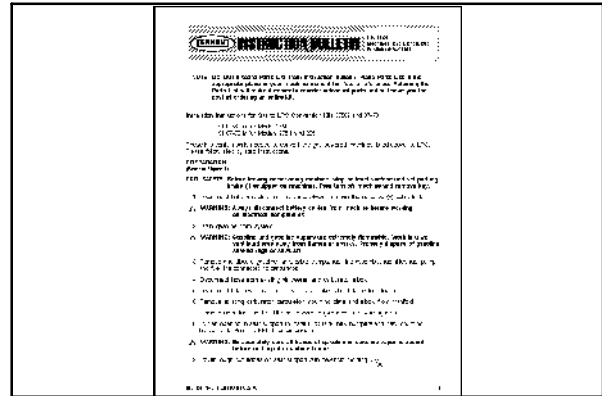
- **Ref** - column refers to the reference number on the parts illustration.
- ▽ - indicates the part is an assembly.
- ▲ - indicates the part is included in the assembly listed just before it.
- **TENNANT Part No.** - column lists the TENNANT part number for the part.
- **Serial Number** - column indicates the set of machines the part number is applicable to. Serial numbers change when the machine design has been modified. The most current design of the machine is shown in the main illustration, older designs are boxed in a corner of the illustration.
- **Description** - column is a brief description of the part.
- **Qty.** - column lists the quantity of that part used in that area of the machine.



Key	TENNANT Part No.	Machine Serial Number	Description	Qty.
▽	1 87255	Q000C0	Gearbox	1
▲	2 87640	Q000C0	O-Ring	1
▲	3 87641	Q000C0	Plug	1
▲	4 87639	Q000C0	Fitting, Grasp	1
▲	5 87640	Q000C0	Gear, Driving	1
▲	6 12610	Q000C0	Bolt, Wheel	5
▲	7 61791	Q000C0	Bearing and Housing Assembly	1
▲	8 12649	Q000C0	Seal, O-Ring	1
▲	9 31592	Q000C0-C03C17	See Breakdowns; Replacement Kit Motor For 86366	1
▲	9 63196	Q02018-	Motor (See Breakdowns)	1
1C	02C76	Q000C0-	Cover, Terminal	4
11	09C00	Q000C0-	Screw, Socket	2
12	09294	Q000C0-	Screw, Socket	1
15	R5C70	Q000C0-	Tire and Wheel Assembly	1
14	45C27A	Q000C0-	Tire, Solid	1
1E	87750	Q000C0-	Mnt, Wheel	5
1E	55655	Q000C0	Bumper, Rubber	2
17	61624	Q000C0-	Rub, Pat, Thin	1

**NOTE:** If a service kit is installed on your machine, be sure to keep the **INSTRUCTION BULLETIN** which came with the kit. It contains repair parts numbers needed for ordering future parts.

**NOTE:** Fasteners used in this machine may be metric or non-metric. Take care when replacing hardware to replace with same thread size.



## PLACING AN ORDER

Orders may be placed by phone, fax, or by mail. Phone orders may need written confirmation. Follow the steps below to insure prompt delivery:

1. Identify the model number of your machine.
2. Identify the serial number of your machine.
3. Find the part number of the part you need. Do not order by page number or reference number. If you are not able to find the part number, call your TENNANT representative for help or send the old part as a sample.
4. Determine the quantity of the part you need.
5. Provide the following company information:
  - Company name
  - Customer ID Number
  - Shipping address
  - Billing address
  - First and last name of person ordering parts
  - Telephone number
  - Purchase order number
6. Provide definitive shipping instructions.

## HOW TO USE THIS MANUAL

---

Any claim for loss or damage to a shipment in transit should be filed promptly with the transportation company making the delivery. Shipments will be complete unless the packing list or order acknowledgement indicates items back ordered.

If parts received are suspected to be incorrect or defective, please contact the TENNANT representative from whom you ordered the part. They will give authorization for return and/or handle replacement shipments when required.

## SECTION 2

Contents	Page	Contents	Page
Fig. 1 - General Recommended Maintenance Items	2-3	Fig. 36 - Electrical Schematic (000000-008237)	2-70
Fig. 2 - Replacement Brushes, 700 mm (28 in)	2-4	Fig. 37 - Electrical Schematic (008238- )	2-72
Fig. 3 - Replacement Brushes, 900 mm (36 in)	2-6	Fig. 38 - Wire Harnesses Group (000000-008237)	2-74
Fig. 4 - Main Frame Group	2-8	Fig. 39 - Wire Harnesses Group (008238- )	2-78
Fig. 5 - Seat Group	2-10	Fig. 40 - Label Group	2-82
Fig. 6 - Steering Group	2-12		
Fig. 7 - Instrument Panel Group	2-14		
Fig. 8 - Electrical Panel Group	2-16		
Fig. 9 - Front Drive Wheel Group	2-18		
Fig. 10 - Brake Group	2-20		
Fig. 11 - Rear Wheel Group	2-22		
Fig. 12 - Directional Pedal Group	2-24		
Fig. 13 - Scrub Head Lift Group	2-26		
Fig. 14 - Disk Scrub Head Drive Motor Group, 900 mm (36 in)	2-28		
Fig. 15 - Disk Scrub Head Squeegee Group, 900 mm (36 in)	2-30		
Fig. 16 - Cylindrical Scrub Head Frame Group, 900 mm (36 in)	2-32		
Fig. 17 - Cylindrical Scrub Head Drive Motor Group, 900 mm (36 in)	2-34		
Fig. 18 - Cylindrical Scrub Head Squeegee Group, 900 mm (36 in)	2-36		
Fig. 19 - Recovery Tank Group (000000-010021)	2-38		
Fig. 20 - Recovery Tank Group (010022- )	2-40		
Fig. 21 - Vacuum Fan Kit, Single	2-42		
Fig. 22 - Solution Tank Group	2-44		
Fig. 23 - Solution Control Group	2-46		
Fig. 24 - FaST Air Pump and Detergent Group	2-48		
Fig. 25 - FaST Solution Pump Group	2-50		
Fig. 26 - FaST Foam Filter Group, Disk Scrub Head, 900mm (36 in)	2-52		
Fig. 27 - FaST Foam Filter Group, Cylindrical Scrub Head, 900mm (36 in)	2-54		
Fig. 28 - FaST Instrument and Electrical Panel Group	2-56		
Fig. 29 - FaST Wire Harness Group	2-58		
Fig. 30 - FaST Electrical Schematic	2-59		
Fig. 31 - Battery Cable Group	2-60		
Fig. 32 - Rear Squeegee Lift Group	2-62		
Fig. 33 - Rear Squeegee Linkage Group (000000-006071)	2-64		
Fig. 34 - Rear Squeegee Linkage Group (006072- )	2-66		
Fig. 35 - Rear Squeegee Group, 900 mm (36 in)	2-68		





Fig. 1 - General Recommended Maintenance Items

Ref.	Part No.	Serial Number	Description	Qty.
	223606	(000000-	Blade, Sqge, Front, 47.41l Rbr [900mm] Linard (5 slot)	1
	222415	(000000-	Blade, Sqge, Rear, 49.37l Linatex[900mm]	1
▽	223608	(000000-	Blade Kit, Sqge, Rbr [900mm] Tile	1
▲	223607	(000000-	Blade, Sqge, Front, 47.41l Rbr [36"] Linatex (1 slot)	1
▲	222416	(000000-	Blade, Sqge, Rear, 49.37l Gum [36"]	1
▽	222433	(000000-	Sqge Kit, Ure [900mm]	1
▲	222434	(000000-	Blade, Sqge, Front, 47.41l Oil-Rstrn[36"] Urethane (5 slot)	1
▲	222435	(000000-	Blade, Sqge, Rear, 49.37l Pyu [36"] Urethane	1
	223593	(000000-	Caster, Swivel, 2.5d 1.3w, .50-13 Stem	2
	82138	(000000-	Nut, Spd, Clip, .25-20 [.025-.150]	2
	223568	(000000-	Deflector, Water	2
	86859	(000000-	Squeegee Assy, Side [Linatex]	2
	223519	(000000-	Skirt, Rbr, .12, 03.75w 37.64l, 06/ SI	1
	223520	(000000-	Skirt, Rbr, .12, 03.75w 28.00l, 04/ SI	1
	86865	(000000-	Guide, Sqge, Side	1
	223532	(000000-	Filter Assy, Panl, Scrbr [7200]	1
	223527	(000000-	Seal, Rbr, Clsd, 0.75, Tank, Recvy	1
	223228	(000000-	Hose Assy, W/1cuff, 1.5d 063l 1.5/	1
	1031699	(000000-	Gasket, 4.05id 5.29od .19 [Buna]	2
	223264	(000000-	Seal, Rbr, Clsd, 0.25, 5.8d 03.3h	1
	223525	(000000-	Seal, Fan	1
	377505	(000000-	Belt Kit, Drive, Brush, F/222201, Replmt	1
	223569	(000000-	Gasket, Shield	1
	222381	(000000-	Blade, Sqge, Front, 38.97l Rbr [700mm]	1
	222382	(000000-	Blade, Sqge, Rear, 40.93l Linatex[700mm]	1
▽	222422	(000000-	Blade Kit, Sqge, Rbr [700]	1
▲	222385	(000000-	Blade, Sqge, Tile, 38.97l [Linard, 28"]	1
▲	222387	(000000-	Blade, Sqge, Rear, 40.93l Gum [28"]	1
▽	222428	(000000-	Sqge Kit, Oil Res Ure [700]	1
▲	222391	(000000-	Blade, Sqge, Front, 38.97l [700mm]	1
▲	222389	(000000-	Blade, Sqge, Rear, 40.93l Pyu [28"]	1
	223623	(000000-	Strip, Retainer, Skirt, Front, Lh	2
	223669	(000000-	Strip, Retainer, 0.12 01.00w 19.0l	1
	1017015	(000000-	Detergent, Pkg, 2 Liter, Sgl [365]	-
	1017022	(000000-	Detergent, Pkg, 2 Liter, Sgl [665]	-
	9002021	(000000-	Detergent, 2 Liter [Fast 965]	-

Fig. 2 - Replacement Brushes, 700 mm (28 in)

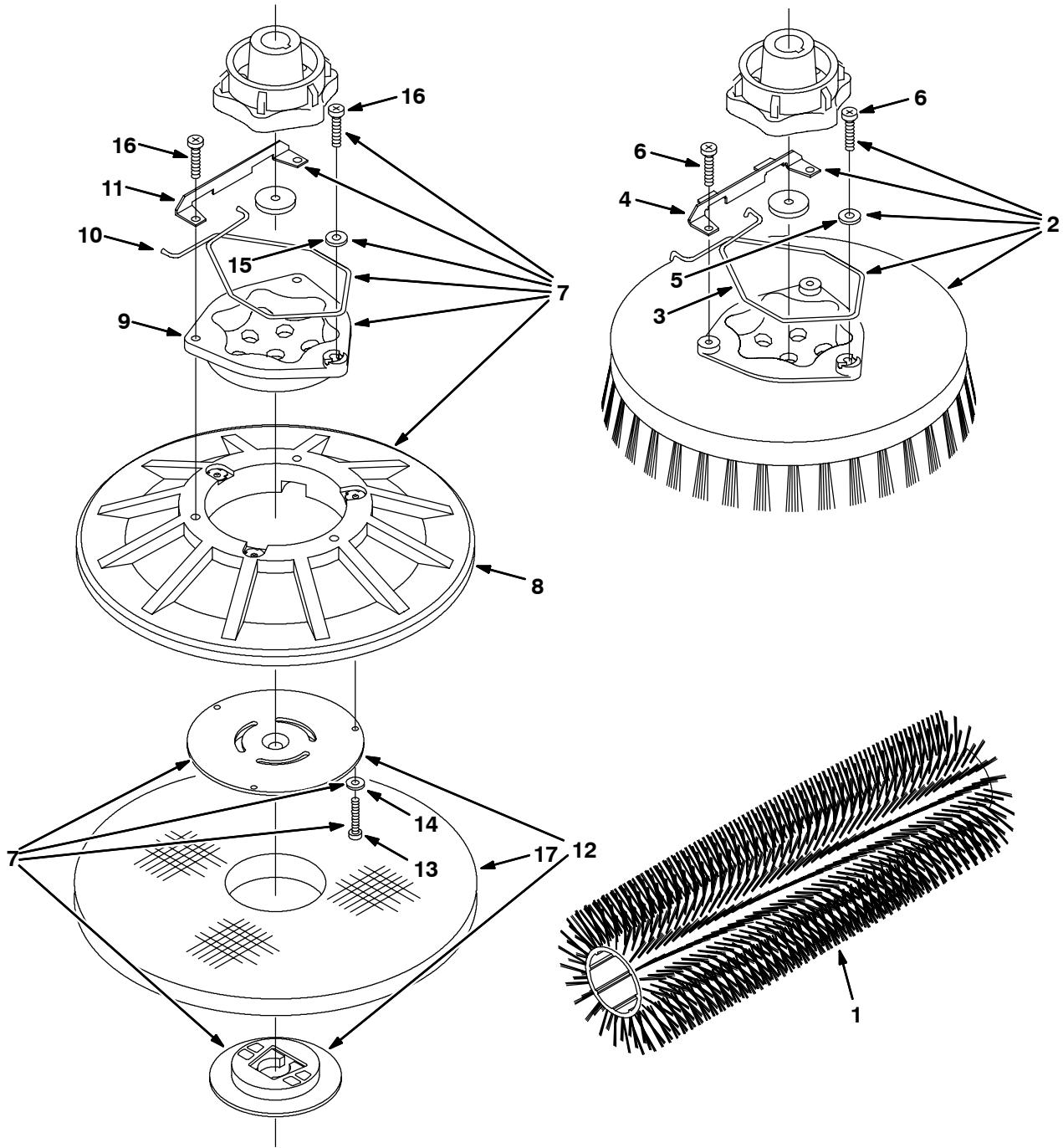


Fig. 2 - Replacement Brushes, 700 mm (28 in)

Ref.	Part No.	Serial Number	Description	Qty.
1	222304	(000000-008237 )	Brush, Scb, 28l, Polypropylene Grout	2
1	374041	(000000-008237 )	Brush, Scb, 28l, Polypropylene	2
1	222305	(000000-008237 )	Brush, Scb, 28l, Soft Nylon	2
1	222306	(000000-008237 )	Brush, Scb, 28l, Abrasive	2
▽	2	222321	(000000-008237 ) Brush Assy, Disk, Scb, 14.0 D, Nylon	2
▲	3	14838	(000000-008237 ) Spring, Wir, 0.16d, Brush Retaining	1
▲	4	24299	(000000-008237 ) Bracket, Retainer, Spring	1
▲	5	01684	(000000-008237 ) Washer, Flat, 0.27b 0.69d .05, Ss	1
▲	6	32746	(000000-008237 ) Screw, Pan, M6 X 1.0 X 35, Ss	3
▽	2	222320	(000000-008237 ) Brush Assy, Disk, Scb, 14.0 D, Polypropylene	2
▲	3	14838	(000000-008237 ) Spring, Wir, 0.16d, Brush Retaining	1
▲	4	24299	(000000-008237 ) Bracket, Retainer, Spring	1
▲	5	01684	(000000-008237 ) Washer, Flat, 0.27b 0.69d .05, Ss	1
▲	6	32746	(000000-008237 ) Screw, Pan, M6 X 1.0 X 35, Ss	3
▽	2	222322	(000000-008237 ) Brush Assy, Disk, Scb, 14.0d, Super Abrasive	2
▲	3	14838	(000000-008237 ) Spring, Wir, 0.16d, Brush Retaining	1
▲	4	24299	(000000-008237 ) Bracket, Retainer, Spring	1
▲	5	01684	(000000-008237 ) Washer, Flat, 0.27b 0.69d .05, Ss	1
▲	6	32746	(000000-008237 ) Screw, Pan, M6 X 1.0 X 35, Ss	3
▽	7	397914	(000000-008237 ) Driver Assy, Pad, 14.0d	2
▲	8	397974	(000000-008237 ) Disk, Driver, Pad, W/ Face, 14.0d	1
▲	9	15539	(000000-008237 ) Hub, Drive, Brush, Disk, 3hole 5.8bc[6t]	1
▲	10	14838	(000000-008237 ) Spring, Wir, 0.16d, Brush Retaining	1
▲	11	24299	(000000-008237 ) Bracket, Retainer, Spring	1
▲	12	370090	(000000-008237 ) Retainer, Centering, Pad Rep.By370095	1
▲	13	09198	(000000-008237 ) Screw, Pan, M4 X 0.7 X 35, Ss	3
▲	14	41579	(000000-008237 ) Washer, Flat, #08, Ss	3
▲	15	01684	(000000-008237 ) Washer, Flat, 0.27b 0.69d .05, Ss	1
▲	16	32746	(000000-008237 ) Screw, Pan, M6 X 1.0 X 35, Ss	3
	17	222324	(000000-008237 ) Pad, Polish, 14.0d, White [1pad=1pc]	2
	17	222325	(000000-008237 ) Pad, Buff, 14.0d, Red	2
	17	222326	(000000-008237 ) Pad, Scb, 14.0d, Blu [1pad=1pc]	2
	17	222327	(000000-008237 ) Pad, Stripping, 14.0d, Brown [1pad=1pc]	2
	17	370091	(000000-008237 ) Pad, High Productivity Stripping, 14.0d, Blk	2

**Fig. 3 - Replacement Brushes, 900 mm (36 in)**

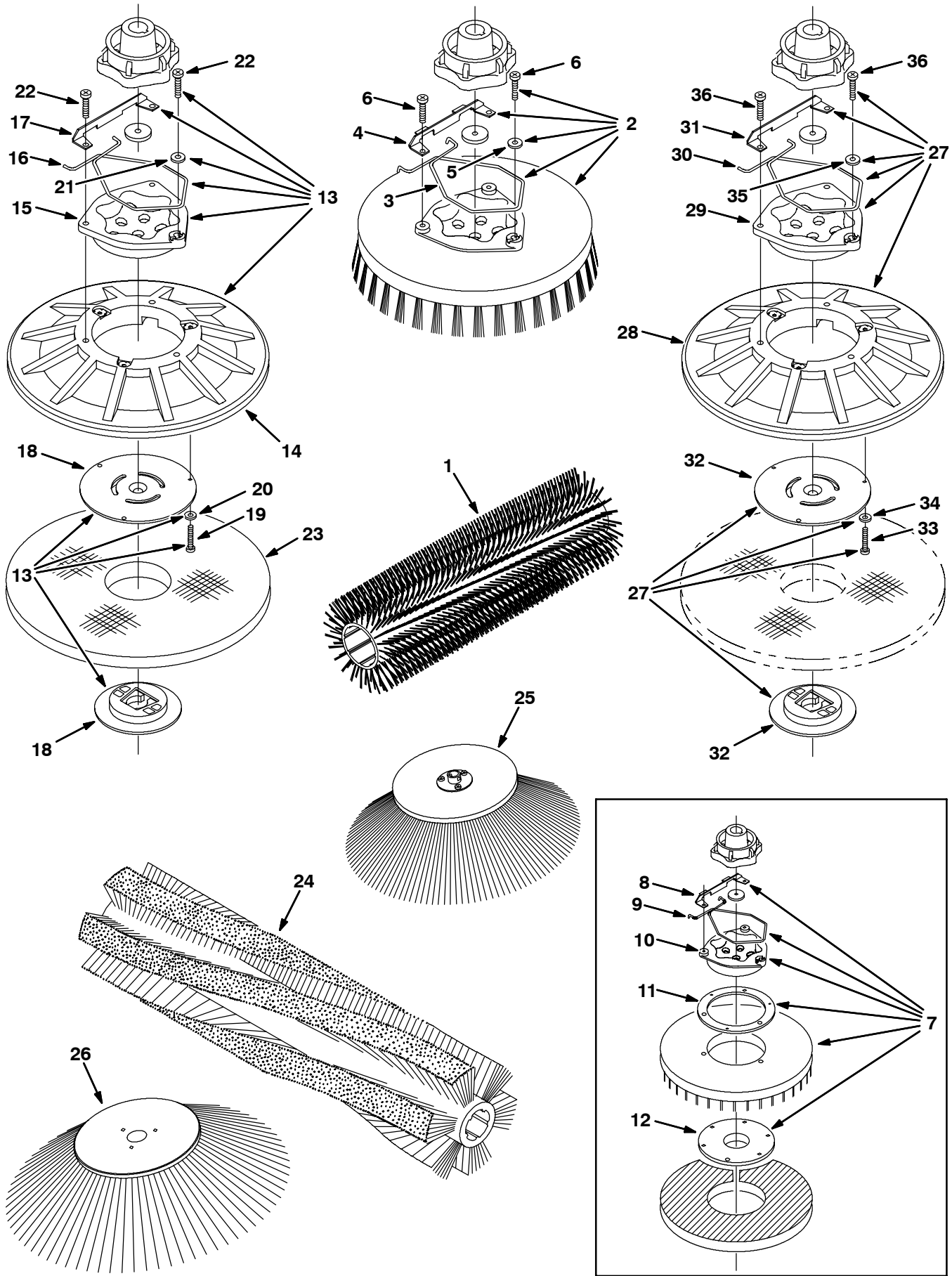


Fig. 3 - Replacement Brushes, 900 mm (36 in)

Ref.	Part No.	Serial Number	Description	Qty.
1	222310	(000000-	) Brush, Scb, 36l, Polypropylene Grout	2
1	374043	(000000-	) Brush, Scb, 36l, Polypropylene	2
1	222311	(000000-	) Brush, Scb, 36l, Soft Nylon	2
1	222312	(000000-	) Brush, Scb, 36l, Abrasive	2
▽	2	11773	(000000-) Brush Assy, Disk, Scb, Nylon	2
▲	3	14838	(000000-) Spring, Wir, 0.16d, Brush Retaining	1
▲	4	24299	(000000-) Bracket, Retainer, Spring	1
▲	5	01684	(000000-) Washer, Flat, 0.27b 0.69d .05, Ss	1
▲	6	32746	(000000-) Screw, Pan, M6 X 1.0 X 35, Ss	3
▽	2	11771	(000000-) Brush Assy, Disk, Scb, Polypropylene	2
▲	3	14838	(000000-) Spring, Wir, 0.16d, Brush Retaining	1
▲	4	24299	(000000-) Bracket, Retainer, Spring	1
▲	5	01684	(000000-) Washer, Flat, 0.27b 0.69d .05, Ss	1
▲	6	32746	(000000-) Screw, Pan, M6 X 1.0 X 35, Ss	3
▽	2	11772	(000000-) Brush Assy, Disk, Scb, Super Abrasive	2
▲	3	14838	(000000-) Spring, Wir, 0.16d, Brush Retaining	1
▲	4	24299	(000000-) Bracket, Retainer, Spring	1
▲	5	01684	(000000-) Washer, Flat, 0.27b 0.69d .05, Ss	1
▲	6	32746	(000000-) Screw, Pan, M6 X 1.0 X 35, Ss	3
▽	7	11776	(000000- xxxxxx) Pad Driver Rep.By370018	2
▲	8	24299	(000000- xxxxxx) Bracket, Retainer, Spring	1
▲	9	14838	(000000- xxxxxx) Spring, Wir, 0.16d, Brush Retaining	1
▲	10	15539	(000000- xxxxxx) Hub, Drive, Brush, Disk, 3hole 5.8bc[6t]	1
▲	11	11218	(000000- xxxxxx) Disc, Spacer, Brush	1
▲	12	19783	(000000- xxxxxx) Pad, Holder	1
▽	13	397918	( xxxxxx-) Driver Assy, Pad, 18.0d	2
▲	14	397978	( xxxxxx-) Disk, Driver, Pad, W/ Face, 18.0d	1
▲	15	15539	( xxxxxx-) Hub, Drive, Brush, Disk, 3hole 5.8bc[6t]	1
▲	16	14838	( xxxxxx-) Spring, Wir, 0.16d, Brush Retaining	1
▲	17	24299	( xxxxxx-) Bracket, Retainer, Spring	1
▲	18	370095	( xxxxxx-) Device, Centering, Clip On, TI [Gf Pp]	1
▲	19	09198	( xxxxxx-) Screw, Pan, M4 X 0.7 X 35, Ss	3
▲	20	41579	(000000-) Washer, Flat, #08, Ss	3
▲	21	01684	(000000-) Washer, Flat, 0.27b 0.69d .05, Ss	1
▲	22	32746	(000000-) Screw, Pan, M6 X 1.0 X 35, Ss	3
	23	11777	(000000-) Pad, Stripping, 18.0d, Brown [1pad=1pc]	2
	23	370093	(000000-) Pad, Stripping, 18.0d, Blk [1pad=1pc]	2
	23	11778	(000000-) Pad, Scb, 18.0d, Blu [1pad=1pc]	2
	23	11780	(000000-) Pad, Buff, 18.0d, Red [1pad=1pc]	2
	23	11781	(000000-) Pad, Polish, 18.0d, White [1pad=1pc]	2
	24	392222	(000000-) Brush, Swp, 32l, 6dr, Polypropylene	1
	25	28096P	(000000-) Brush Assy, Disk, Swp, 15.0 D, Polypropylene (Pre-Sweep SB)	1
	26	397056	(000000-) Brush Assy, Disk, Swp, 17.5d, Polypropylene (Side Brush)	1
▽	27	377391	(000000-) Driver Assy, Pad, 17.0d [432mm]	2
▲	28	377384	(000000-) Disk, Driver, Pad, W/ Face, 17.0d	1
▲	29	15539	(000000-) Hub, Drive, Brush, Disk, 3hole 5.8bc[6t]	1
▲	30	14838	(000000-) Spring, Wir, 0.16d, Brush Retaining	1
▲	31	24299	(000000-) Bracket, Retainer, Spring	1
▲	32	370095	(000000-) Device, Centering, Clip On, TI [Gf Pp]	1
▲	33	09198	(000000-) Screw, Pan, M4 X 0.7 X 35, Ss	3
▲	34	41579	(000000-) Washer, Flat, #08, Ss	3
▲	35	01684	(000000-) Washer, Flat, 0.27b 0.69d .05, Ss	1
▲	36	32746	(000000-) Screw, Pan, M6 X 1.0 X 35, Ss	3

**Fig. 4 - Main Frame Group**

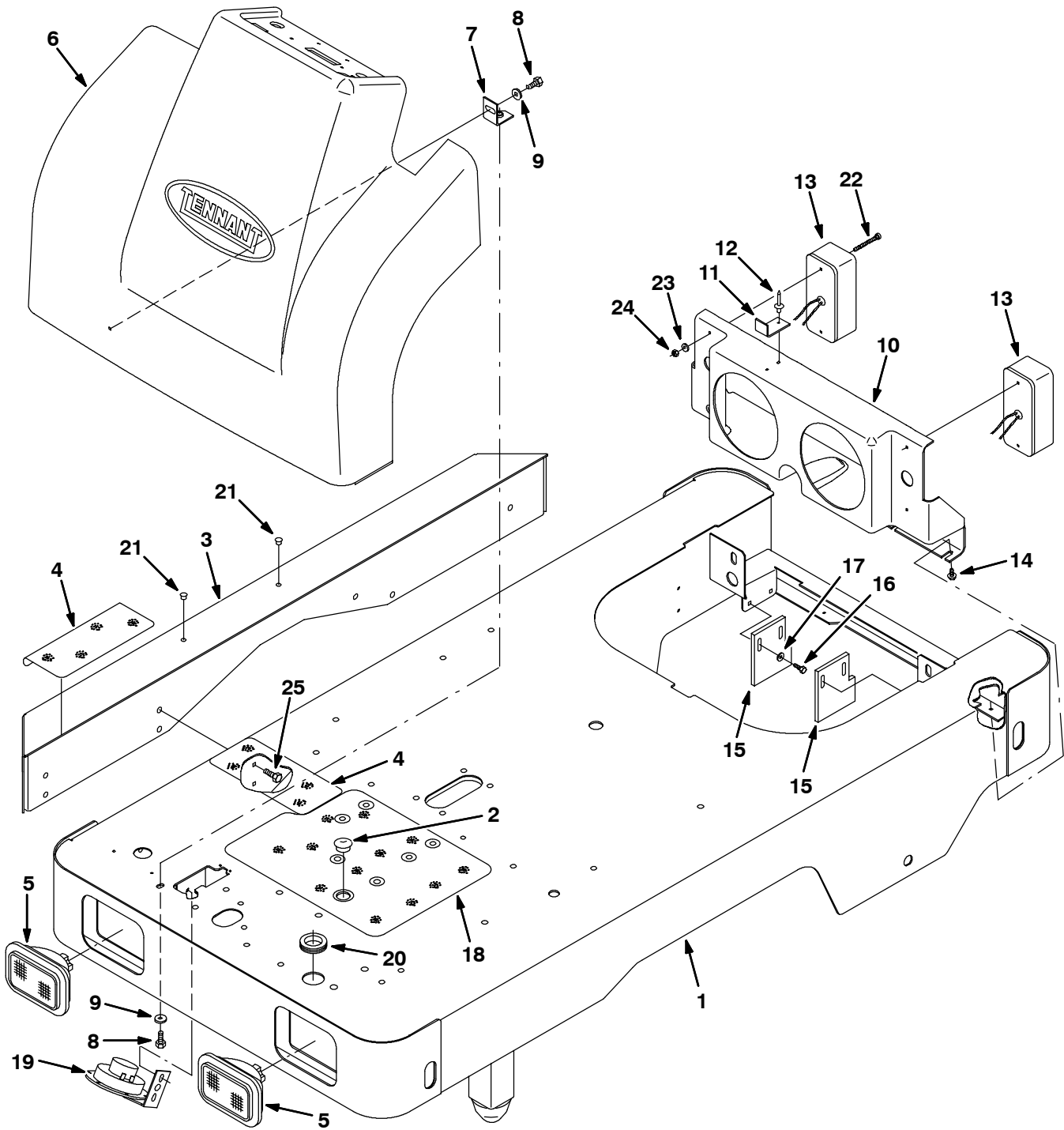


Fig. 4 - Main Frame Group

Ref.	Part No.	Serial Number	Description	Qty.	
1	399000	(000000-	) Frame Wldt, Main [7200]	1	
2	82727	(000000-	) Plug, Hole, Rnd, 0.88h .03-.12, Blk Nyl	1	
3	385606	(000000-	) Bumper Wldt, Side, Scb	1	
4	223350	(000000-	) Tread, Non-Skid, 04.5w 10.0l	2	
▽	5	223044	(000000-	) Headlight, 36vdc, 15cp 0.7a [0534242]	2
▲	360518	(000000-	) Lamp, 36vdc, .72a, 32cp [#Sp7]	1	
6	223254	(000000-	) Cover, Front, Oprtr Station [7200]	1	
7	223257	(000000-	) Bracket, Angle, Mtg	1	
8	09740	(000000-	) Screw, Hex, M8 X 1.25 X 20, Ss	2	
9	01685	(000000-	) Washer, Flat, 0.38b 0.88d .08, Ss	2	
▽	223534	(000000-	) Tray, Drip	1	
▲	10	223253	(000000-	) Tray, Drip	1
▲	11	223290	(000000-	) Bracket, Angle, Tray	1
▲	12	32548	(000000-	) Rivet, Blind, .188d X 0.45 X .62d, Alm	2
▽	13	223043	(000000-	) Taillight, 36vdc, 6.6 X 3.1	2
▲	223353	(000000-	) Lamp, 36vdc [Sp5-36v]	1	
14	74455	(000000-	) Screw, Hex, M6 X 1.0 X 12, Fmg	4	
15	223546	(000000-	) Skirt, Rbr, .31, 04.62w 03.87l, 02/ SI	2	
16	15678	(000000-	) Screw, Hex, M6 X 1.0 X 16, Ss	4	
17	41178	(000000-	) Washer, Flat, 0.25, Fendr	4	
18	369454	(000000-	) Tread, Non-Skid, 12.8w 15.0l	1	
19	369702	(000000-	) Horn, 36vdc, Dba	1	
20	10632-13	(000000-	) Grommet, Rbr, 1.50id, F/1.8h, .19 Matl	1	
21	01314	(000000-	) Plug, Hole, Rnd, 0.38h .03-.12, Blk Nyl	2	
22	54093	(000000-	) Screw, Chz, M5 X 0.8 X 60, 4.8	4	
23	01683	(000000-	) Washer, Flat, 0.22b 0.50d .05, Ss [#10]	4	
24	09739	(000000-	) Nut, Hex, Lock, M5 X 0.80, NI, Ss	4	
25	16931	(000000-	) Screw, Hex, M8 X 1.25 X 20, 8.8	6	

**Fig. 5 - Seat Group**

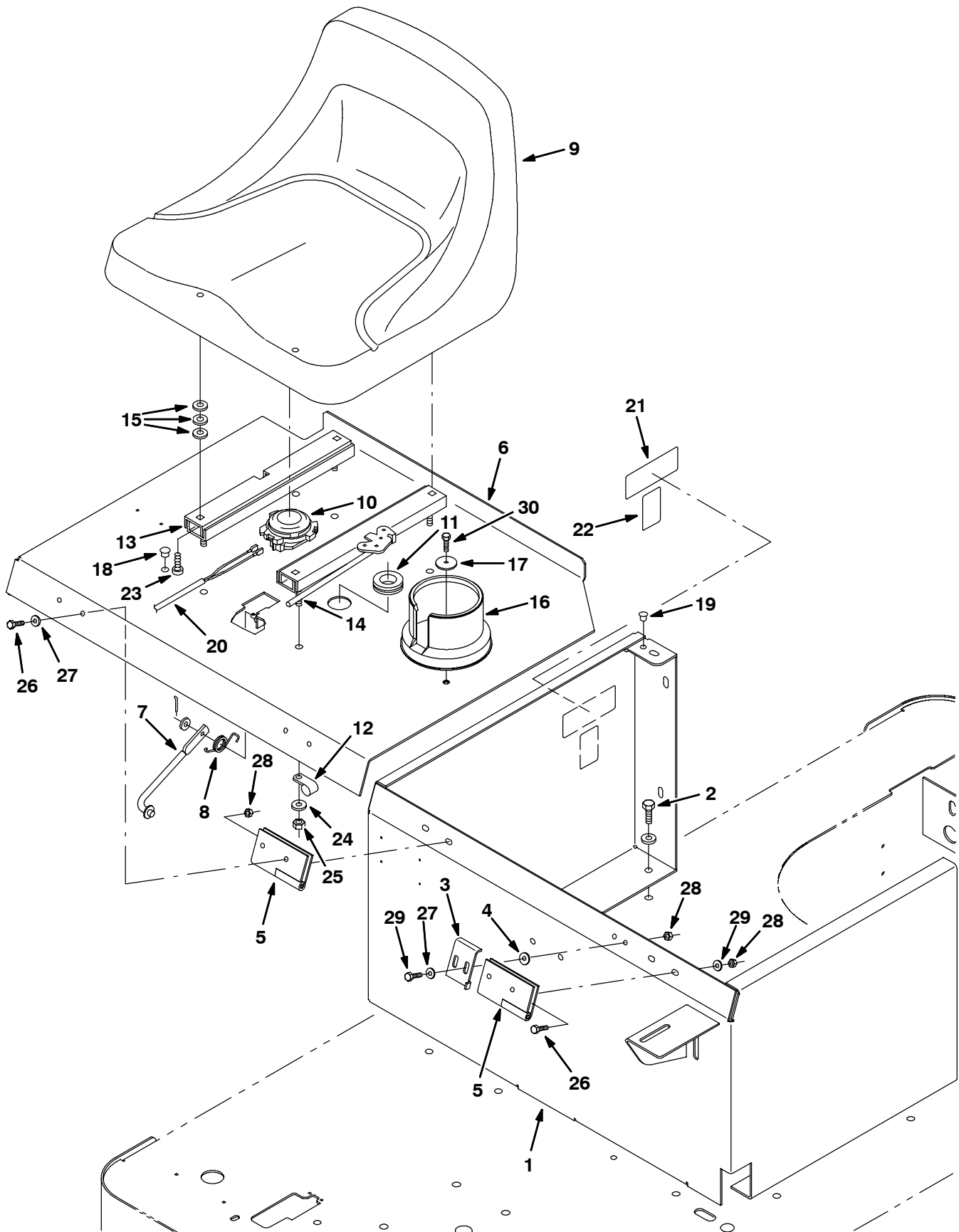




Fig. 5 - Seat Group

Ref.	Part No.	Serial Number	Description	Qty.
1	223650	(000000-	) Support, Seat	1
2	09740	(000000-	) Screw, Hex, M8 X 1.25 X 20, Ss	9
3	223249	(000000-	) Bracket, Lock, Seat	1
4	16236	(000000-	) Washer, Flat, 0.26b 0.72d .06, Nyl	2
5	223248	(000000-	) Hinge, .25pin .12 4.0w 04.0l, 4/0.30h	2
6	223549	(000000-	) Support, Seat, W/ Label	1
7	223080	(000000-	) Arm Wldt, Safety, Sppt, Seat, .38d 06.5d	1
8	59009	(000000-	) Spring, Tors, 0.75id .06wir 02.8coil	1
9	375411	(000000-	) Seat, Std [Michigan, Model V-1500]	1
10	223078	(000000-	) Switch, Seat, No [Delta 6500]	1
11	10632-14	(000000-	) Grommet, Rbr, 1.00id, F/1.4h, .12 Matl	1
12	67767	(000000-	) Clamp, Cable, Stl, 0.69d X 0.62w, 1hole	1
13	360369	(000000-	) Track, Slide, Seat Adj, 12.5l	1
14	360370	(000000-	) Track, Slide, Seat Adj, 12.5l, W/Latch	1
15	69461	(000000-	) Washer, Flat, 0.38b 0.88d .12, Stl, PI	12
16	223599	(000000-	) Cup Holder, Rwk	1
17	41178	(000000-	) Washer, Flat, 0.25, Fendr	1
18	33807	(000000-	) Plug, Hole, Rnd, 0.44h .03-.12, Blk Nyl	2
19	33806	(000000-	) Plug, Hole, Rnd, 0.38h .03-.12, Nyl[Wht]	1
20	223330	(000000-	) Harness, Switch, Seat [7200]	1
21	1005416	(000000-	) Label [Fast]	1
22	1015012	(000000-	) Label [Nfsi Certification]	1
23	25537	(000000-	) Screw, Pan, .31-18 X 0.75, G2	4
24	32491	(000000-	) Washer, Flat, 0.31, Std	4
25	32983	(000000-	) Nut, Hex, Lock, .31-18, NI	4
26	06942	(000000-	) Screw, Hex, M6 X 1.0 X 16, 8.8	8
27	32483	(000000-	) Washer, Flat, 0.25, Sae	10
28	08708	(000000-	) Nut, Hex, Lock, M6 X 1.00, NI	10
29	06943	(000000-	) Screw, Hex, M6 X 1.0 X 20, 8.8	2
30	06944	(000000-	) Screw, Hex, M6 X 1.0 X 25, 8.8	1

Fig. 6 - Steering Group

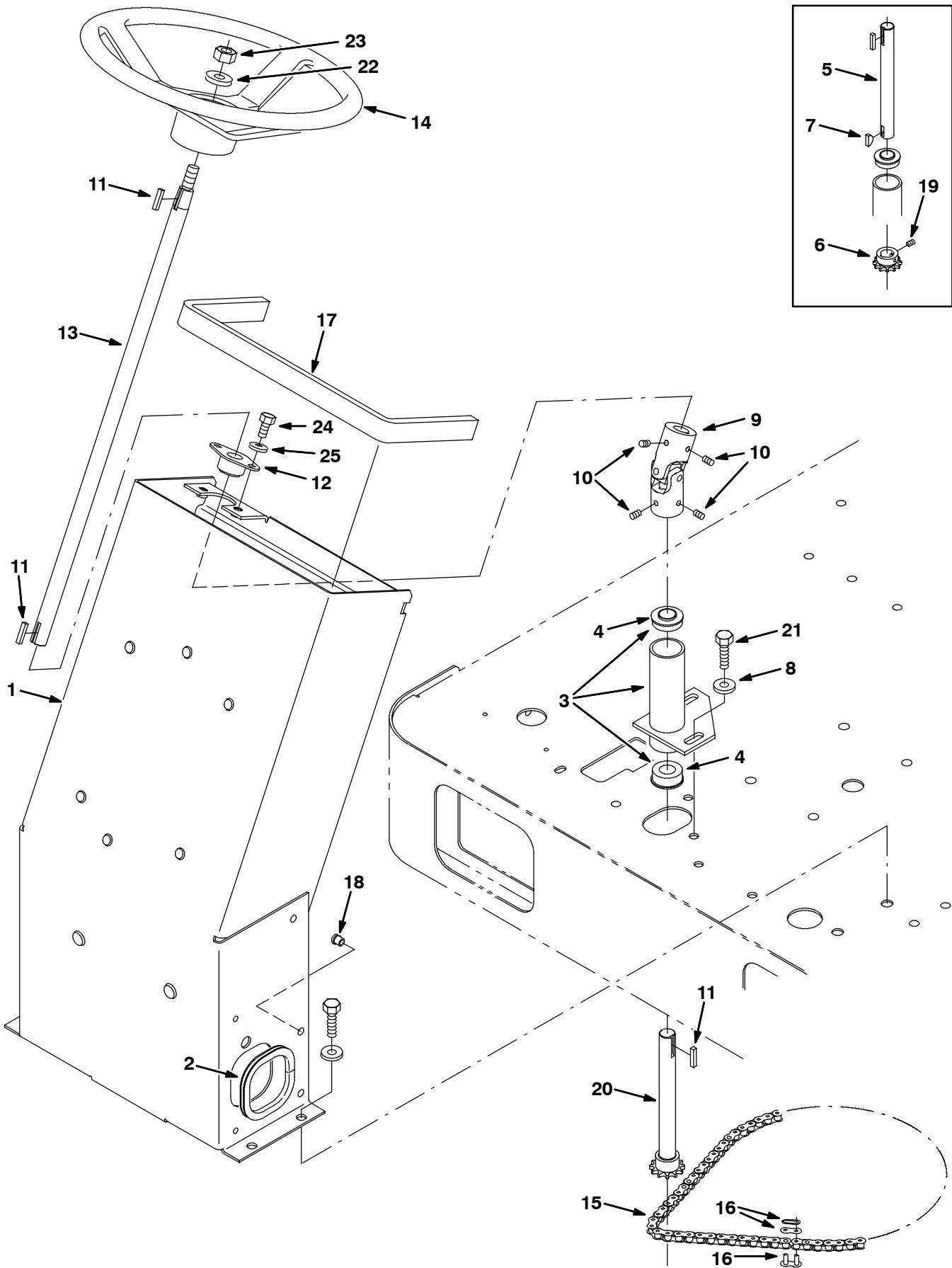


Fig. 6 - Steering Group

Ref.	Part No.	Serial Number	Description	Qty.
	1	223099	(000000- ) Channel Wldt, Front	1
	2	62595-4	(000000- ) Molding, Trim, Pvc, .08-.11 10.0l	1
▽	3	223603	(000000- ) Housing Assy, Steering [7200]	1
▲	4	223073	(000000- ) Bearing, Ball, 0.75b 1.38d 0.50w	2
	5	223068	(000000-008551 ) Shaft, Steering, Lower Repby 391401	1
	6	223070	(000000-008551 ) Sprocket, #35, 12tooth, 0.75b 0.75w	1
	7	00500-10	(000000-008551 ) Key, Woodruff, 0.19 0.75 [Asa#0606]	1
	8	41187	(000000- ) Washer, Flat, Belleville, .38	2
	9	223072	(000000- ) Joint, U, 0.75id	1
	10	46820	(000000- ) Screw, Set, .31-18 X 0.38, NI	4
	11	00912	(000000- ) Key, Sq, 0.19 X 0.19, 1.00l	3
	12	223065	(000000- ) Bearing, Flng, 2hole, 0.75b [Nyl]	1
	13	223061	(000000- ) Shaft, Steering, Upper, Mach, .75d 24.1l	1
	14	1036490	(000000- ) Wheel, Steering	1
	15	223074	(000000- ) Chain, Rlr, #35, 104 Pitches	1
	16	14799	(000000- ) Link, Chain, Rlr, #35	1
	17	223508	(000000- ) Seal, Rbr, Clsd, 0.50, 1.0w 23.0l Adh	1
	18	33806	(000000- ) Plug, Hole, Rnd, 0.38h .03-.12, Nyl[Wht]	2
	19	39326	(000000-008551 ) Screw, Set, .25-20 X 0.25, Al	2
	20	391401	(008552- ) Sprocket, #35, 12tooth, W /.75d Shaft	1
	21	03192	(000000- ) Screw, Hex, M10 X 1.5 X 30, 8.8	2
	22	32493	(000000- ) Washer, Flat, 0.50, Std	1
	23	08711	(000000- ) Nut, Hex, Lock, M12 X 1.75,NI	1
	24	16735	(000000- ) Screw, Hex, M8 X 1.25 X 16, 8.8	2
	25	32491	(000000- ) Washer, Flat, 0.31, Std	2

Fig. 7 - Instrument Panel Group

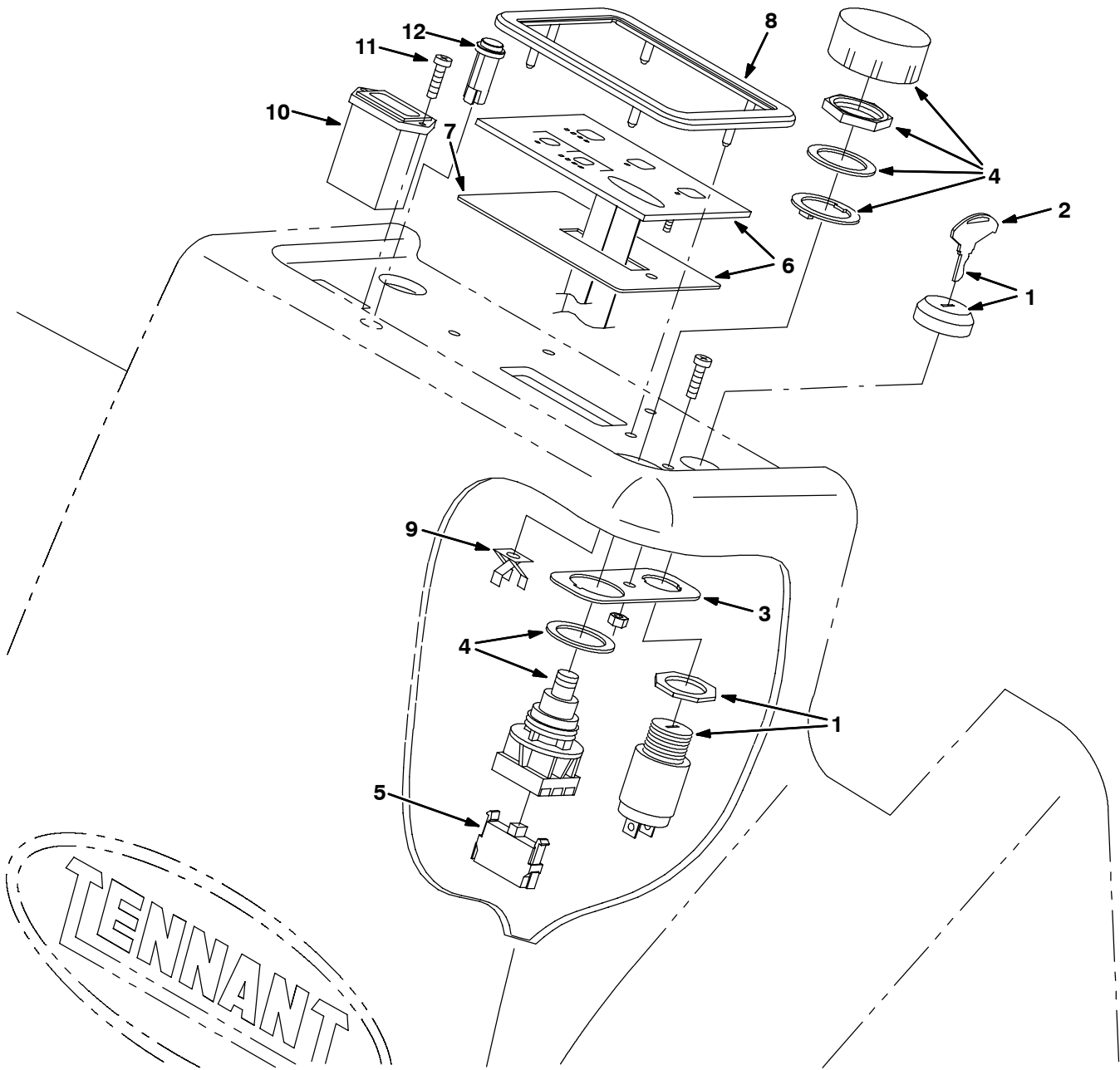


Fig. 7 - Instrument Panel Group

	Ref.	Part No.	Serial Number	Description	Qty.
▽	1	361076	(000000-	) Switch, Ignition [Merit Gmbh]	1
▲	2	361144	(000000-	) Key, Ignition, Sgl	1
	3	223285	(000000-	) Plate, Mtg, Switch	1
	4	78553	(000000-	) Switch, Push	1
	5	65665	(000000-	) Switch, Contact, 12vdc 10a Nc	1
▽	6	223045	(000000-	) Panel Assy, Touch	1
▲	7	223332	(000000-	) Gasket, Panl, Touch	1
	8	16906	(000000-	) Bezel, Panl, Touch	1
	9	05280	(000000-	) Clip, Stud	6
	10	377433	(000000-	) Gauge, Hourmeter, 12-60vdc, Analog [10k]	1
	11	222267	(000000-	) Screw, Pan, #06-20 X 0.50, Fmg, [Ab]	2
	12	374122	(010515-	) Light, Indicator, 36vdc, 0.5d, Red	1

**Fig. 8 - Electrical Panel Group**

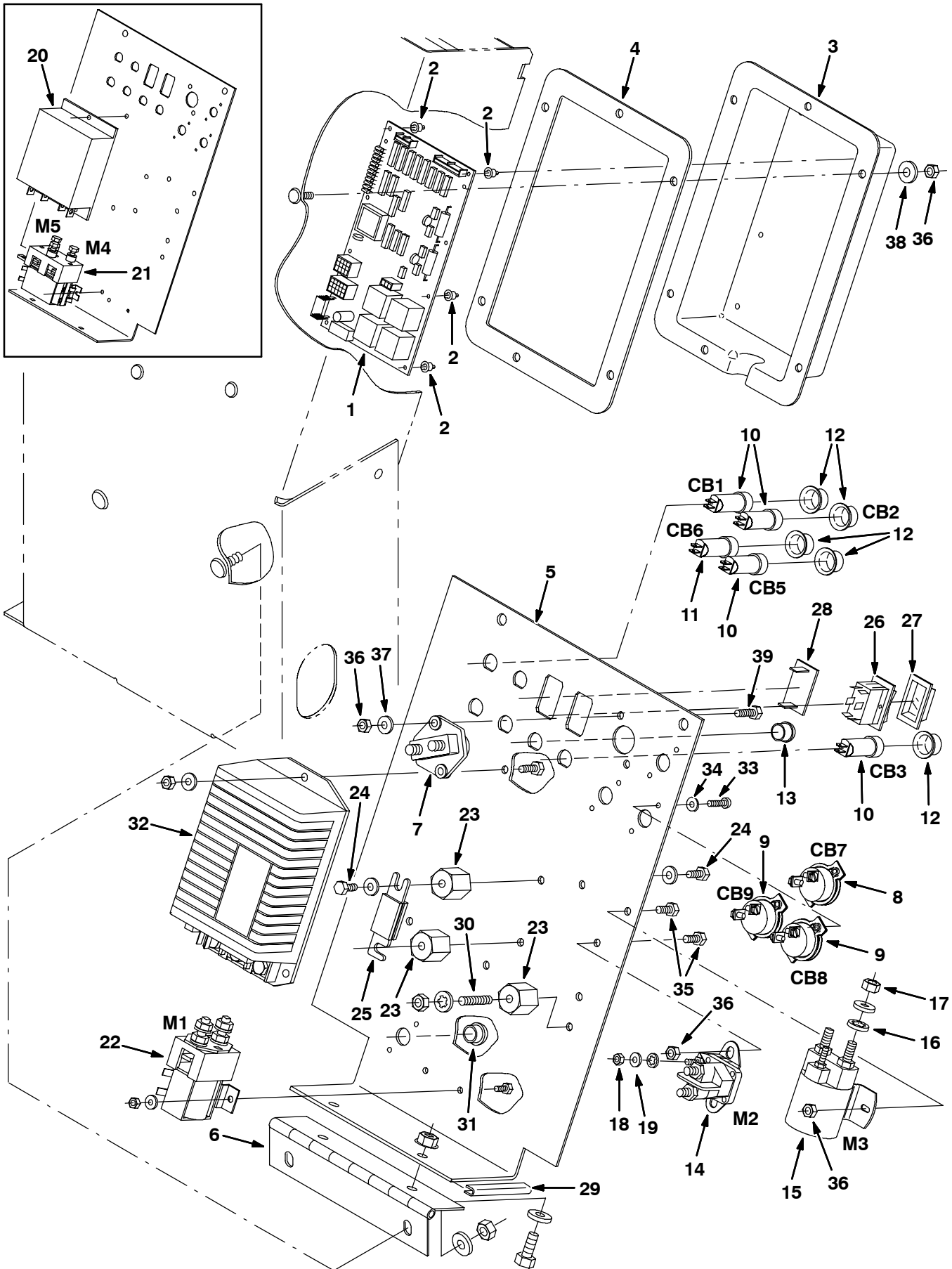


Fig. 8 - Electrical Panel Group

Ref.	Part No.	Serial Number	Description	Qty.
	1	370173	(000000-008237 ) Controller Kit, Mach, Replmt [7200]	1
▽	1	393057	(008238- ) Controller Kit, W/O Pre-Sweep, Replmt	1
▲		069760639	(008238- ) Fuse, 015a, Slow Blow [3ag]	1
▲		1015150	(008238- ) Memory, Flash [7200 Sepex]	1
▽	1	393058	(008300- ) Controller Kit, W/ Pre-Sweep, Replmt	1
▲		069760639	(008300- ) Fuse, 015a, Slow Blow [3ag]	1
▲		1015150	(008300- ) Memory, Flash [7200 Sepex]	1
	2	222493	(000000- ) Clip, Circuitboard	6
	3	223046	(000000- ) Cover, Ele	1
	4	223047	(000000- ) Gasket, Cover	1
	5	223550	(000000-008237 ) Plate, Ele, W/ Label	1
	5	392248	(008238- ) Panel, Ele, W/ Label	1
	6	223058	(000000- ) Hinge, .25pin .07 3.5w 08.0l, 4/0.38h	1
	7	44078	(000000- ) Switch, Push, Spst, No	1
	8	222296	(000000- ) Circuitbreaker, 20.0a, Resetable	1
	9	222297	(000000- ) Circuitbreaker, 25.0a, Resetable	2
	10	57164	(000000- ) Circuitbreaker, 10.0a, Resetable	4
	11	57803	(000000- ) Circuitbreaker, 15.0a, Resetable	1
	12	57751	(000000- ) Boot, Dome, .72id .72l, Clear	5
	13	57167	(000000- ) Plug, Hole, Rnd, 0.62h .03-.12, Blk Nyl	1
	14	386810	(000000- ) Contactor, 36vdc, 100a, Sp, No	1
	15	45405	(000000- ) Relay, 36vdc, 100a, Spdt No [White]	1
	16	32984	(000000- ) Washer, Lock, Int, 0.31	4
	17	20170	(000000- ) Nut, Hex, Jam, .31-24	4
	18	01713	(000000- ) Nut, Hex, Std, #10-32, 2	4
	19	19324	(000000- ) Washer, Flat, #10, Sae	4
	20	223049	(000000-008237 ) Controller, Motor, 36vdc 100a [Curt1207]	1
	21	397608	(000000-008237 ) Relay, 36vdc, 150a, No [Curtis]	1
	22	397609	(000000- ) Contactor, 36vdc, No	1
	23	76062	(000000- ) Stand-Off, Wir, M6, Insulator, Panel	3
	24	58670	(000000- ) Screw, Hex, .25-20 X 0.50, NI	5
	25	87318	(000000- ) Fuse, 080a 125volt 0.88 X 3.2l	1
	26	65561	(000000- ) Switch, Rocker, Spst, On / Off	1
	27	57807	(000000- ) Cover, Seal, Rocker Switch	1
	28	57772	(000000- ) Plug, Hole, Rt, 1.45 X 0.83, Blk Nyl	1
	29	50850	(000000- ) Molding, Trim, Pvc, .08-.11 03.2l	1
	30	41702	(000000- ) Rod, Thrd, Full, .25-20 01.5l	1
	31	57167	(008238- ) Plug, Hole, Rnd, 0.62h .03-.12, Blk Nyl	1
	32	374260	(008238- ) Controller, Motor, 36vdc 090a	1
	33	25006	(000000- ) Screw, Pan, #08-32 X 0.88, G1	6
	34	19065	(000000- ) Washer, Flat, #08	6
	35	06942	(000000- ) Screw, Hex, M6 X 1.0 X 16, 8.8	4
	36	08708	(000000- ) Nut, Hex, Lock, M6 X 1.00, NI	12
	37	19066	(000000- ) Washer, Flat, #10	10
	38	32490	(000000- ) Washer, Flat, 0.25, Std	6
	39	06944	(000000- ) Screw, Hex, M6 X 1.0 X 25, 8.8	2

Fig. 9 - Front Drive Wheel Group

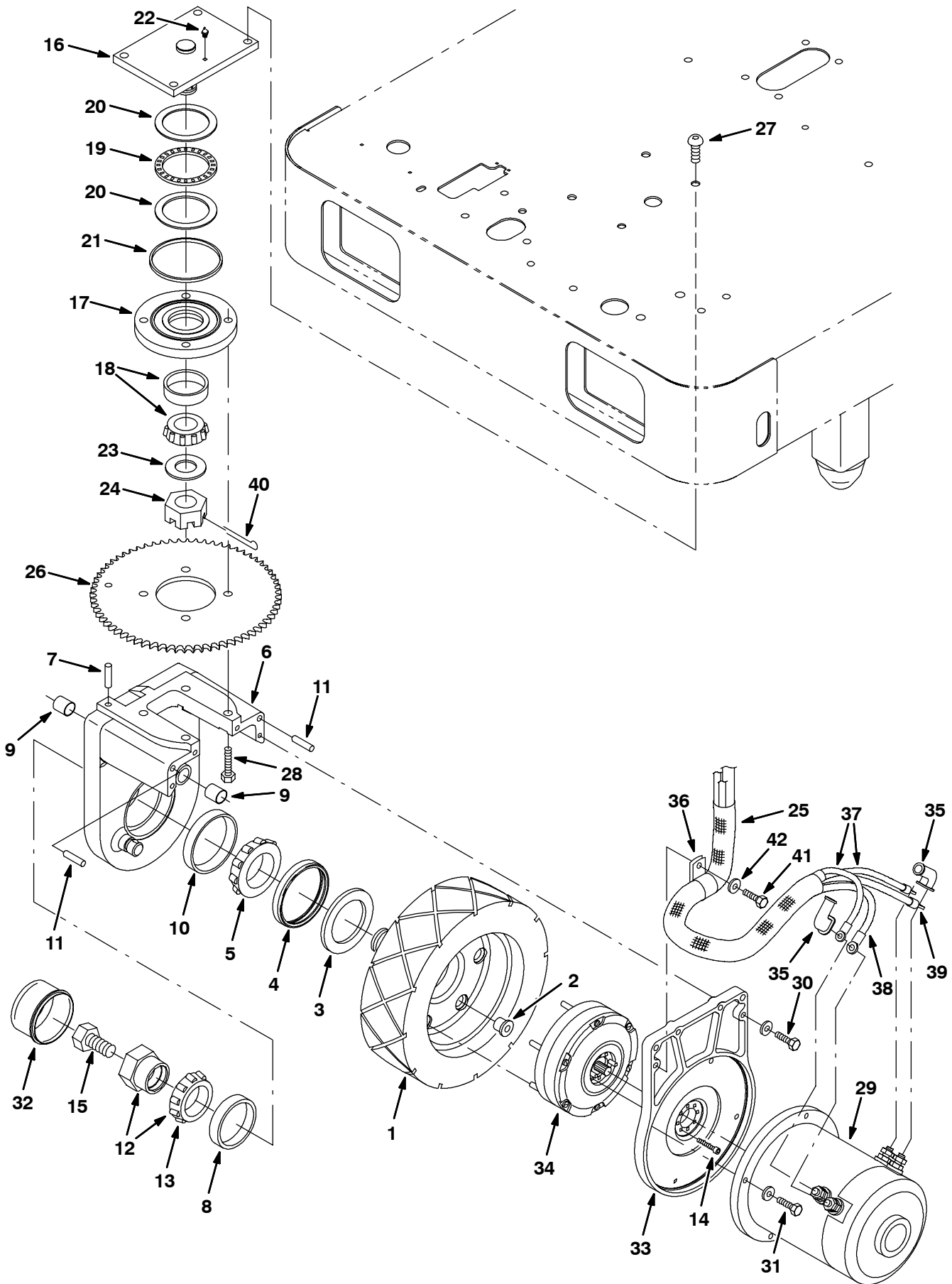




Fig. 9 - Front Drive Wheel Group

	Ref.	Part No.	Serial Number	Description	Qty.
1048380	▽	<del>223559</del>	(000000-	) Tire Assy, Solid, 12.0x4.0, W/ Isolator	1
1036685	▲	1 <del>223196</del>	(000000-	) Tire Assy, Solid, 12.0x4.0 2.3d Hub [Nm]	1
	▲	2 223181	(000000-	) Isolator, Vib, Bshg, 1.0d 0.8l .4b 0.75h	6
	▲	3 223193	(000000-	) Washer, Flat, 2.27b 4.06d .25, Stl, Oil	1
	▲	4 223631	(000000-	) Seal, Oil, 0.56w 4.1d 3.6b	1
	▲	5 223168	(000000-	) Bearing, Cone, 2.25b 0.86w	1
	▽	6 223150	(000000-	) Housing Assy, Sppt, Front Drive Wheel	1
	▲	7 56106	(000000-	) Pin, Dowel, 0.5002d X 1.50l	1
	▲	8 223169	(000000-	) Bearing, Cup, 3.23d 0.67w	1
	▲	9 360271	(000000-	) Bushing, Sleeve, 0.78b 0.86d 0.93l, Bnz	2
	▲	10 223167	(000000-	) Bearing, Cup, 3.81d 0.63w	1
	▲	11 223610	(000000-	) Pin, Dowel, 0.3752d X 2.00l, Ss	2
	▽	12 223151	(000000-	) Bearing Assy, Cone, W/ Sleeve	1
	▲	13 223170	(000000-	) Bearing, Cone, 1.97b 0.85w	1
		14 57824	(000000-	) Screw, Soc, M6 X 1.00 X 20, 12.9, NI	6
		15 223162	(000000-	) Screw, Hex, M20 X 2.5 X 35, 8.8, NI	1
	▽	223152	(000000-	) Caster Assy	1
	▲	16 223158	(000000-	) Plate Wldt, Swivel	1
	▲	17 223157	(000000-	) Housing, Brg, Wheel, Front, Swivel	1
	▲▽	374299	(000000-	) Bearing Kit, Wheel, Front Drive, Ci	1
	▲▲	18 49225	(000000-	) Bearing Assy, 2.33d 1.25b Cup / Cone Kit	1
	▲▲	19 223154	(000000-	) Bearing, Thrust, 2.75b 3.63d 0.13w	1
	▲▲	20 223161	(000000-	) Washer, Thrust, 2.75b 3.62d 0.03	2
	▲▲	21 223160	(000000-	) Seal, Felt, 0.19th, 4.3d 04.0h	1
	▲	22 07259	(000000-	) Fitting, Grease, Str Pm04 .47l	1
	▲	23 223153	(000000-	) Washer, Flat, 1.27b 2.38d .08, Crs, PI	1
	▲	24 223159	(000000-	) Nut, Hex, Slted, 1.25-12	1
		25 223545	(000000-	) Sleeve, Nyl, #17 30.0l	1
		26 385650	(000000-	) Sprocket, #35, 92tooth, 3.625b	1
		27 223197	(000000-	) Screw, Btn, M12 X 1.75 X 30, 10.9 NI	4
		28 223164	(000000-	) Screw, Hex, M12 X 1.75 X 50, NI	4
		29 223057	(000000-008237	) Motor, Ele, 36vdc 1400rpm 1.50hp (See Breakdowns)	1
		29 383699	(008238-	) Motor, Ele, 36vdc 1400rpm 1.50hp (See Breakdowns)	1
		30 223163	(000000-	) Screw, Hex, M8 X 1.25 X 30, 8.8, NI	4
		31 12333	(000000-	) Screw, Hex, M8 X 1.25 X 25, Ss, NI	4
		32 223166	(000000-	) Cap, Hub, Dust, 3.22d 2.13l	1
		33 223208	(000000-	) Plate, Mtg	1
		34 223171	(000000-	) Gearbox, Str, 11:1ratio	1
		35 02076	(000000-	) Boot, 90deg .50id .57id X .84id 1.0l, Blk	4
		36 58366	(000000-	) Clamp, Cable, Stl, 1.25d X 1.00w, 1hole	1
		37 383707	(008238-	) Harness, Motor	1
		38 383712	(008238-	) Cable, 06ga 48.0l Blk .34ring /.34ring	1
		39 383713	(008238-	) Cable, 06ga 46.0l Blk .34ring /.34ring	1
		40 08171	)	Pin, Cotter, .156 X 2.00	1
		41 59658	)	Screw, Hex, M8 X 1.25 X 35, Ss, NI	1
		42 32491	)	Washer, Flat, 0.31, Std	1

Fig. 10 - Brake Group

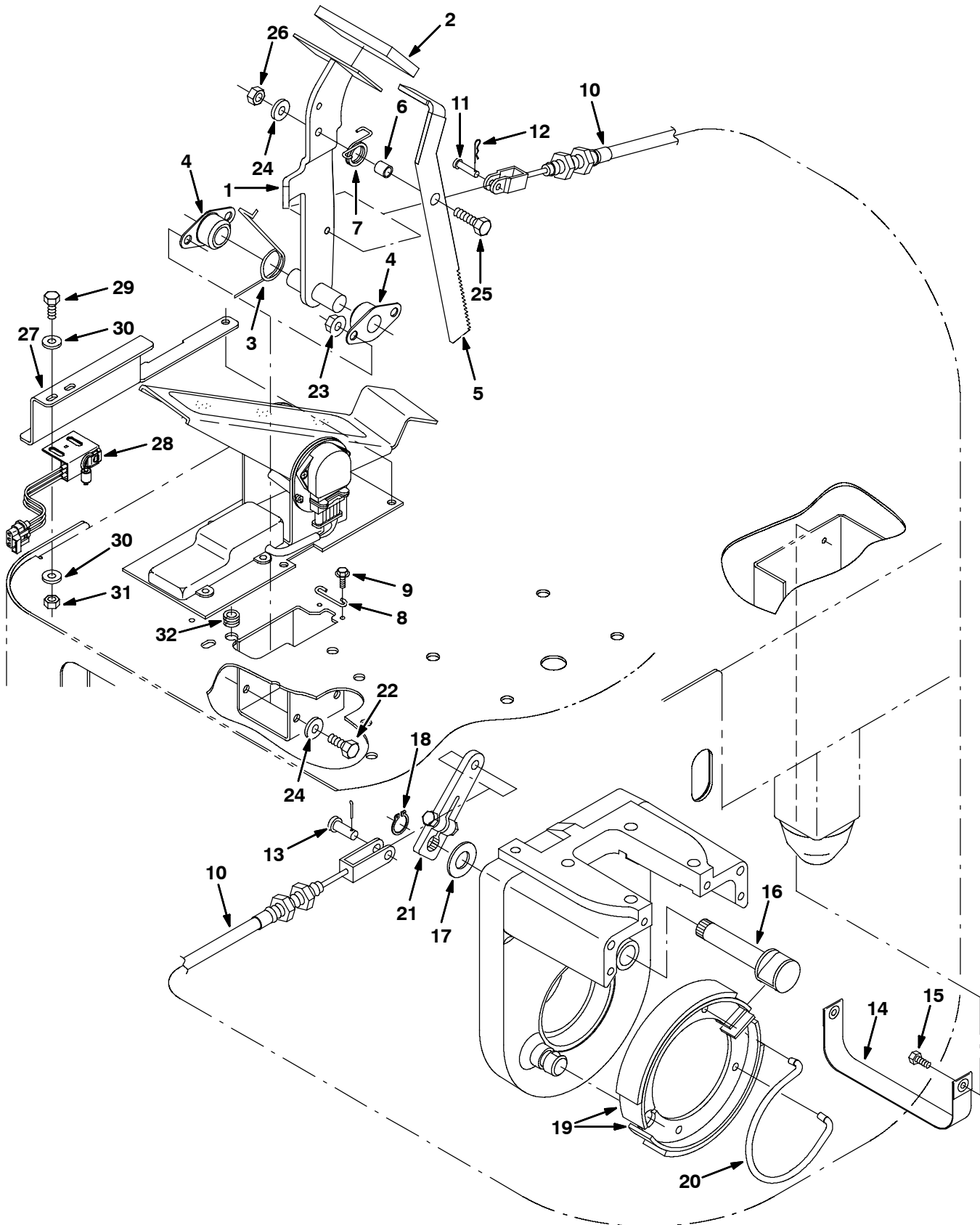


Fig. 10 - Brake Group

Ref.	Part No.	Serial Number	Description	Qty.
1	223201	(000000-010514 )	Pedal Wldt, Brake	1
1	1023123	(010515-	Pedal Wldt, Brake [7200]	1
2	51109	(000000-	Pad, Pedal, Brake, 3.96l 2.36w 0.75	1
3	54607	(000000-	Spring, Tors, 1.13id .12wir 2.3coil, Rh	1
4	223065	(000000-	Bearing, Flng, 2hole, 0.75b [Nyl]	2
5	22731	(000000-	Pedal, Brake, Lock [Ce]	1
6	46563	(000000-	Bushing, Sleeve, 0.37b 0.50d 0.50l, Oib	1
7	59009	(000000-	Spring, Tors, 0.75id .06wir 02.8coil	1
8	97031	(000000-	Spring, Wir, 0.08d, Parking Brake	1
9	223198	(000000-	Screw, Hex, M5 X 0.8 X 10, Fmg	2
10	1024331	(000000-	Cable, Pull, 061.0l, Clevis / Clevis	1
11	14605	(000000-	Pin, Clevis, 0.25d X 0.75l	1
12	08085	(000000-	Pin, Cotter, Hair, 0.31d .058 Wir	1
13	09088	(000000-	Pin, Clevis, 0.37d X 1.00l	1
14	223209	(000000-	Strap, Nyl, 1.00w 11.3l	1
15	74455	(000000-	Screw, Hex, M6 X 1.0 X 12, Fmg	2
16	223186	(000000-	Cam, Brake	1
17	360273	(000000-	Washer, Flat, M21.0b X 37d X 3	1
18	360274	(000000-	Retainer, Ring, Brake	1
19	360275	(000000-	Shoe, Brake, 180 X 30mm	2
20	360276	(000000-	Spring, Wir, 0.25d, Brake Return	1
21	223204	(000000-	Lever, Brake, 102mml	1
22	16931	(000000-	Screw, Hex, M8 X 1.25 X 20, 8.8	4
23	07791	(000000-	Nut, Hex, Flng, M8 X 1.25	4
24	32491	(000000-	Washer, Flat, 0.31, Std	5
25	06955	(000000-	Screw, Hex, M8 X 1.25 X 35, 8.8	1
26	08709	(000000-	Nut, Hex, Lock, M8 X 1.25, NI	1
27	1023044	(010515-	Bracket, Mtg, Brake Pedal Switch	1
28	1023232	(010515-	Switch, Snap, 15a Spdt, Rlr	1
29	06942	(010515-	Screw, Hex, M6 X 1.0 X 16, 8.8	2
30	32490	(010515-	Washer, Flat, 0.25, Std	4
31	08708	(010515-	Nut, Hex, Lock, M6 X 1.00, NI	2
32	10632-12	(010515-	Grommet, Rbr, 0.38id, F/0.5h, .12 Matl	1

Fig. 11 - Rear Wheel Group

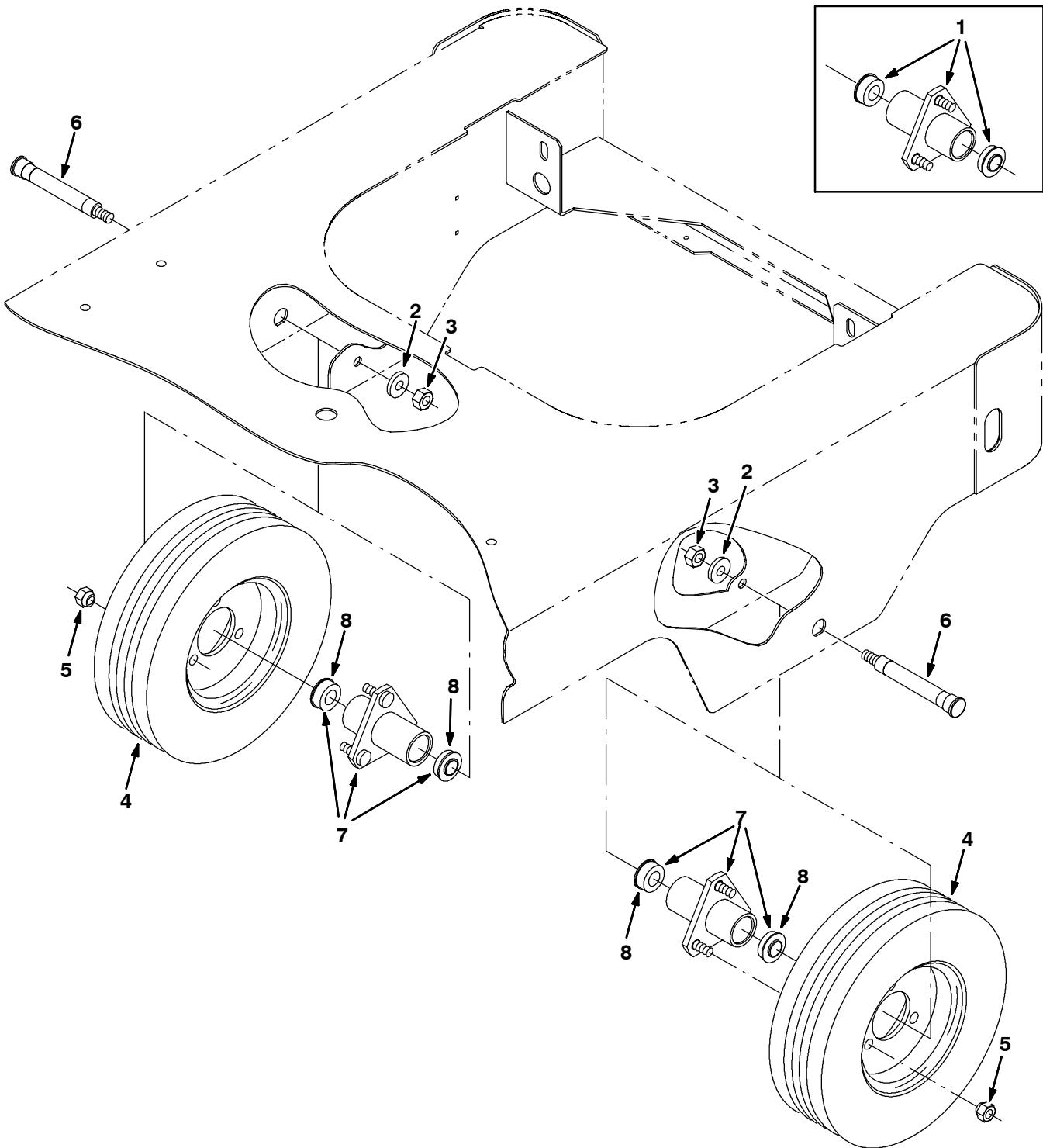


Fig. 11 - Rear Wheel Group

Ref.	Part No.	Serial Number	Description	Qty.	
1	369323	(000000-005375 )	Housing Kit, Wheel, Replmt [7200]	1	
2	33925	(000000-	Washer, Flat, M12, Ss	2	
3	09741	(000000-	Nut, Hex, Lock, M12 X 1.75, NI, Ss	2	
4	369345	(000000-	Tire Assy, Solid, 12.3x3.5 3.5bc/3bolt	2	
5	11109	(000000-	Nut, Wheel, .44-20 X 60 Angle	6	
6	223142	(000000-	Shaft, Axle, 0.8d 06.1l	2	
▽	7	369403	(005376-	Housing Assy, Wheel, Rear [7200]	2
▲	8	369319	(005376-	Bearing, Ball, 0.75b 1.57d 0.47w	2

Fig. 12 - Directional Pedal Group

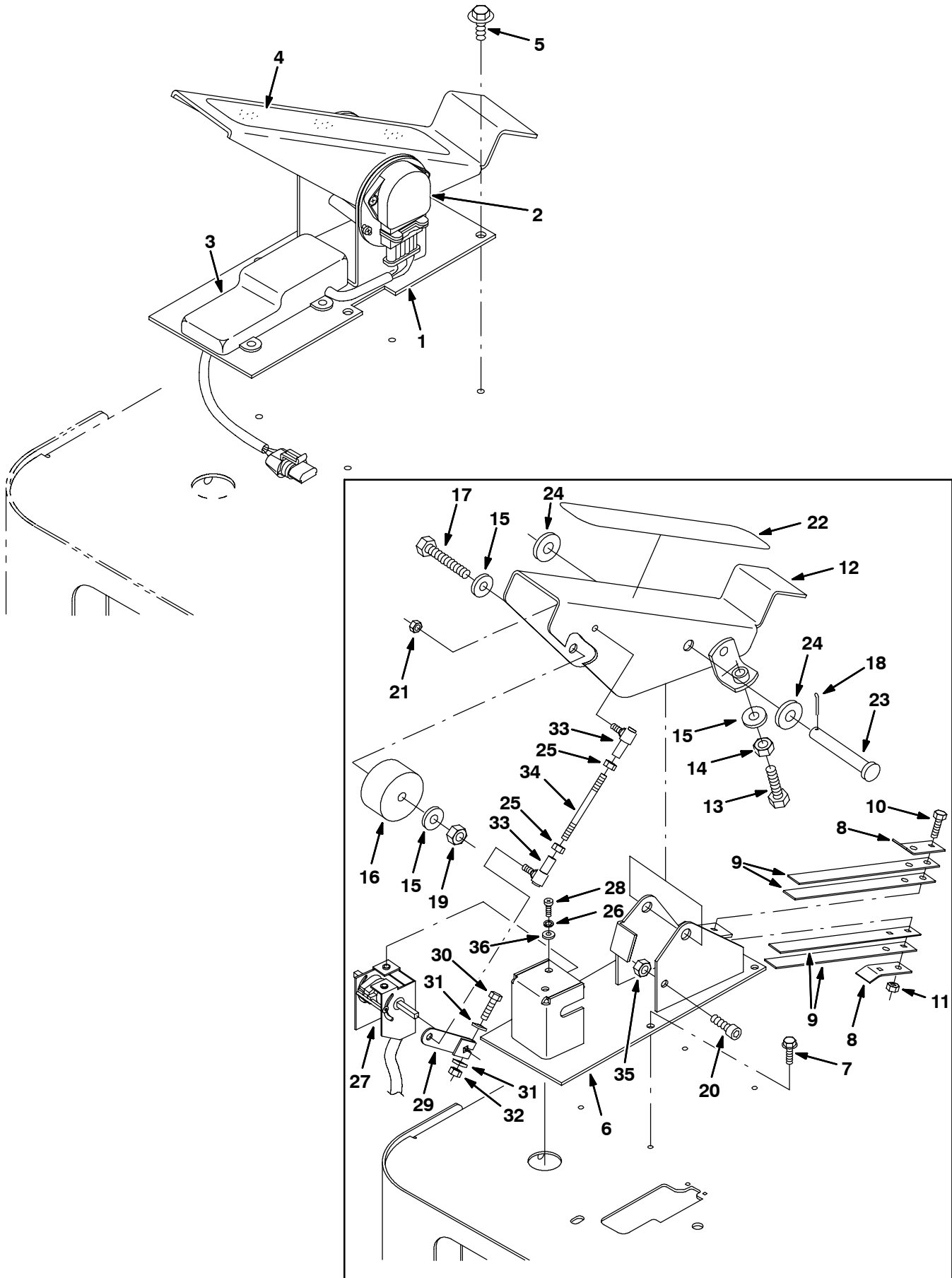


Fig. 12 - Directional Pedal Group

	Ref.	Part No.	Serial Number	Description	Qty.
▽	1	387700	(008519-	) Pedal Assy, Propel, Ele Mach	1
▲	2	385726	(008519-	) Sensor, Position, Pedal	1
▲	3	385727	(008519-	) Circuitboard, Pedal	1
▲	4	82839	(008519-	) Tread, Non-Skid, 02.2w 11.5l	1
	5	74455	(008519-	) Screw, Hex, M6 X 1.0 X 12, Fmg	4
	6	223093	(000000-008518	) Plate Wldt, Cntrl, Dir	1
	7	74455	(000000-008518	) Screw, Hex, M6 X 1.0 X 12, Fmg	4
	8	223601	(000000-008518	) Retainer, Spring, .06 .88w 2/.3h	2
	9	223600	(000000-008518	) Strip, Stl, 0.05 00.75w 07.80l	4
	10	06944	(000000-008518	) Screw, Hex, M6 X 1.0 X 25, 8.8	2
	11	08708	(000000-008518	) Nut, Hex, Lock, M6 X 1.00, NI	2
	12	223320	(000000-008518	) Pedal Wldt, Propel	1
	13	39284	(000000-008518	) Screw, Hex, M10 X 1.5 X 35, 8.8	1
	14	39312	(000000-008518	) Nut, Hex, Std, M10 X 1.50	1
	15	32485	(000000-008518	) Washer, Flat, 0.38, Sae	3
	16	87725	(000000-008518	) Spacer, Plstc, 0.41b 2.25d 1.30l, Nyl	1
	17	06963	(000000-008518	) Screw, Hex, M10 X 1.5 X 60, 8.8	1
	18	08182	(000000-008518	) Pin, Cotter, .125 X 1.00	1
	19	41430	(000000-008518	) Nut, Hex, Lock, M10 X 1.5, NI	1
	20	49609	(000000-008518	) Screw, Soc, M8 X 1.25 X 16, 12.9	2
	21	13513	(000000-008518	) Nut, Hex, Lock, .25-28, NI	2
	22	82839	(000000-008518	) Tread, Non-Skid, 02.2w 11.5l	1
	23	06474A	(000000-008518	) Pin, Clevis, 0.50d X 3.50l	1
	24	32486	(000000-008518	) Washer, Flat, 0.50, Sae	2
	25	01714	(000000-008518	) Nut, Hex, Std, .25-28	2
	26	32980	(000000-008518	) Washer, Lock, Int, #10	2
	27	223094	(000000-008518	) Controller, Speed, 31-46vdc [Curtis]	1
	28	06931	(000000-008518	) Screw, Pan, M5 X 0.80 X 6, 4.8	2
	29	223239	(000000-008518	) Arm, Cntrl, Throttle, Electronic	1
	30	25047	(000000-008518	) Screw, Hex, .25-20 X 1.25, G5	1
	31	32490	(000000-008518	) Washer, Flat, 0.25, Std	2
	32	32981	(000000-008518	) Nut, Hex, Lock, .25-20, NI	1
	33	14601	(000000-008518	) Balljoint, .25-28 Fem, .25-28 Mal	2
	34	223090	(000000-008518	) Rod, Thrd, 2 End, .25-28 04.4l	1
	35	08709	(000000-008518	) Nut, Hex, Lock, M8 X 1.25, NI	2
	36	01683	(000000-008518	) Washer, Flat, 0.22b 0.50d .05, Ss [#10]	2

Fig. 13 - Scrub Head Lift Group

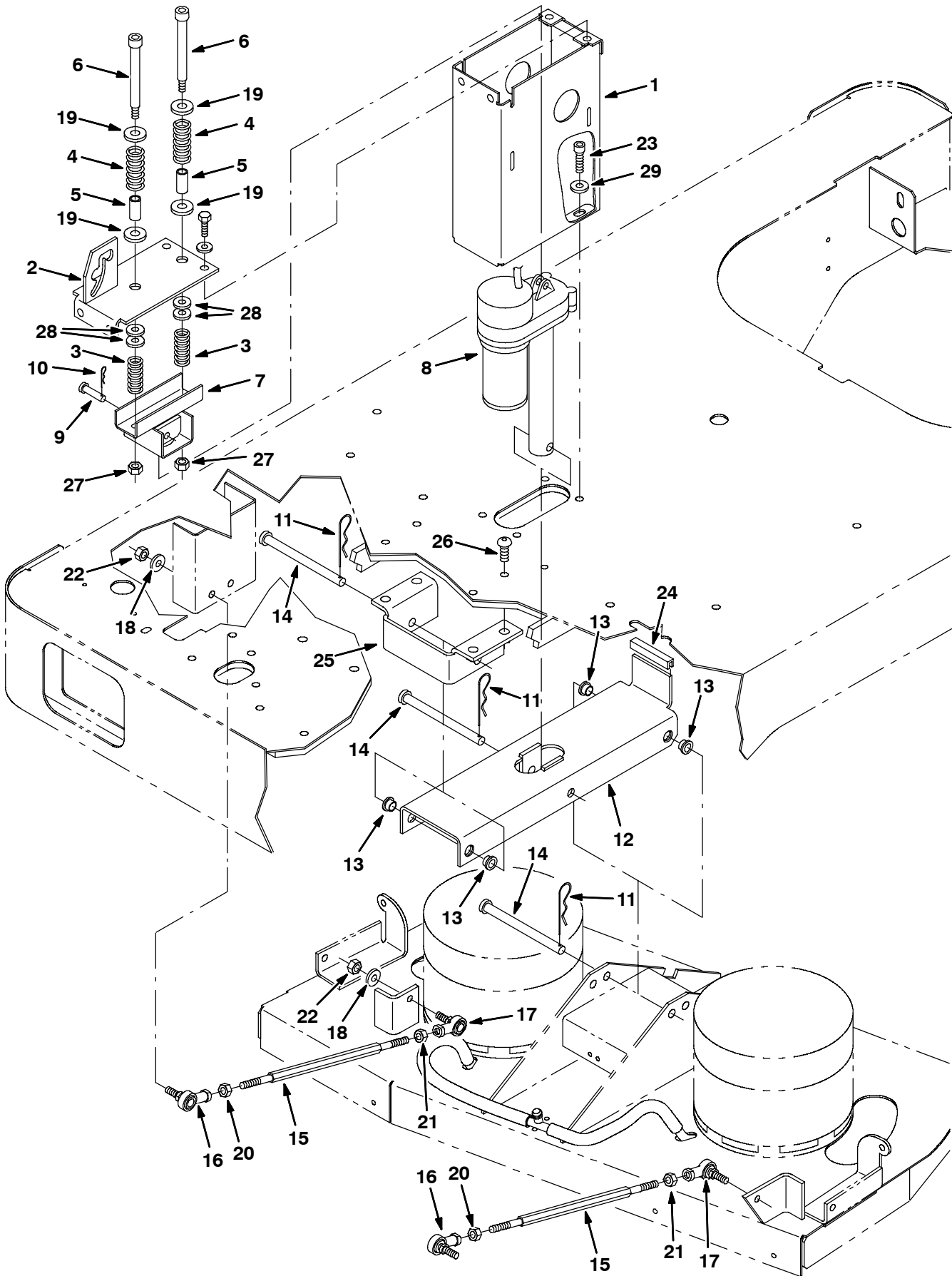




Fig. 13 - Scrub Head Lift Group

Ref.	Part No.	Serial Number	Description	Qty.
1	223133	(000000-	) Bracket Wldt, Actuator, Sppt	1
2	223469	(000000-	) Bracket Wldt, Mtg, Seat Prop & Spring	1
3	223517	(000000-	) Spring, Cmpr, 0.84od .11wir 02.0l	2
4	223518	(000000-	) Spring, Cmpr, 0.98od .14wir 02.5l	2
5	50682	(000000-	) Sleeve, P/M, 0.50b 0.62d 1.3l, Pl	2
6	45960	(000000-	) Bolt, Shld, .50d X 4.25, .38-16	2
7	223512	(000000-	) Channel Wldt, Mtg, Actuator / Spring	1
8	390992	(000000-	) Actuator, 36vdc, 05.0strk, 600lb	1
9	17461	(000000-	) Pin, Clevis, 0.37d X 1.75l	1
10	86866	(000000-	) Pin, Cotter, Hair, 0.38d .072 Wir	1
11	02942	(000000-	) Pin, Cotter, Hair, 0.62d .120 Wir	3
12	223459	(000000-	) Channel Wldt, Lift, Tool	1
13	15648	(000000-	) Bushing, Flng, 0.50b 0.59d 0.38l	4
14	51225-1	(000000-	) Pin, Clevis, 0.50d X 6.00l	3
15	223464	(000000-	) Rod, Thrd, 2 End, .38-24 14.1l 1left,Hex	2
16	86781	(000000-	) Rod-End, 0.38-24rh Fem 0.38-24stud	2
17	86780	(000000-	) Rod-End, .38-24lh Fem 0.38-24stud	2
18	01686	(000000-	) Washer, Flat, 0.44b 1.00d .08, Ss	4
19	32486	(000000-	) Washer, Flat, 0.50, Sae	4
20	20171	(000000-	) Nut, Hex, Jam, .38-24	2
21	82889	(000000-	) Nut, Hex, Jam, .38-24, Lh	2
22	67312	(000000-	) Nut, Hex, Lock, .38-24, NI	4
23	41358	(000000-	) Screw, Soc, M10 X 1.50 X 35, 12.9	4
24	223645	(000000-	) Molding, Trim, Rbr, .13 03.0l	1
25	369401	(005892-	) Bracket, Lift, Mtg	1
26	369408	(005892-	) Screw, Btn, M10 X 1.5 X 30, 10.9 NI	4
27	50902	(000000-	) Nut, Hex, Lock, .38-16, NI	2
28	32493	(000000-	) Washer, Flat, 0.50, Std	2
29	32492	(000000-	) Washer, Flat, 0.38, Std	4

Fig. 14 - Disk Scrub Head Drive Motor Group, 900 mm (36 in)

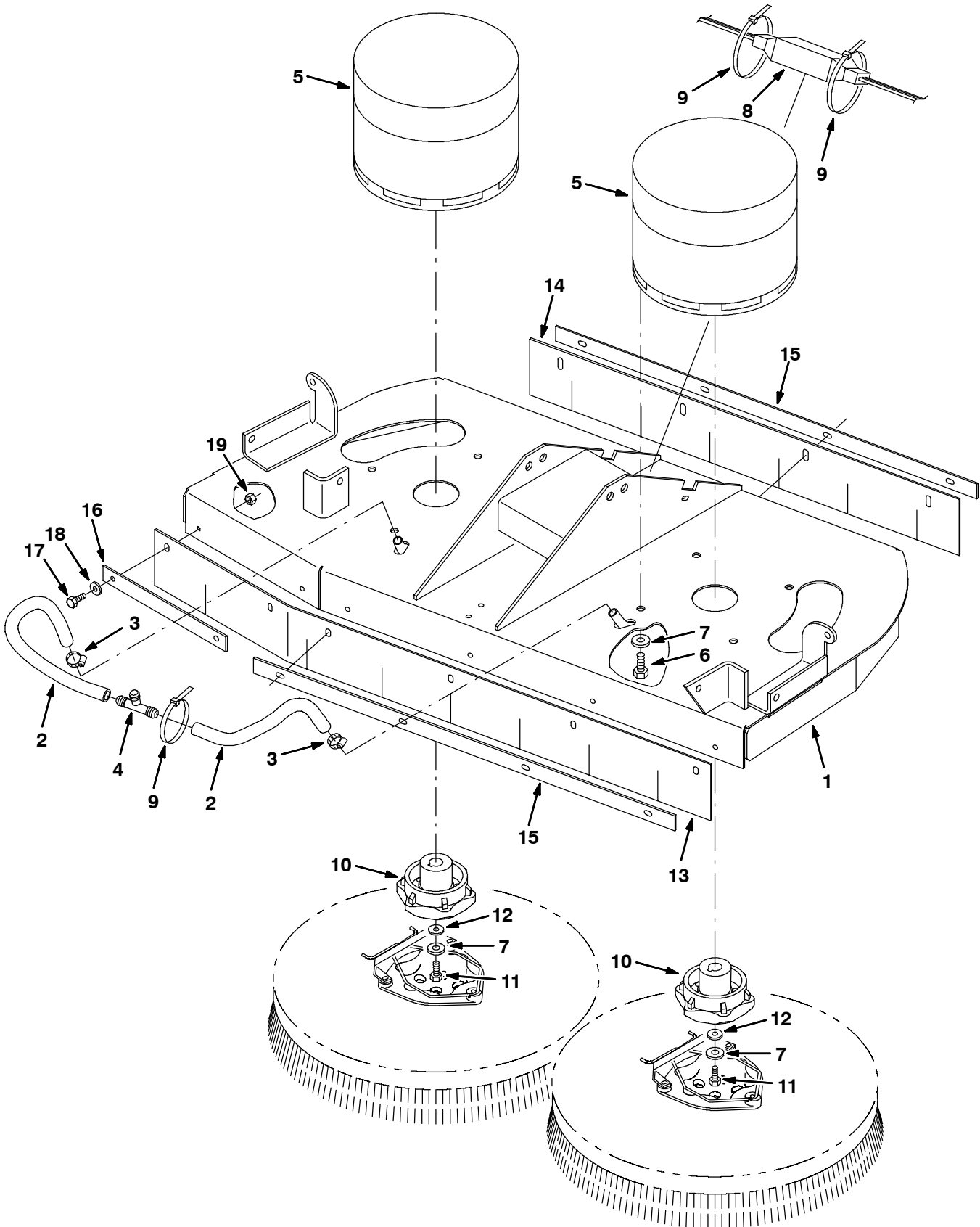


Fig. 14 - Disk Scrub Head Drive Motor Group, 900 mm (36 in)

NOTE: Disk Scrub Head Kit, Tennant Part Number 223017, includes Fig. 14, and Fig. 15.

Ref.	Part No.	Serial Number	Description	Qty.
1	223478	(000000-	) Head Wldt, Disk, 36/34inch Scrbr	1
2	223516	(000000-	) Hose, Pvc, Brd, 0.50id 0.73od 009.6l,Clr	2
3	54333	(000000-	) Clamp, Hose, Wormdrive, 0.31-0.88d, .31w	2
4	63245-1	(000000-	) Fitting, Plstc, Tee, Bm08/Bm08/Bm08	1
5	223358	(000000-	) Motor, Ele, 36vdc 0.80hp 0320rpm (See Breakdowns)	2
6	42384	(000000-	) Screw, Hex, .38-16 X 0.62, Ss	8
7	01686	(000000-	) Washer, Flat, 0.44b 1.00d .08, Ss	10
8	222836	(000000-	) Shunt Assy, Disk Head, 40mv /35a	1
9	44961	(000000-	) Tie, Cable, Nyl, 14.5l .30w 4.0 Max D	6
10	377364	(000000-	) Hub, Drive, Brush, Disk, 0.75b [6t]	2
11	32124	(000000-	) Screw, Hex, .31-18 X 1.00, Ss, NI	2
12	41186	(000000-	) Washer, Flat, Belleville, .31	2
13	223519	(000000-	) Skirt, Rbr, .12, 03.75w 37.64l, 06/ SI	1
14	223520	(000000-	) Skirt, Rbr, .12, 03.75w 28.00l, 04/ SI	1
15	223537	(000000-	) Strip, Retainer, Skirt, Front, Lh	2
16	223538	(000000-	) Strip, Retainer	1
17	15678	(000000-	) Screw, Hex, M6 X 1.0 X 16, Ss	10
18	01684	(000000-	) Washer, Flat, 0.27b 0.69d .05, Ss	10
19	08712	(000000-	) Nut, Hex, Lock, M6 X 1.00, Ss, NI	10

**Fig. 15 - Disk Scrub Head Squeegee Group, 900 mm (36 in)**

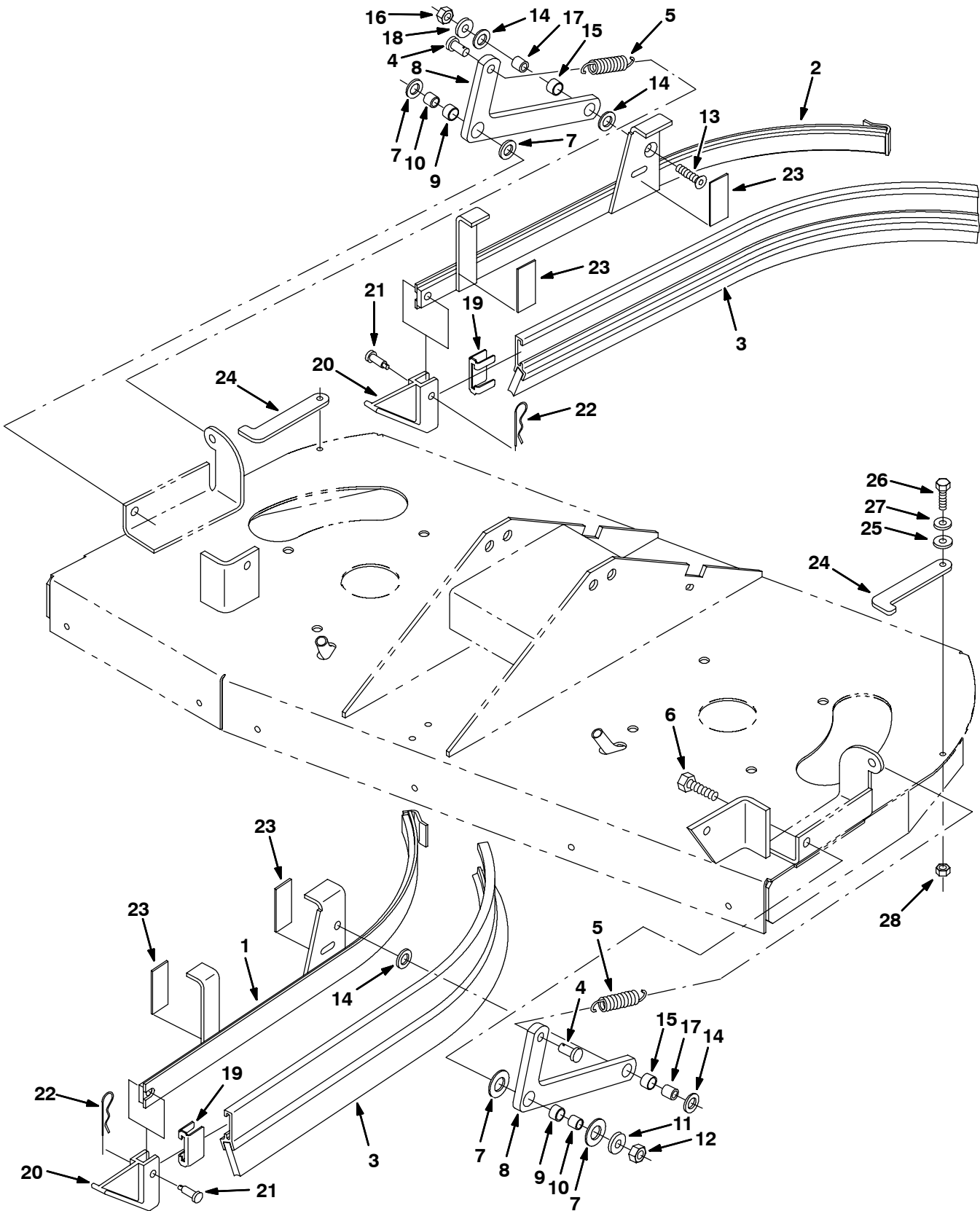
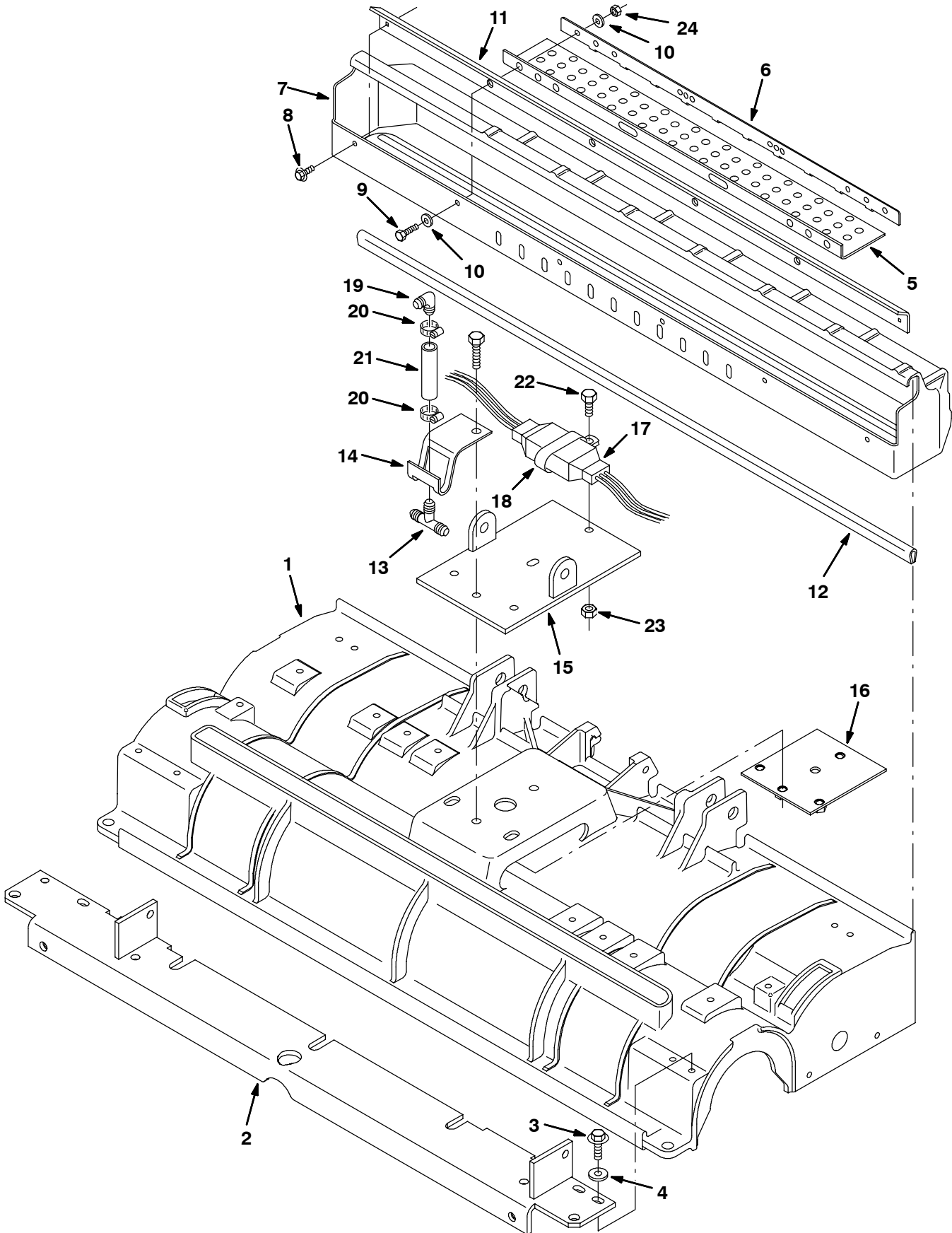


Fig. 15 - Disk Scrub Head Squeegee Group, 900 mm (36 in)

NOTE: Disk Scrub Head Kit, Tennant Part Number 223017, includes Fig. 14, and Fig. 15.

Ref.	Part No.	Serial Number	Description	Qty.
1	223637	(000000-	) Bladeholder Wldt, Sqge, Disk, Lh	1
2	223489	(000000-	) Bladeholder Wldt, Sqge, Disk, Rh	1
3	86859	(000000-	) Squeegee Assy, Side [Linatex]	2
4	39019	(000000-	) Pin, Clevis, 0.37d X 0.75l	2
5	15047	(000000-	) Spring, Extn, 0.62od 0.08wir 03.0l	2
6	77347	(000000-	) Screw, Hex, M10 X 1.5 X 35, Ss	2
7	64425	(000000-	) Washer, Thrust, 0.61b 1.25d .06, Fgl	4
8	25709	(000000-	) Bellcrank, Lift, Sqge	2
9	71607	(000000-	) Bushing, Sleeve, 0.63b 0.72d 0.38l	2
10	71608	(000000-	) Tube, 0.41id 0.62od 00.5l, Ss	2
11	01686	(000000-	) Washer, Flat, 0.44b 1.00d .08, Ss	2
12	08714	(000000-	) Nut, Hex, Lock, M10 X 1.5, NI, Ss	2
13	79506	(000000-	) Screw, Flt, M8 X 1.25 X 30, Ss	2
14	86860	(000000-	) Bearing, Thrust, 0.50b 0.87d 0.06w	4
15	64173	(000000-	) Bushing, Sleeve, 0.50b 0.59d 0.38l, Stl	2
16	08713	(000000-	) Nut, Hex, Lock, M8 X 1.25, NI, Ss	2
17	223609	(000000-	) Sleeve, P/M, 0.31b 0.50d 0.5l [430ss]	2
18	01685	(000000-	) Washer, Flat, 0.38b 0.88d .08, Ss	2
19	86759	(000000-	) Retainer, Sqge	2
20	86865	(000000-	) Guide, Sqge, Side	2
21	69582	(000000-	) Pin, Clevis, 0.31d X 1.00l	2
22	44906	(000000-	) Pin, Cotter, Hair, 0.69d .092 Wir	2
23	223672	(000000-	) Tape, .0080, 1.0w, 2.5l [Protective]	4
24	369343	(000000-	) Plate, Side, Sqge	2
25	16236	(000000-	) Washer, Flat, 0.26b 0.72d .06, Nyl	2
26	08716	(000000-	) Screw, Hex, M6 X 1.0 X 20, Ss	2
27	01684	(000000-	) Washer, Flat, 0.27b 0.69d .05, Ss	2
28	08712	(000000-	) Nut, Hex, Lock, M6 X 1.00, Ss, NI	2

Fig. 16 - Cylindrical Scrub Head Frame Group, 900 mm (36 in)



**Fig. 16 - Cylindrical Scrub Head Frame Group, 900 mm (36 in)**

NOTE: Cylindrical Scrub Head Kit, Tennant Part Number 223016, includes Fig. 16, Fig. 17, and Fig. 18.

Ref.	Part No.	Serial Number	Description	Qty.	
1	1022252	(000000-	) Housing, Cyl, Mach, 900mm	1	
2	223580	(000000-	) Angle Wldt, Mtg, Cyl Head, Scr	1	
3	76099	(000000-	) Screw, Hex, M8 X 1.25 X 25, Fmg	4	
4	01685	(000000-	) Washer, Flat, 0.38b 0.88d .08, Ss	4	
▽	222826	(000000-	) Tray Kit, Debris, 36.0, Ci	1	
▲	5	222669	(000000-	) Skirt, Rbr, .12, 03.50w 22.00l, 102/ H&S	1
▲	6	222670	(000000-	) Strip, Tray, Debris	1
▲	7	223400	(000000-	) Tray, Debris, 36.0l	1
▲	8	74455	(000000-	) Screw, Hex, M6 X 1.0 X 12, Fmg	2
▲	9	09007	(000000-	) Screw, Hex, M6 X 1.0 X 25, Ss	4
▲	10	01684	(000000-	) Washer, Flat, 0.27b 0.69d .05, Ss	8
▲	11	222205	(000000-	) Lip, Tray, Debris, 36.0inch	1
	12	374008	(000000-	) Channel, .18, 0.4w 0.5 37.0l	1
	13	63245-1	(000000-	) Fitting, Plstc, Tee, Bm08/Bm08/Bm08	1
	14	222523	(000000-	) Bracket, Guide, Hose	1
	15	223442	(000000-	) Plate Wldt, Mtg, Tool	1
	16	223412	(000000-	) Plate, Mtg, Tool Lift	1
	17	222835	(000000-	) Shunt Assy, Cyl Head, 40mv /35a	1
	18	67366	(000000-	) Clamp, Cable, Stl, 1.0x2.0x0.62w, 1hole	1
	19	63987-1	(000000-	) Fitting, Plstc, E90, Bm08/Bm08	1
	20	54333	(000000-	) Clamp, Hose, Wormdrive, 0.31-0.88d, .31w	2
	21	05711	(000000-	) Hose, Pvc, Clr, 0.50id 0.69od 003.1l	1
	22	09740	(000000-	) Screw, Hex, M8 X 1.25 X 20, Ss	1
	23	08713	(000000-	) Nut, Hex, Lock, M8 X 1.25, NI, Ss	1
	24	08713	(000000-	) Nut, Hex, Lock, M8 X 1.25, NI, Ss	4

# STANDARD PARTS

Fig. 17 - Cylindrical Scrub Head Drive Motor Group, 900 mm (36 in)

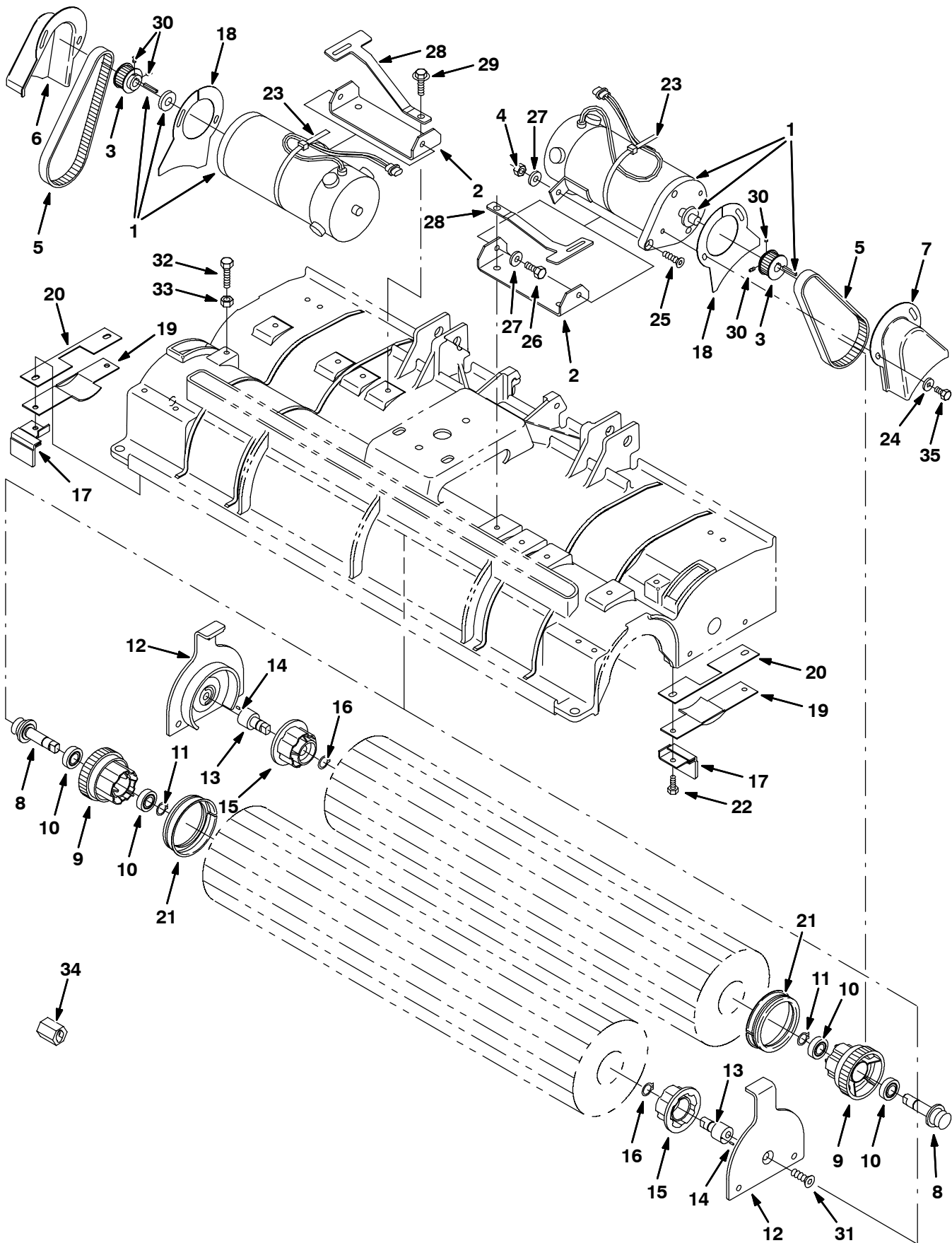




Fig. 17 - Cylindrical Scrub Head Drive Motor Group, 900 mm (36 in)

NOTE: Cylindrical Scrub Head Kit, Tennant Part Number 223016, includes Fig. 16, Fig. 17, and Fig. 18.

Ref.	Part No.	Serial Number	Description	Qty.
1	222753	(000000-007861 )	Motor Ele, 36vdc, 0.75hp, Rep.By374175 (See Breakdowns)	2
1	374175	(007862-	) Motor, Ele, 36vdc 1700rpm 0.75hp (See Breakdowns)	2
2	223564	(000000-	) Bracket, Mtg, Motor	2
3	375195	(000000-	) Sprocket, Timing, 22tooth, 0.50b, [Gt/2]	2
4	08713	(000000-	) Nut, Hex, Lock, M8 X 1.25, NI, Ss	4
5	377505	(000000-	) Belt Kit, Drive, Brush, F/222201, Replmt	2
6	223560	(000000-	) Guard, Belt, Rh [5700]	1
7	223561	(000000-	) Guard, Belt, Lh	1
▽	222751	(000000-	) Plug Assy, Drive, Brush, [48 Tooth-Gt/2]	2
▲	8	222176	(000000-) Shaft, Drive, Plug	1
▲	9	222062	(000000-) Plug, Drive, Brush Rep.By377333	1
▲	10	41360	(000000-) Bearing, Ball, 0.59b 1.26d 0.35w[2seal]	2
▲	11	01516	(000000-) Ring, Retaining, Ext, 0.59d, Basic	1
12	369460	(000000-	) Door, Brush	2
▽	222752	(000000-	) Plug Assy, Idler, Brush	2
▲	13	222177	(000000-) Shaft, Plug, Idler	1
▲	14	222184	(000000-) Pin, Roll, .094d X 0.25l, .094/.097	1
▲	15	379202	(000000-) Plug, Idler, Brush [Sgl Brg]	1
▲	16	01516	(000000-) Ring, Retaining, Ext, 0.59d, Basic	1
17	223568	(000000-	) Deflector, Water	2
18	223563	(000000-	) Guard, Belt, Drive, Head, Scrbr, Lh	2
19	223566	(000000-	) Bracket, Shield	2
20	223569	(000000-	) Gasket, Shield	2
21	222820	(000000-	) Seal, Ring	2
22	15678	(000000-	) Screw, Hex, M6 X 1.0 X 16, Ss	4
23	44961	(000000-	) Tie, Cable, Nyl, 14.5l .30w 4.0 Max D	2
24	01684	(000000-	) Washer, Flat, 0.27b 0.69d .05, Ss	4
25	74077	(000000-	) Screw, Flt, M8 X 1.25 X 25	2
26	09740	(000000-	) Screw, Hex, M8 X 1.25 X 20, Ss	2
27	01685	(000000-	) Washer, Flat, 0.38b 0.88d .08, Ss	6
28	222209	(000000-	) Spring, Flat, Door, Scrbr Head	2
29	76099	(000000-	) Screw, Hex, M8 X 1.25 X 25, Fmg	4
30	222818	(000000-	) Screw, Set, #08-32 X 0.25, NI	4
31	390996	(000000-	) Screw, Flt, M10 X 1.5 X 20, 10.9, NI	2
32	09023	(000000-	) Screw, Hex, M8 X 1.25 X 35, Ss, FI	2
33	08713	(000000-	) Nut, Hex, Lock, M8 X 1.25, NI, Ss	2
34	1010506	(000000-	) Tool, Removal, Shaft, F/222176	1
35	09744	(000000-	) Screw, Hex, M6 X 1.0 X 12, Ss	4

# STANDARD PARTS

Fig. 18 - Cylindrical Scrub Head Squeegee Group, 900 mm (36 in)

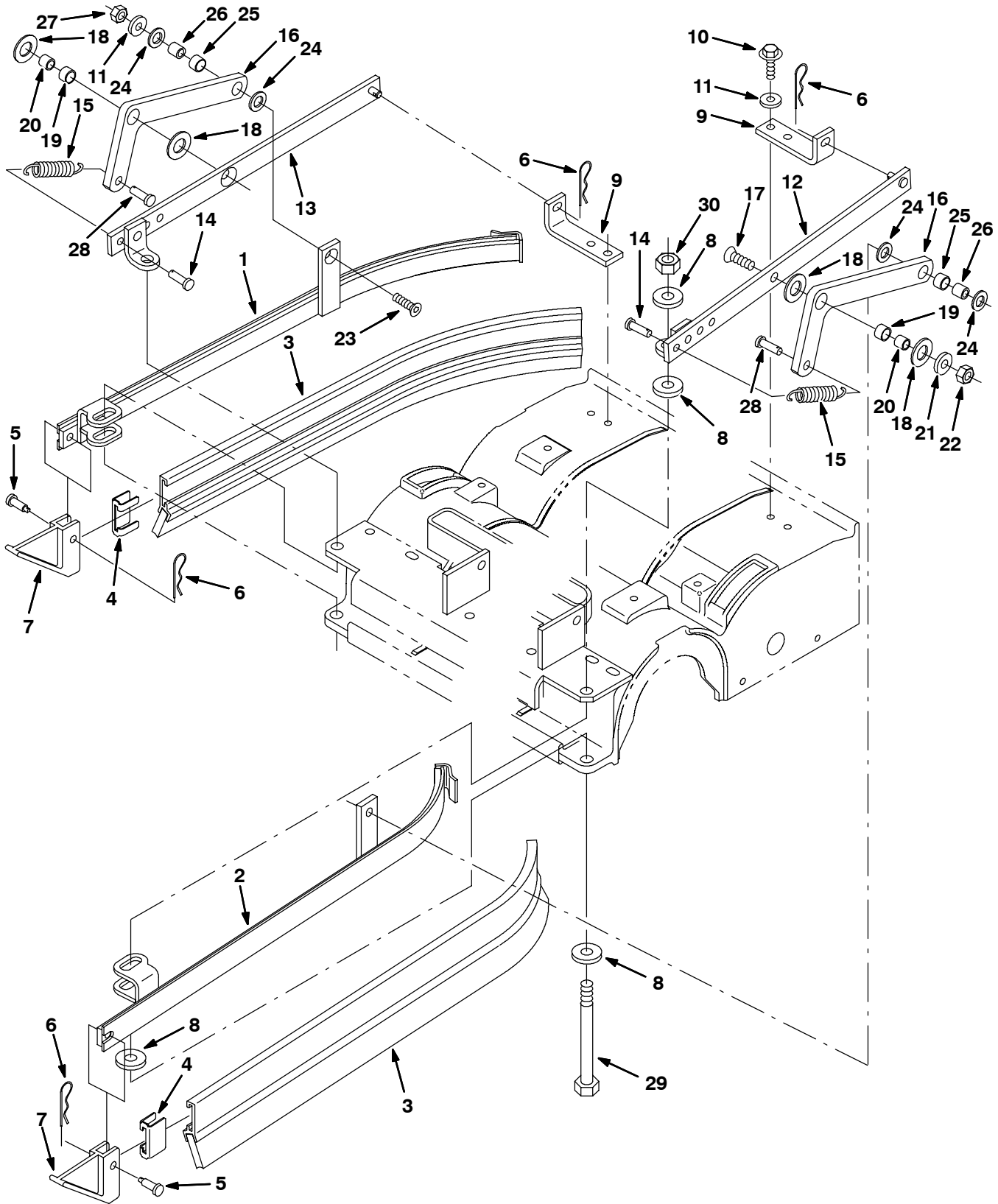


Fig. 18 - Cylindrical Scrub Head Squeegee Group, 900 mm (36 in)

NOTE: Cylindrical Scrub Head Kit, Tennant Part Number 223016, includes Fig. 16, Fig. 17, and Fig. 18.

Ref.	Part No.	Serial Number	Description	Qty.
1	223291	(000000-	) Frame Wldt, Sqge, Rh, Cyl	1
2	223304	(000000-	) Frame Wldt, Sqge, Lh, Cyl	1
3	86859	(000000-	) Squeegee Assy, Side [Linatex]	2
4	86759	(000000-	) Retainer, Sqge	2
5	69582	(000000-	) Pin, Clevis, 0.31d X 1.00l	2
6	44906	(000000-	) Pin, Cotter, Hair, 0.69d .092 Wir	4
7	86865	(000000-	) Guide, Sqge, Side	2
8	33925	(000000-	) Washer, Flat, M12, Ss	8
9	223293	(000000-	) Bracket, Angle, Mtg, Sqge	2
10	76099	(000000-	) Screw, Hex, M8 X 1.25 X 25, Fmg	4
11	01685	(000000-	) Washer, Flat, 0.38b 0.88d .08, Ss	6
12	223654	(000000-	) Bar Wldt, Mtg, Sqge, Lh	1
13	223589	(000000-	) Bar Wldt, Mtg, Sqge, Rh	1
14	69582	(000000-	) Pin, Clevis, 0.31d X 1.00l	2
15	15047	(000000-	) Spring, Extn, 0.62od 0.08wir 03.0l	2
16	25709	(000000-	) Bellcrank, Lift, Sqge	2
17	369338	(000000-	) Screw, Flt, M10 X 1.5 X 30, 10.9	2
18	64425	(000000-	) Washer, Thrust, 0.61b 1.25d .06, Fgl	4
19	71607	(000000-	) Bushing, Sleeve, 0.63b 0.72d 0.38l	2
20	71608	(000000-	) Tube, 0.41id 0.62od 00.5l, Ss	2
21	01686	(000000-	) Washer, Flat, 0.44b 1.00d .08, Ss	2
22	08714	(000000-	) Nut, Hex, Lock, M10 X 1.5, NI, Ss	2
23	74077	(000000-	) Screw, Flt, M8 X 1.25 X 25	2
24	86860	(000000-	) Bearing, Thrust, 0.50b 0.87d 0.06w	2
25	64173	(000000-	) Bushing, Sleeve, 0.50b 0.59d 0.38l, Stl	2
26	223609	(000000-	) Sleeve, P/M, 0.31b 0.50d 0.5l [430ss]	2
27	08713	(000000-	) Nut, Hex, Lock, M8 X 1.25, NI, Ss	2
28	39019	(000000-	) Pin, Clevis, 0.37d X 0.75l	2
29	45280	(000000-	) Screw, Hex, .50-13 X 5.50, G5	2
30	02931	(000000-	) Nut, Hex, Lock, .50-13, NI, Ss	2

# STANDARD PARTS

Fig. 19 - Recovery Tank Group (00000-010021)

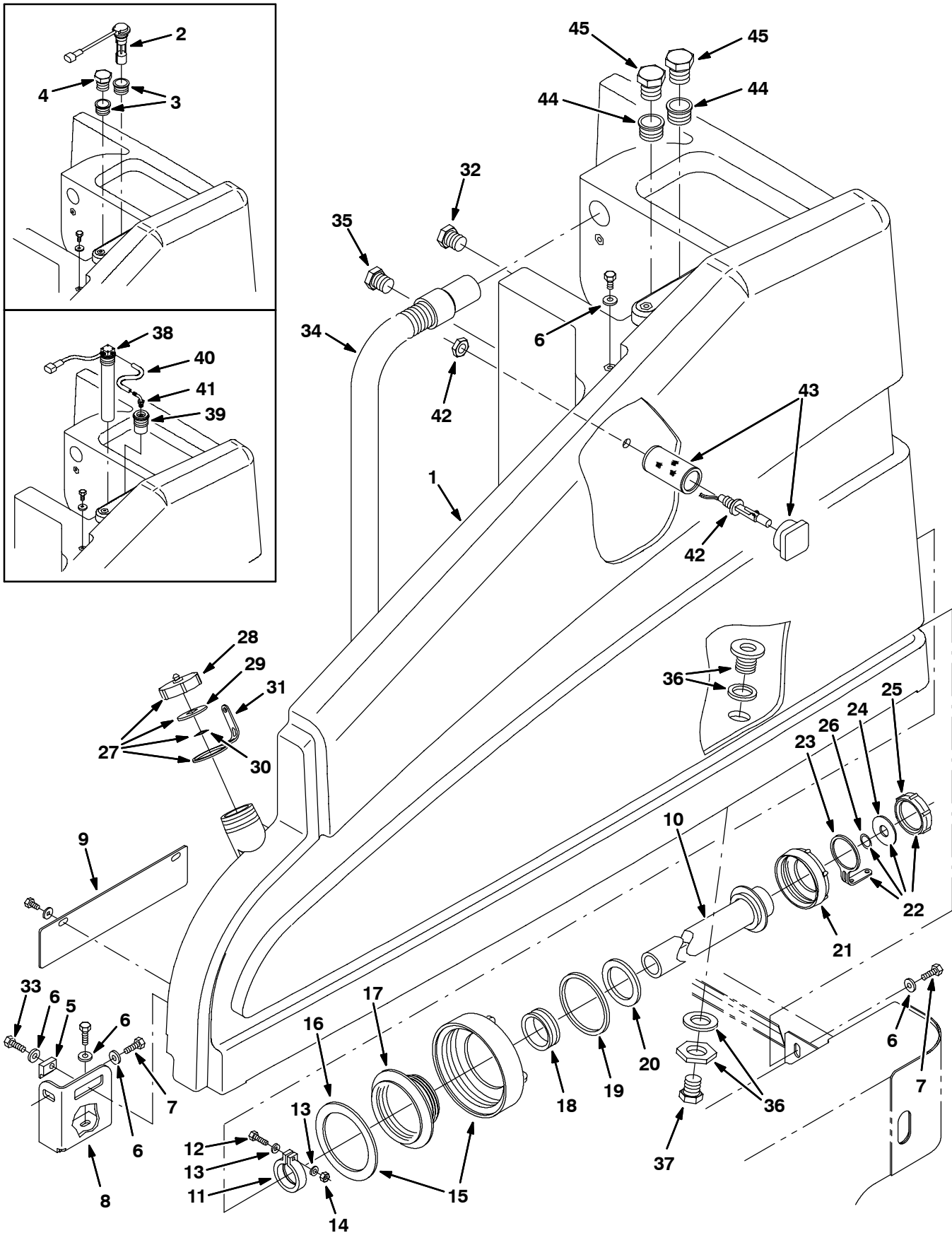


Fig. 19 - Recovery Tank Group (000000-010021)

Ref.	Part No.	Serial Number	Description	Qty.
1	223250	(000000-010021 )	Tank, Recvy	1
2	369894	(000000-007061 )	Switch Kit, Sensor, Level, W/O Es [7200]	1
3	223528	(000000-007061 )	Grommet, Level Sensing, 1.6d 9.6l F/1.4h	2
4	49745	(000000-007061 )	Fitting, Plstc, Plug, Pm16	1
5	73142	(000000-010021 )	Clamp, Mtg, Tank	1
6	01685	(000000-010021 )	Washer, Flat, 0.38b 0.88d .08, Ss	6
7	49826	(000000-010021 )	Screw, Hex, M8 X 1.25 X 16, Ss, NI	2
8	223256	(000000-010021 )	Bracket, Mtg	1
9	223509	(000000-010021 )	Plate, Cover	1
▽	223533	(000000-010021 )	Hose Assy, Drain, 0.31id X 24.3l, Pvc	1
▲	10 24174	(000000-010021 )	Hose Assy, Pvc, 1.3id 1.7od 24.3l	1
▲	11 41454	(000000-010021 )	Clamp, Hose, Plstc, 1.60d X 0.62w	1
▲	12 12316	(000000-010021 )	Screw, Hex, M5 X 0.8 X 25, Ss	1
▲	13 01683	(000000-010021 )	Washer, Flat, 0.22b 0.50d .05, Ss [#10]	2
▲	14 09739	(000000-010021 )	Nut, Hex, Lock, M5 X 0.80, NI, Ss	1
▲▽	15 24358	(000000-010021 )	Cap Assy, Tank, Drain	1
▲▲	16 1031699	(000000-010021 )	Gasket, 4.05id 5.29od .19 [Buna]	1
▲	17 14864	(000000-010021 )	Cover, Insert	1
▲	18 41421	(000000-010021 )	Seal	1
▲	19 79320	(000000-010021 )	Gasket, Cap, Drain	1
▲	20 41451	(000000-010021 )	Gasket, Lid	1
▲	21 14880	(000000-010021 )	Cap, Tank, Drain, 3.85 Thread Pye	1
▲▽	22 32501	(000000-010021 )	Drain Kit, Cap	1
▲▲	23 32508	(000000-010021 )	Strap	1
▲▲	24 32614	(000000-010021 )	Gasket, Cap	1
▲▲	25 32613	(000000-010021 )	Cap, Tank, Drain, 2.25 Thread Pye	1
▲▲	26 32669	(000000-010021 )	Ring, Retaining, Ext, 0.75d, Ss	1
▽	27 32501	(000000-010021 )	Drain Kit, Cap	1
▲	28 32613	(000000-010021 )	Cap, Tank, Drain, 2.25 Thread Pye	1
▲	29 32614	(000000-010021 )	Gasket, Cap	1
▲	30 32669	(000000-010021 )	Ring, Retaining, Ext, 0.75d, Ss	1
▲	31 32508	(000000-010021 )	Strap	1
	32 75611	(000000-010021 )	Fitting, Plstc, Plug, Pm12	1
	33 12273	(000000-010021 )	Screw, Hex, M8 X 1.25 X 20, Ss, NI	1
	34 223228	(000000-010021 )	Hose Assy, W/1cuff, 1.5d 063l 1.5/	1
	35 75611	(005440-010021 )	Fitting, Plstc, Plug, Pm12	1
	36 377349	(006140-010021 )	Fitting, Plstc, Pf12/Pf12, Bh	1
	37 75611	(006140-010021 )	Fitting, Plstc, Plug, Pm12	1
	38 375426	(007062-008974 )	Switch, Press, 3.0inch 02pf 08inch Tube	1
	39 385750	(007062-008974 )	Tube, Sensor, Level, Soltn, 2.0l	1
	40 57578	(007062-008974 )	Hose, Vacuum, 0.16id X 008.0l	1
	41 32183	(007062-008974 )	Fitting, Brs, E90, Bm03/Pm02	1
	42 385685	(008975-010021 )	Sensor, Level, Liq, 14vdc 01a .62-11	1
	43 375302	(008975-010021 )	Strainer, Switch, Grd Rep.By1023713	1
	44 223528	(008975- xxxxxx )	Grommet, Level Sensing, 1.6d 9.6l F/1.4h	2
	45 49745	(008975- xxxxxx )	Fitting, Plstc, Plug, Pm16	2

Fig. 20 - Recovery Tank Group (010022- )

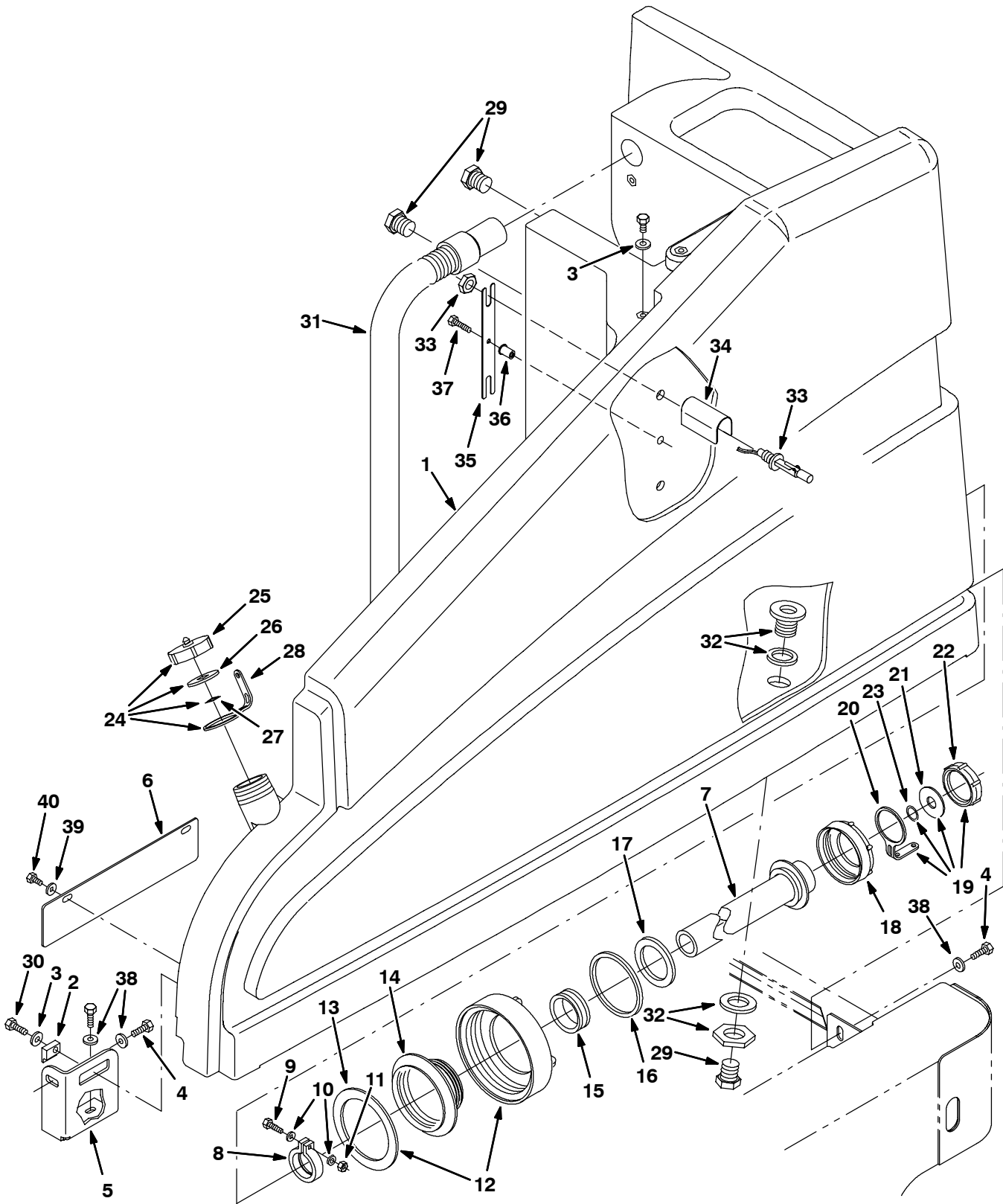


Fig. 20 - Recovery Tank Group (010022- )

Ref.	Part No.	Serial Number	Description	Qty.	
1	223250	(010022-	) Tank, Recvy	1	
2	73142	(010022-	) Clamp, Mtg, Tank	1	
3	01685	(010022-	) Washer, Flat, 0.38b 0.88d .08, Ss	2	
4	49826	(010022-	) Screw, Hex, M8 X 1.25 X 16, Ss, NI	2	
5	223256	(010022-	) Bracket, Mtg	1	
6	223509	(010022-	) Plate, Cover	1	
▽	223533	(010022-	) Hose Assy, Drain, 0.31id X 24.3l, Pvc	1	
▲	7	24174	(010022-	) Hose Assy, Pvc, 1.3id 1.7od 24.3l	1
▲	8	41454	(010022-	) Clamp, Hose, Plstc, 1.60d X 0.62w	1
▲	9	12316	(010022-	) Screw, Hex, M5 X 0.8 X 25, Ss	1
▲	10	01683	(010022-	) Washer, Flat, 0.22b 0.50d .05, Ss [#10]	2
▲	11	09739	(010022-	) Nut, Hex, Lock, M5 X 0.80, NI, Ss	1
▲▽	12	24358	(010022-	) Cap Assy, Tank, Drain	1
▲▲	13	1031699	(010022-	) Gasket, 4.05id 5.29od .19 [Buna]	1
▲	14	14864	(010022-	) Cover, Insert	1
▲	15	41421	(010022-	) Seal	1
▲	16	79320	(010022-	) Gasket, Cap, Drain	1
▲	17	41451	(010022-	) Gasket, Lid	1
▲	18	14880	(010022-	) Cap, Tank, Drain, 3.85 Thread Pye	1
▲▽	19	32501	(010022-	) Drain Kit, Cap	1
▲▲	20	32508	(010022-	) Strap	1
▲▲	21	32614	(010022-	) Gasket, Cap	1
▲▲	22	32613	(010022-	) Cap, Tank, Drain, 2.25 Thread Pye	1
▲▲	23	32669	(010022-	) Ring, Retaining, Ext, 0.75d, Ss	1
▽	24	32501	(010022-	) Drain Kit, Cap	1
▲	25	32613	(010022-	) Cap, Tank, Drain, 2.25 Thread Pye	1
▲	26	32614	(010022-	) Gasket, Cap	1
▲	27	32669	(010022-	) Ring, Retaining, Ext, 0.75d, Ss	1
▲	28	32508	(010022-	) Strap	1
29	75611	(010022-	) Fitting, Plstc, Plug, Pm12	3	
30	12273	(010022-	) Screw, Hex, M8 X 1.25 X 20, Ss, NI	1	
31	223228	(010022-	) Hose Assy, W/1cuff, 1.5d 063l 1.5/	1	
32	377349	(010022-	) Fitting, Plstc, Pf12/Pf12, Bh	1	
33	385685	(010022-	) Sensor, Level, Liq, 14vdc 01a .62-11	1	
34	1019285	(010022-	) Bracket, Protector, Float Switch	1	
35	1023365	(010022-	) Plate, Align, Switch, Level [7200]	1	
36	397644	(010022-	) Nut, Isolator, .25-20 Wall Th .187-.343	1	
37	16951	(010022-	) Screw, Hex, .25-20 X 1.25, Sems	1	
38	1017218	(010022-	) Washer, Flat, 0.32b 1.00d .12, Ss	4	
39	01683	(010022-	) Washer, Flat, 0.22b 0.50d .05, Ss [#10]	2	
40	09738	(010022-	) Screw, Hex, M5 X 0.8 X 12, Ss	2	

Fig. 21 - Vacuum Fan Kit, Single

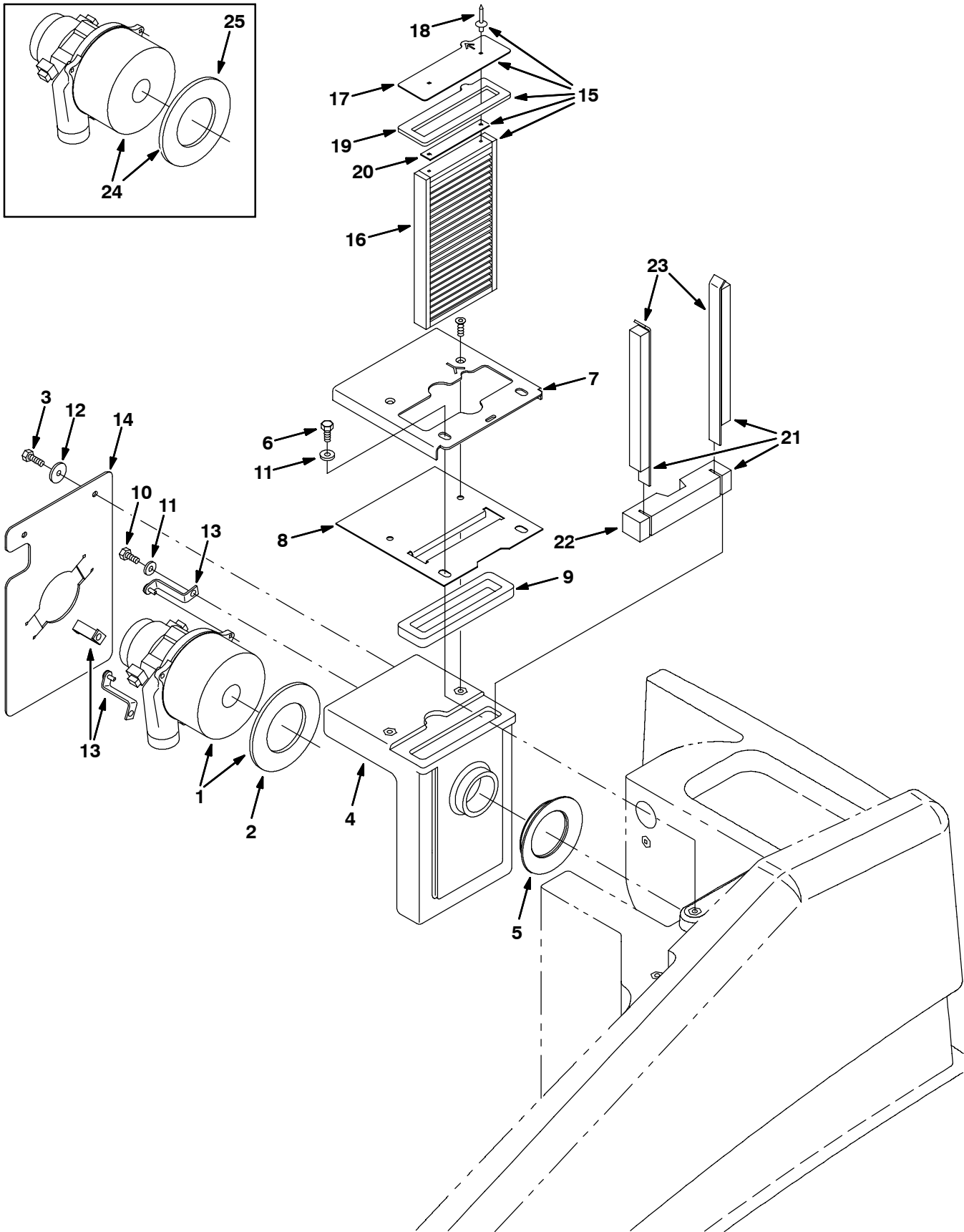




Fig. 21 - Vacuum Fan Kit, Single

	Ref.	Part No.	Serial Number	Description	Qty.
▽		223041	(000000-	) Vacfan Kit, Ci, Sgl [7200]	1
▲▽	1	398520	(008452-	) Fan Assy, Vacuum, 5.7d, 036vdc, 3 Stage (See Breakdowns)	1
▲▲	2	223264	(008452-	) Seal, Rbr, Clsd, 0.25, 5.8d 03.3h	1
▲	3	09740	(000000-	) Screw, Hex, M8 X 1.25 X 20, Ss	2
▲	4	223259	(000000-	) Tank, Demister	1
▲	5	223525	(000000-	) Seal, Fan	1
▲	6	15675	(000000-	) Screw, Hex, M8 X 1.25 X 16, Ss	2
▲	7	223261	(000000-	) Bracket, Demister	1
▲	8	223506	(000000-	) Bracket, Demister	1
▲	9	223507	(000000-	) Seal, Rbr, Clsd, 0.63, Demister	1
▲	10	49826	(000000-	) Screw, Hex, M8 X 1.25 X 16, Ss, NI	3
▲	11	01685	(000000-	) Washer, Flat, 0.38b 0.88d .08, Ss	5
▲	12	30013	(000000-	) Washer, Flat, 0.31, Fendr	2
▲	13	222124	(000000-	) Bracket, Mtg, Vacfan	3
▲	14	223262	(000000-	) Skirt, Neo, .12, 06/ Hole, Motor, Fan	1
▲▽	15	223532	(000000-	) Filter Assy, Panl, Scrbr [7200]	1
▲▲	16	223267	(000000-	) Filter, Panl, Dust, 1.0 X 06.0 X 11.0	1
▲▲	17	223279	(000000-	) Plate, Top	1
▲▲	18	393074	(000000-	) Rivet, Blind, .188d X 0.47 X .38d, Alm	2
▲▲	19	223266	(000000-	) Seal, Rbr, Clsd, 0.25, Fltr, Panl	1
▲▲	20	385617	(000000-	) Plate, Spacer, Fltr	1
▲▽	21	369453	(000000-	) Seal Kit, Vacfan & Panl Fltr	1
▲▲	22	369451	(000000-	) Seal, Rbr, Clsd, 1.41, Demister	1
▲▲	23	369449	(000000-	) Seal Assy, Vacfan	2
▽	24	17363	(000000-008451	) Fan Assy, Vacuum Rep By 398520 (See Breakdowns)	1
▲	25	223264	(000000-008451	) Seal, Rbr, Clsd, 0.25, 5.8d 03.3h	1

**Fig. 22 - Solution Tank Group**

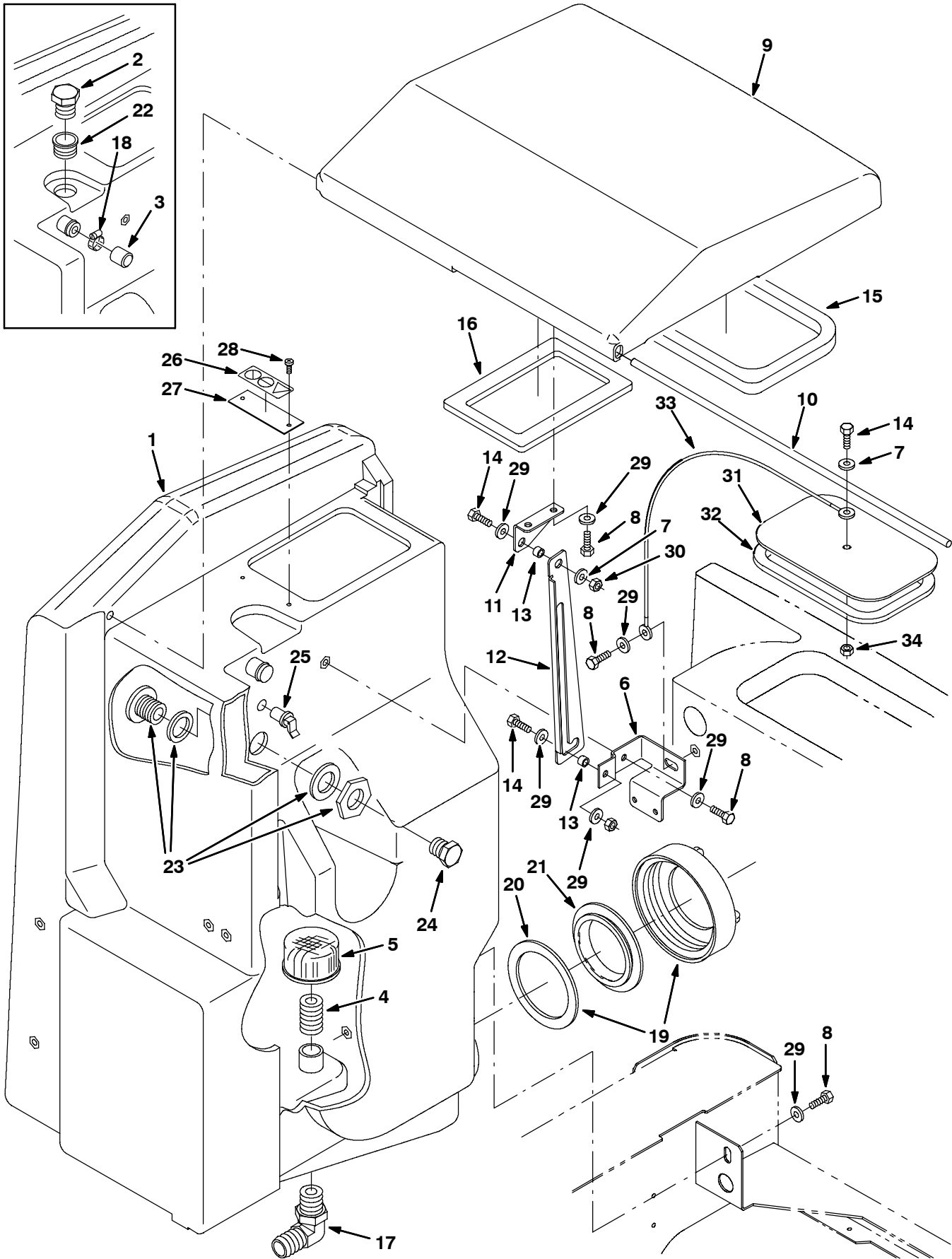


Fig. 22 - Solution Tank Group

Ref.	Part No.	Serial Number	Description	Qty.	
1	223251	(000000-	) Tank, Soltn	1	
2	49745	(000000-006549	) Fitting, Plstc, Plug, Pm16	1	
3	32790	(000000-005439	) Cap, Vyl, 0.94id 1.00l Blk	1	
4	223499	(000000-	) Fitting, Plstc, Str, Pm16/Pm16 Close	1	
5	20810	(000000-	) Filter, Soltn, 20mesh, Pf16 3.1d 02.3l	1	
6	223255	(000000-	) Bracket, Mtg	1	
7	01685	(000000-	) Washer, Flat, 0.38b 0.88d .08, Ss	2	
8	49826	(000000-	) Screw, Hex, M8 X 1.25 X 16, Ss, NI	5	
9	223252	(000000-	) Cover, Tank, Soltn / Recvy	1	
10	223258	(000000-	) Bar, Rnd, Plstc, 0.38d 25.0l	1	
11	223284	(000000-	) Bracket, Angle, Cover	1	
12	223283	(000000-	) Bracket, Sppt, Tank, Soltn	1	
13	222516	(000000-	) Sleeve, P/M, 0.31b 0.50d 0.3l [430ss]	2	
14	09740	(000000-	) Screw, Hex, M8 X 1.25 X 20, Ss	3	
15	223527	(000000-	) Seal, Rbr, Clsd, 0.75, Tank, Recvy	1	
16	223271	(000000-	) Seal, Foam, Open, 0.50, Tank, Soltn	1	
17	223497	(000000-	) Fitting, Plstc, E90, Bm12/Pm16	1	
18	86824	(000000-005439	) Clamp, Hose, Wormdrive, 0.50-1.06d, .50w	1	
▽	19	24358	(000000-	) Cap Assy, Tank, Drain	1
▲	20	1031699	(000000-	) Gasket, 4.05id 5.29od .19 [Buna]	1
21	86636	(000000-	) Cover, Tank	1	
22	223528	(000000-006549	) Grommet, Level Sensing, 1.6d 9.6l F/1.4h	1	
23	377349	(005440-	) Fitting, Plstc, Pf12/Pf12, Bh	1	
24	75611	(005440-	) Fitting, Plstc, Plug, Pm12	1	
25	369889	(006550-	) Plug, Expandable, Rnd 0.625h 0.7l	1	
26	391451	(000000-	) Label [Attention Fast Users, 5400s]	1	
27	1017101	(000000-	) Plate, Label, Soltn Tank	1	
28	360973	(000000-	) 361333 Pan, #12-16 X 0.50, F/ Plstc	1	
29	1017218	(000000-	) Washer, Flat, 0.32b 1.00d .12, Ss	6	
30	08709	(000000-	) Nut, Hex, Lock, M8 X 1.25, NI	2	
31	1024488	(010570-	) Plate, Mtg, Seal, Tank, Recvy [7200]	1	
32	1024692	(010570-	) Seal, Tank, Recvy [7200]	1	
33	1024784	(010570-	) Cable, Cover, Recvy Tank [7200]	1	
34	07786	(010570-	) Nut, Hex, Std, M8 X 1.25, Ss	1	

Fig. 23 - Solution Control Group

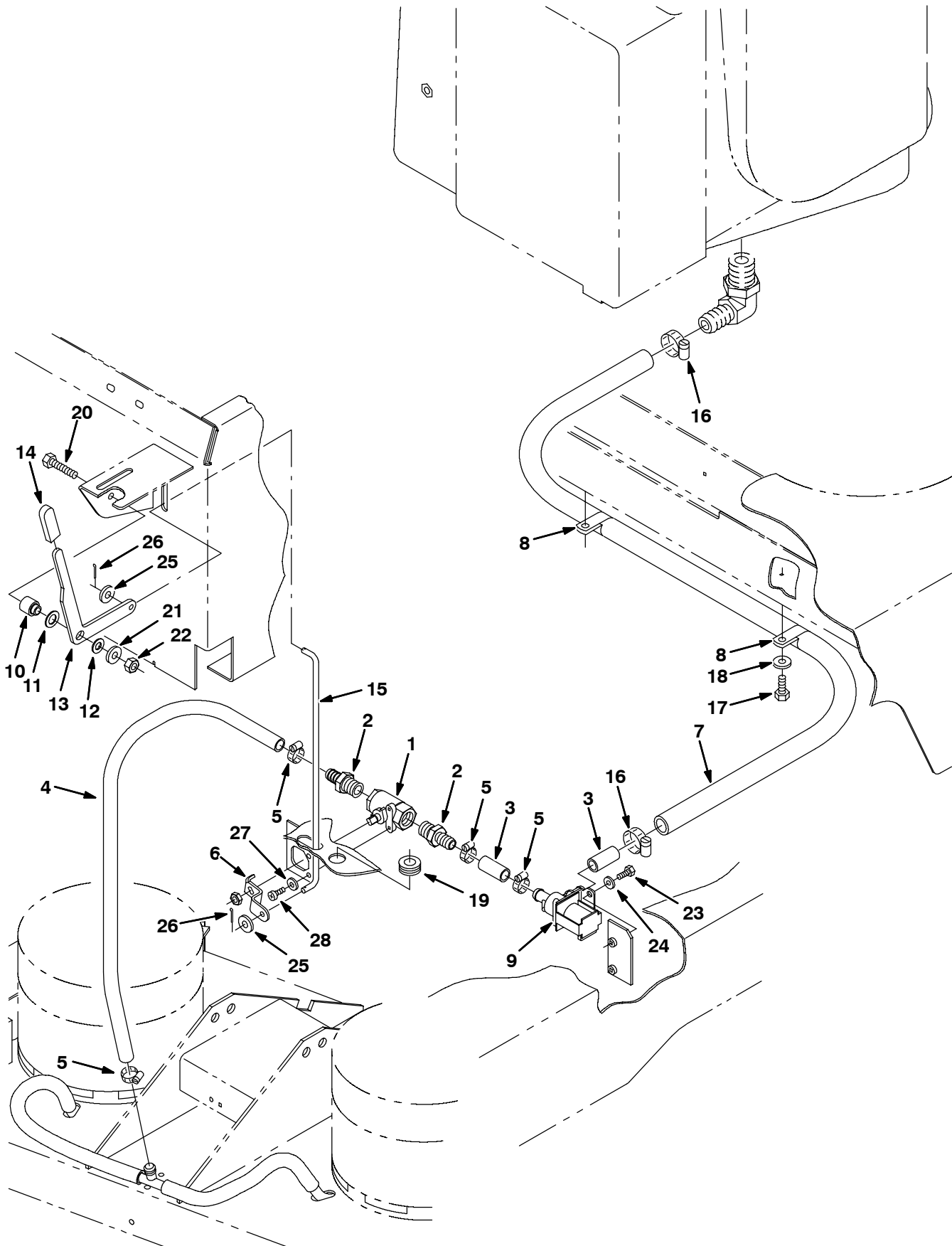


Fig. 23 - Solution Control Group

Ref.	Part No.	Serial Number	Description	Qty.
1	12083	(000000-	) Valve, Ball, Pf08, Ss	1
2	79273-4	(000000-	) Fitting, Plstc, Str, Bm08/Pm08	2
3	71793	(000000-	) Hose, Pvc, Clr, 0.50id 0.75od 001.50l	2
4	223515	(000000-	) Hose, Pvc, Brd, 0.50id 0.73od 015.6l,Clr	1
5	54333	(000000-	) Clamp, Hose, Wormdrive, 0.31-0.88d, .31w	4
6	223238	(000000-	) Arm, Valve, Water, 1.6 Sl /.27h, Offset	1
7	223247	(000000-	) Hose, Pvc, Brd, 0.75id 1.03od 058.0l,Clr	1
8	69234	(000000-	) Clamp, Cable, Stl, 1.00d X 0.75w, 1hole	2
9	222113	(000000-	) Valve, Water, Solenoid, 36vdc Bm10/Bm10	1
10	223235	(000000-	) Sleeve, Fling, 0.32b 0.75/0.49d 0.9l, Stl	1
11	86860	(000000-	) Bearing, Thrust, 0.50b 0.87d 0.06w	1
12	43611	(000000-	) Washer, Flat, 0.39b 0.75d .06, Nyl	1
13	223232	(000000-	) Lever, Cntrl	1
14	222190	(000000-	) Grip, Handle	1
15	223233	(000000-	) Rod, Valve	1
16	86824	(000000-	) Clamp, Hose, Wormdrive, 0.50-1.06d, .50w	2
17	09740	(000000-	) Screw, Hex, M8 X 1.25 X 20, Ss	2
18	01686	(000000-	) Washer, Flat, 0.44b 1.00d .08, Ss	2
19	10632-9	(000000-	) Grommet, Rbr, 0.63id, F/0.8h, .12 Matl	1
20	06956	(000000-	) Screw, Hex, M8 X 1.25 X 45, 8.8	1
21	01685	(000000-	) Washer, Flat, 0.38b 0.88d .08, Ss	1
22	08709	(000000-	) Nut, Hex, Lock, M8 X 1.25, NI	1
23	39648	(000000-	) Screw, Pan, #10-24 X 0.38, G1	2
24	32980	(000000-	) Washer, Lock, Int, #10	2
25	01684	(000000-	) Washer, Flat, 0.27b 0.69d .05, Ss	2
26	08170	(000000-	) Pin, Cotter, .062 X 0.50	2
27	32980	(000000-	) Washer, Lock, Int, #10	2
28	39648	(000000-	) Screw, Pan, #10-24 X 0.38, G1	2
	614265		Kit, Water, Valve, Rebuild	1

Fig. 24 - FaST Air Pump and Detergent Group

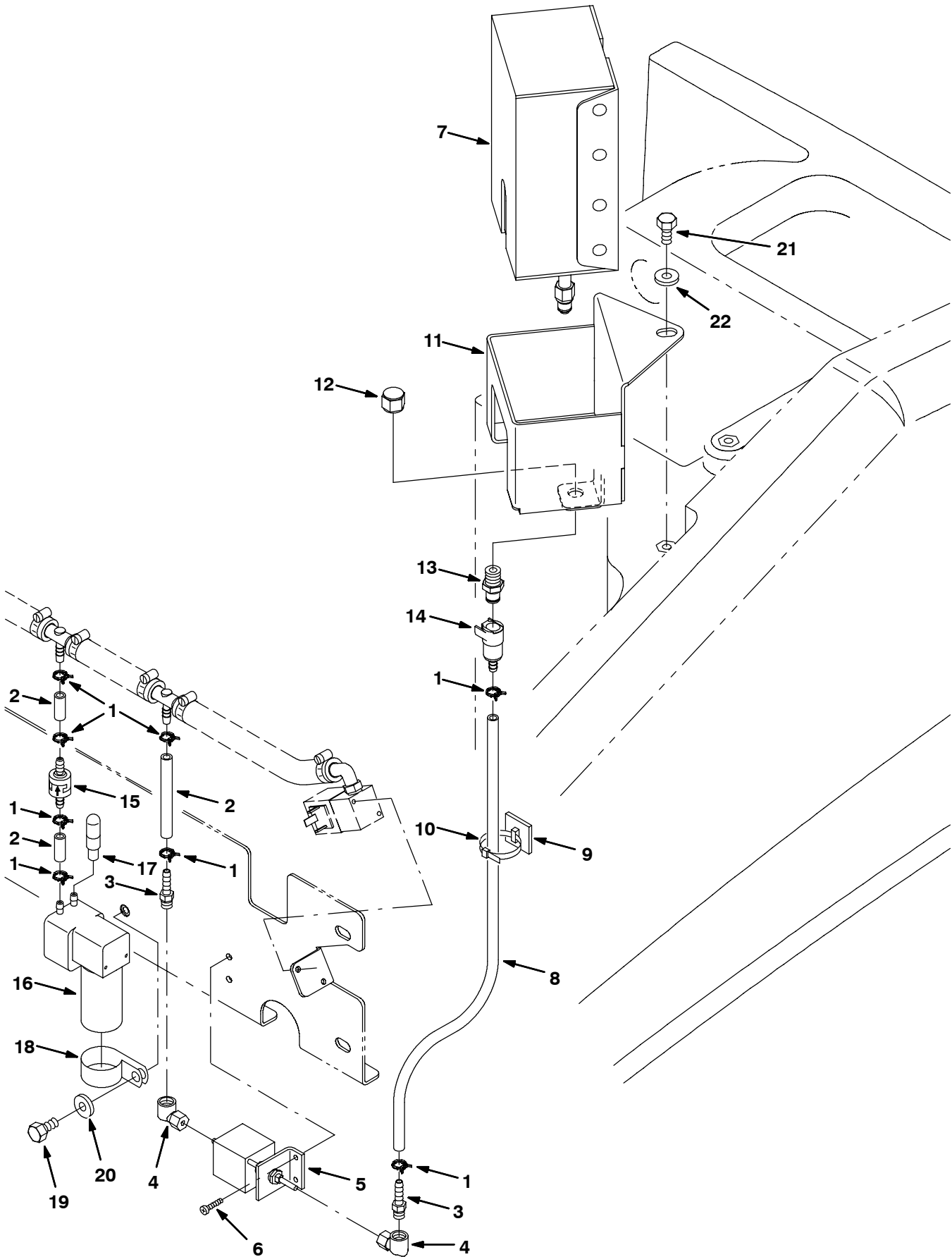


Fig. 24 - FaST Air Pump and Detergent Group

Ref.	Part No.	Serial Number	Description	Qty.
1	613735	(000000-	) Clamp, Hose, Wir, .40 - .42 [Dbl Wire]	8
2	1014987	(000000-	) Hose, Afmkt, Pvc, Clr, 0.25id, 01ft	1
3	150525	(000000-	) Fitting, Brs, Str, Bm04/Pm02	2
4	1014082	(000000-	) Fitting, Brs, E90, Cf03/Pf02	2
5	1013789	(000000-	) Pump, Detgt [560s]	1
6	24265	(000000-	) Screw, Pan, M4 X 0.7 X 16, Ss	2
7	1017015	(000000-	) Detergent, Pkg, 2 Liter, Sgl [365]	-
7	1017022	(000000-	) Detergent, Pkg, 2 Liter, Sgl [665]	-
7	9002021	(000000-	) Detergent, 2 Liter [Fast 965]	-
8	1014985	(000000-	) Hose, Afmkt, Pvc, Clr, 0.25id, 08ft	1
9	55248	(000000-	) Mount, Cable Tie	2
10	49266	(000000-	) Tie, Cable, Nyl, 07.3l .19w 1.8 Max D	2
11	1014854	(000000-	) Bracket Wldt, Box, Detgt	1
12	1005435	(000000-	) Fitting, Plstc, Pipe, Cap, Pf04	1
13	1002899	(000000-	) Fitting, Plstc, Str, Pm04, Cplg, Mal	1
14	1002898	(000000-	) Fitting, Plstc, Str, Bm04, Cplg, Fem	1
15	1013902	(000000-	) Valve, Check, 0002psi Bm04/Bm04	1
16	1008211	(000000-	) Pump, Air, Ele, 36vdc	1
17	1005255	(000000-	) Filter Assy, Air, Mold, Ure	1
18	86328	(000000-	) Clamp, Cable, Stl, 1.50d X 0.75w, 1hole	1
19	09740	(000000-	) Screw, Hex, M8 X 1.25 X 20, Ss	1
20	01685	(000000-	) Washer, Flat, 0.38b 0.88d .08, Ss	1
21	16931	(000000-	) Screw, Hex, M8 X 1.25 X 20, 8.8	1
22	32491	(000000-	) Washer, Flat, 0.31, Std	1

Fig. 25 - FaST Solution Pump Group

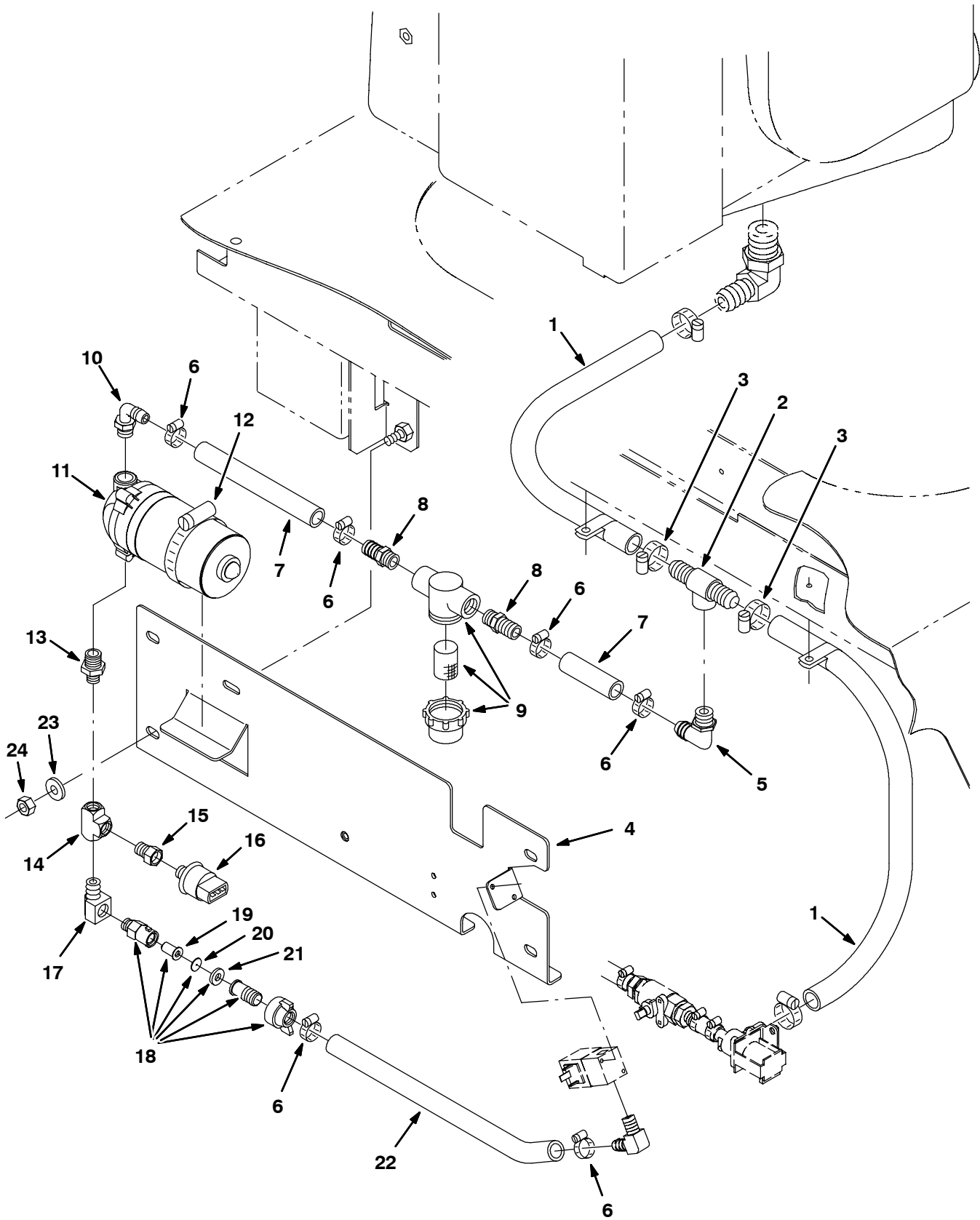




Fig. 25 - FaST Solution Pump Group

Ref.	Part No.	Serial Number	Description	Qty.	
1	1015163	(000000-	) Hose, Pvc, Brd, 0.75id 1.03od 028.0l,Clr	2	
2	64740	(000000-	) Fitting, Plstc, Tee, Bm12/Bm12/Pf08, Br	1	
3	86824	(000000-	) Clamp, Hose, Wormdrive, 0.50-1.06d, .50w	2	
4	1014750	(000000-	) Plate, Mtg, Pump	1	
5	86509	(000000-	) Fitting, Plstc, E90, Bm08/Pm08, Nyl	1	
6	54333	(000000-	) Clamp, Hose, Wormdrive, 0.31-0.88d, .31w	6	
7	1011403	(000000-	) Hose, Afmkt, Pvc, Brd, 0.50id, 01ft, Clr	1	
8	64743	(000000-	) Fitting, Plstc, Str, Bm08/Pm06	2	
9	1005302	(000000-	) Filter, In-Line, Pf06/Pf06, 80 Mesh	1	
10	64778	(000000-	) Fitting, Plstc, E90, Bm08/Pm06	1	
11	1005866	(000000-	) Pump, Soltn, Ele, 36vdc	1	
12	17188	(000000-	) Clamp, Hose, Wormdrive, 2.50-3.50d, .50w	1	
13	1010835	(000000-	) Fitting, Brs, Str, Pm04/Pm06	1	
14	398474	(000000-	) Fitting, Brs, Tee, Pf04/Pf04/Pf04	1	
15	150100	(000000-	) Fitting, Brs, Str, Pf02/Pm04	1	
16	1028582	(000000-	) Switch, Press, 0010psi Spst	1	
17	27048	(000000-	) Fitting, Brs, E90, Pf04/Pm04	1	
▽	18	1014851	(000000-	) Fitting Assy, Cap, 0.054b, Bm08/Pm04	1
▲	19	1006447	(000000-	) Filter, Screen, 050 Mesh .59d .8l Ss	1
▲	20	1014852	(000000-	) Plate, Orifice, 0.054id	1
▲	21	1005508	(000000-	) Washer, Flat, 0.34b 0.75d .12 [Viton]	1
	22	1011521	(000000-	) Hose, Afmkt, Pvc, Brd, 0.50id, 02ft, Clr	1
	23	01686	(000000-	) Washer, Flat, 0.44b 1.00d .08, Ss	4
	24	08714	(000000-	) Nut, Hex, Lock, M10 X 1.5, NI, Ss	4

# STANDARD PARTS

Fig. 26 - FaST Foam Filter Group, Disk Scrub Head, 900mm (36 in)

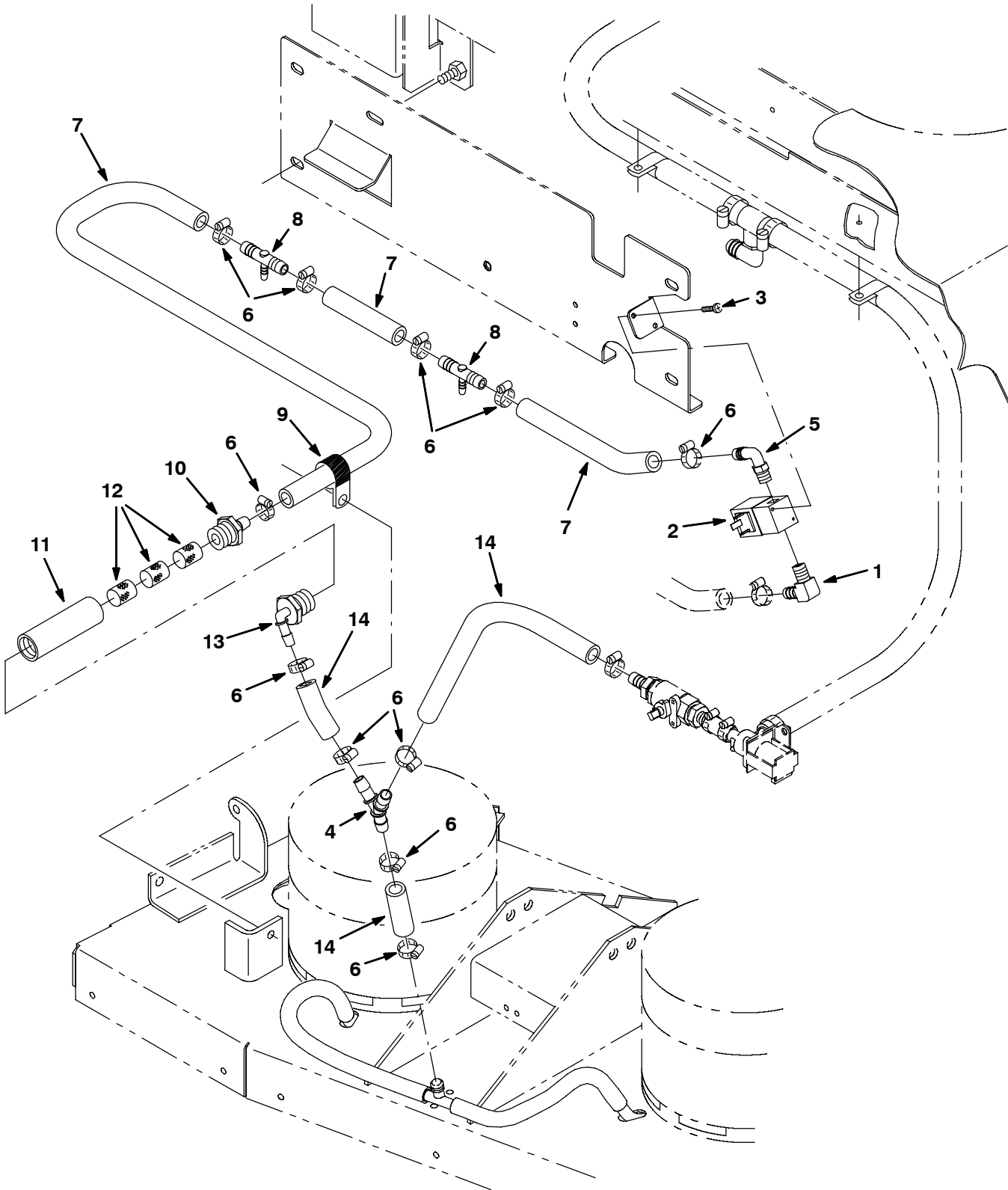


Fig. 26 - FaST Foam Filter Group, Disk Scrub Head, 900mm (36 in)

Ref.	Part No.	Serial Number	Description	Qty.
1	1010836	(000000-	) Fitting, Brs, E90, Bm08/Pm04	1
2	1028579	(000000-	) Valve, Water, Solenoid, 36vdc Pf02	1
3	09200	(000000-	) Screw, Pan, M5 X 0.8 X 12, Ss	2
4	1010668	(000000-	) Fitting, Plstc, Y, Bm08/Bm08/Bm08, Nyl	1
5	1010713	(000000-	) Fitting, Plstc, E90, Bm08/Pm04, Nyl	1
6	54333	(000000-	) Clamp, Hose, Wormdrive, 0.31-0.88d, .31w	11
7	1011412	(000000-	) Hose, Afmkt, Pvc, Brd, 0.50id, 08ft, Clr	1
8	1010684	(000000-	) Fitting, Plstc, Tee, Bm04/Bm08/Bm08, Br	1
9	58366	(000000-	) Clamp, Cable, Stl, 1.25d X 1.00w, 1hole	1
10	79273-1	(000000-	) Fitting, Plstc, Str, Bm08/Pm12	1
11	1005086	(000000-	) Hose, Pvc, Clr, 0.94id 1.29od 04.0l	1
12	1002789	(000000-	) Filter, Foam, Rbr, 1.20d, 1.0l	3
13	1005552	(000000-	) Fitting, Plstc, E90, Bm08/Pm12, Nyl	1
14	1011521	(000000-	) Hose, Afmkt, Pvc, Brd, 0.50id, 02ft, Clr	1

**Fig. 27 - FaST Foam Filter Group, Cylindrical Scrub Head, 900mm (36 in)**

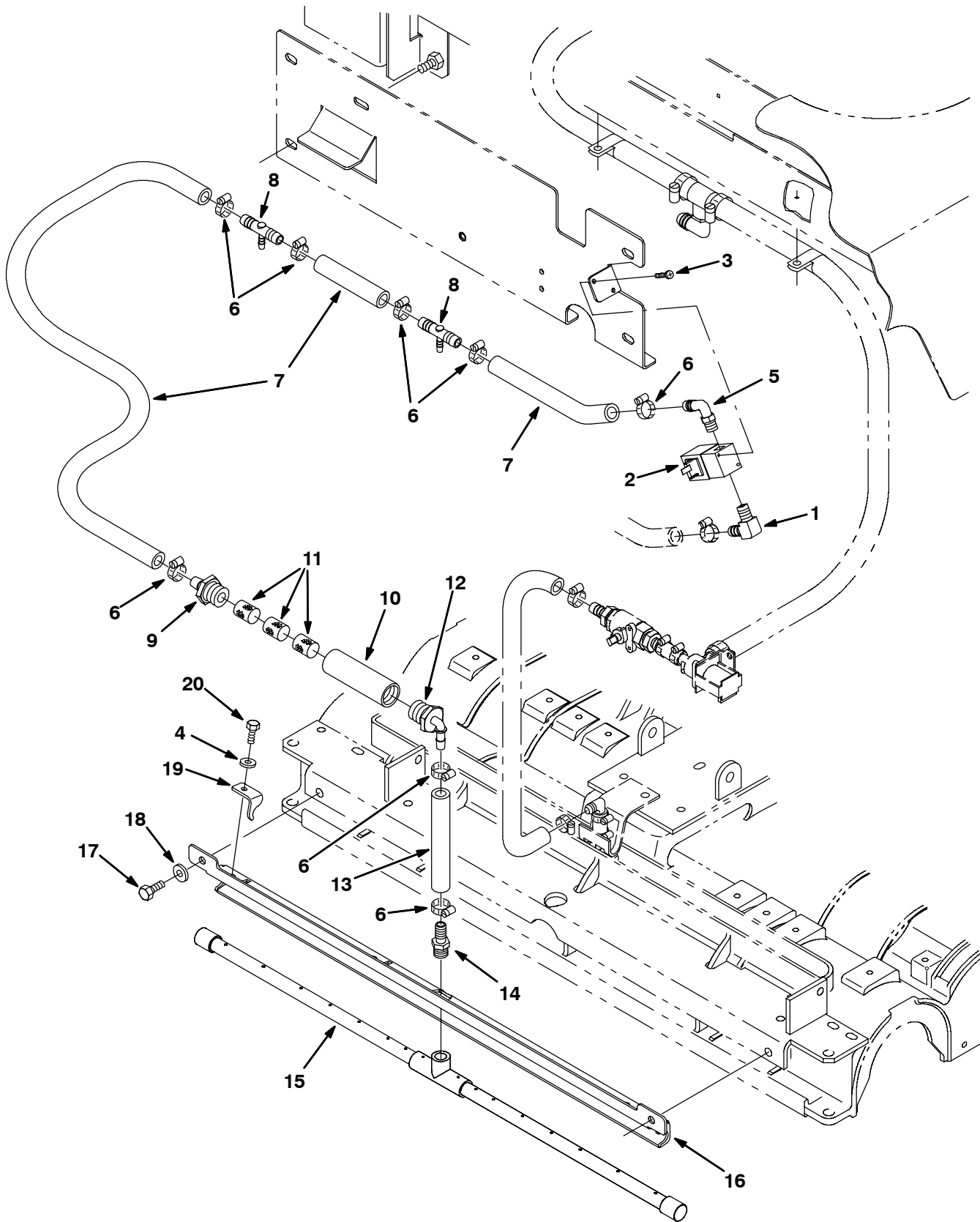


Fig. 27 - FaST Foam Filter Group, Cylindrical Scrub Head, 900mm (36 in)

Ref.	Part No.	Serial Number	Description	Qty.
1	1010836	(000000-	) Fitting, Brs, E90, Bm08/Pm04	1
2	1009603	(000000-	) Valve, Water, Solenoid, 36vdc 02pf	1
3	09200	(000000-	) Screw, Pan, M5 X 0.8 X 12, Ss	2
4	01684	(000000-	) Washer, Flat, 0.27b 0.69d .05, Ss	1
5	1010713	(000000-	) Fitting, Plstc, E90, Bm08/Pm04, Nyl	1
6	54333	(000000-	) Clamp, Hose, Wormdrive, 0.31-0.88d, .31w	8
7	1011412	(000000-	) Hose, Afmkt, Pvc, Brd, 0.50id, 08ft, Clr	1
8	1010684	(000000-	) Fitting, Plstc, Tee, Bm04/Bm08/Bm08, Br	1
9	79273-1	(000000-	) Fitting, Plstc, Str, Bm08/Pm12	1
10	1005086	(000000-	) Hose, Pvc, Clr, 0.94id 1.29od 04.0l	1
11	1002789	(000000-	) Filter, Foam, Rbr, 1.20d, 1.0l	3
12	1005552	(000000-	) Fitting, Plstc, E90, Bm08/Pm12, Nyl	1
13	1011403	(000000-	) Hose, Afmkt, Pvc, Brd, 0.50id, 01ft, Clr	1
14	64743	(000000-	) Fitting, Plstc, Str, Bm08/Pm06	1
15	1015139	(000000-	) Tube Assy, Spray, Cyl, 0900mm [7200]	1
16	1015147	(000000-	) Bracket Wldt, Bar, Spray, 900mm [7200]	1
17	12273	(000000-	) Screw, Hex, M8 X 1.25 X 20, Ss, NI	1
18	01685	(000000-	) Washer, Flat, 0.38b 0.88d .08, Ss	1
19	1014673	(000000-	) Bracket, Bar, Spray	1
20	11635	(000000-	) Screw, Hex, M6 X 1.0 X 12, Ss, NI	1

Fig. 28 - FaST Instrument and Electrical Panel Group

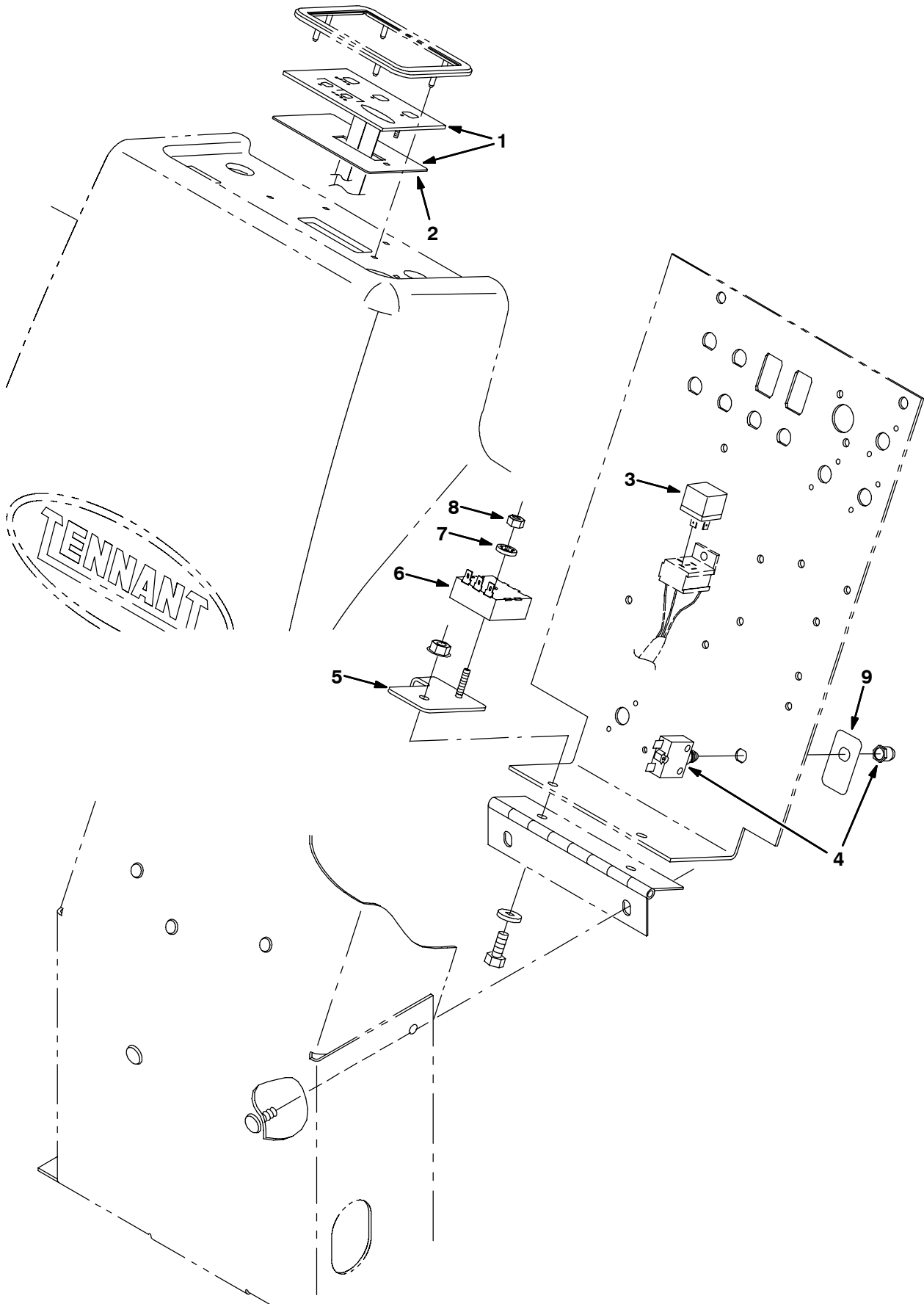
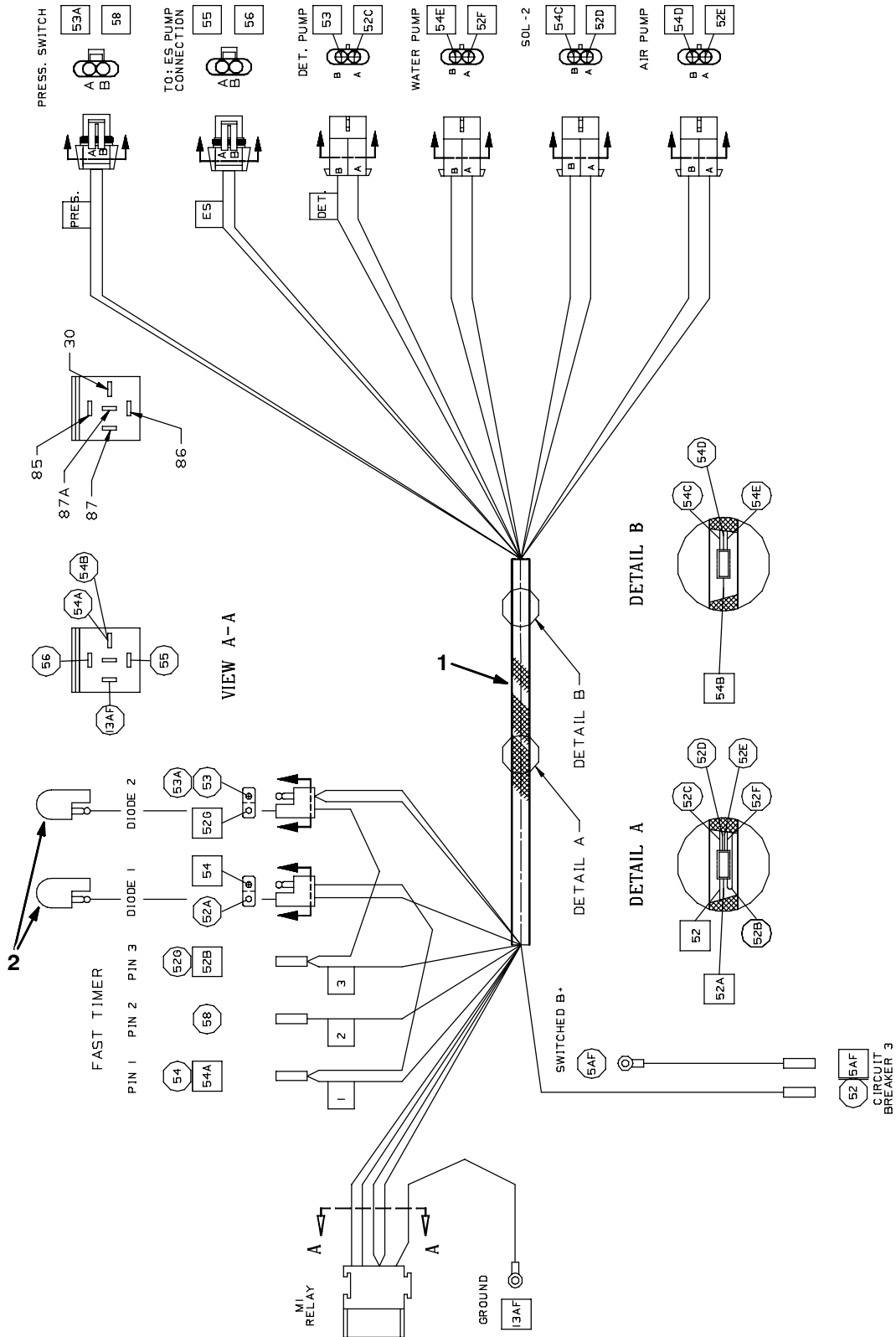


Fig. 28 - FaST Instrument and Electrical Panel Group

	Ref.	Part No.	Serial Number	Description	Qty.
▽	1	1014898	(000000-	) Panel Assy, Touch [7200 Fast]	1
▲	2	223332	(000000-	) Gasket, Panl, Touch	1
	3	398526	(000000-	) Relay, 36vdc, 005a, Spdt No [Greenwich]	1
	4	383721	(000000-	) Circuitbreaker, 10.0a	1
	5	1014853	(000000-	) Bracket, Timer	1
	6	1028586	(000000-	) Timer, 36vdc, Detgt [.5on/1.17off]	1
	7	32989	(000000-	) Washer, Lock, Int, 0.50	1
	8	08708	(000000-	) Nut, Hex, Lock, M6 X 1.00, NI	1
	9	1015087	(000000-	) Label, Opertnl, Circuitbreaker	1

Fig. 29 - FaST Wire Harness Group



354214

Ref.	Part No.	Serial Number	Description	Qty.
1	391920	(000000-	) Harness [7200 Fast]	1
2	222290	(000000-	) Diode, Ele, Plug	2



Fig. 30 - FaST Electrical Schematic

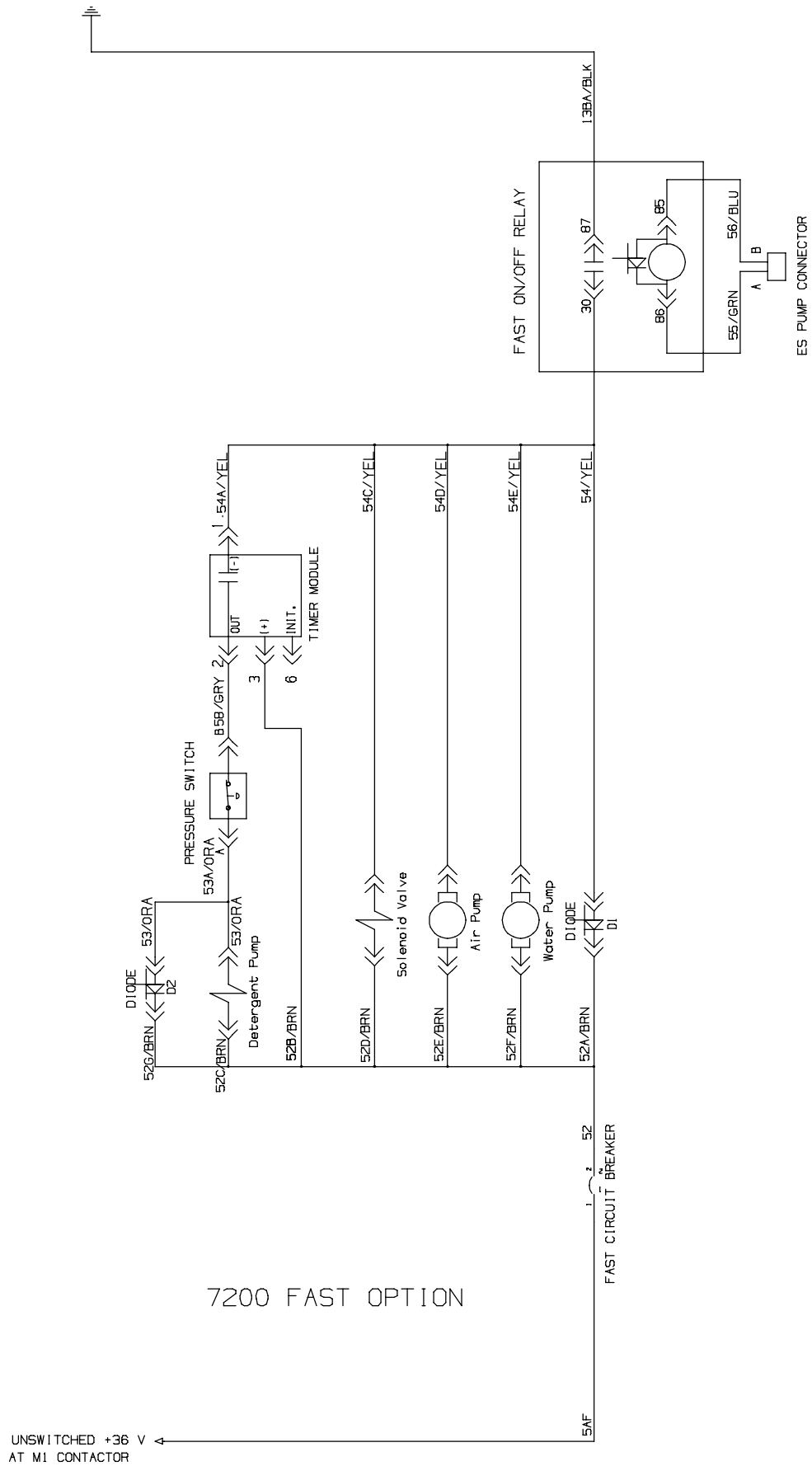


Fig. 31 - Battery Cable Group

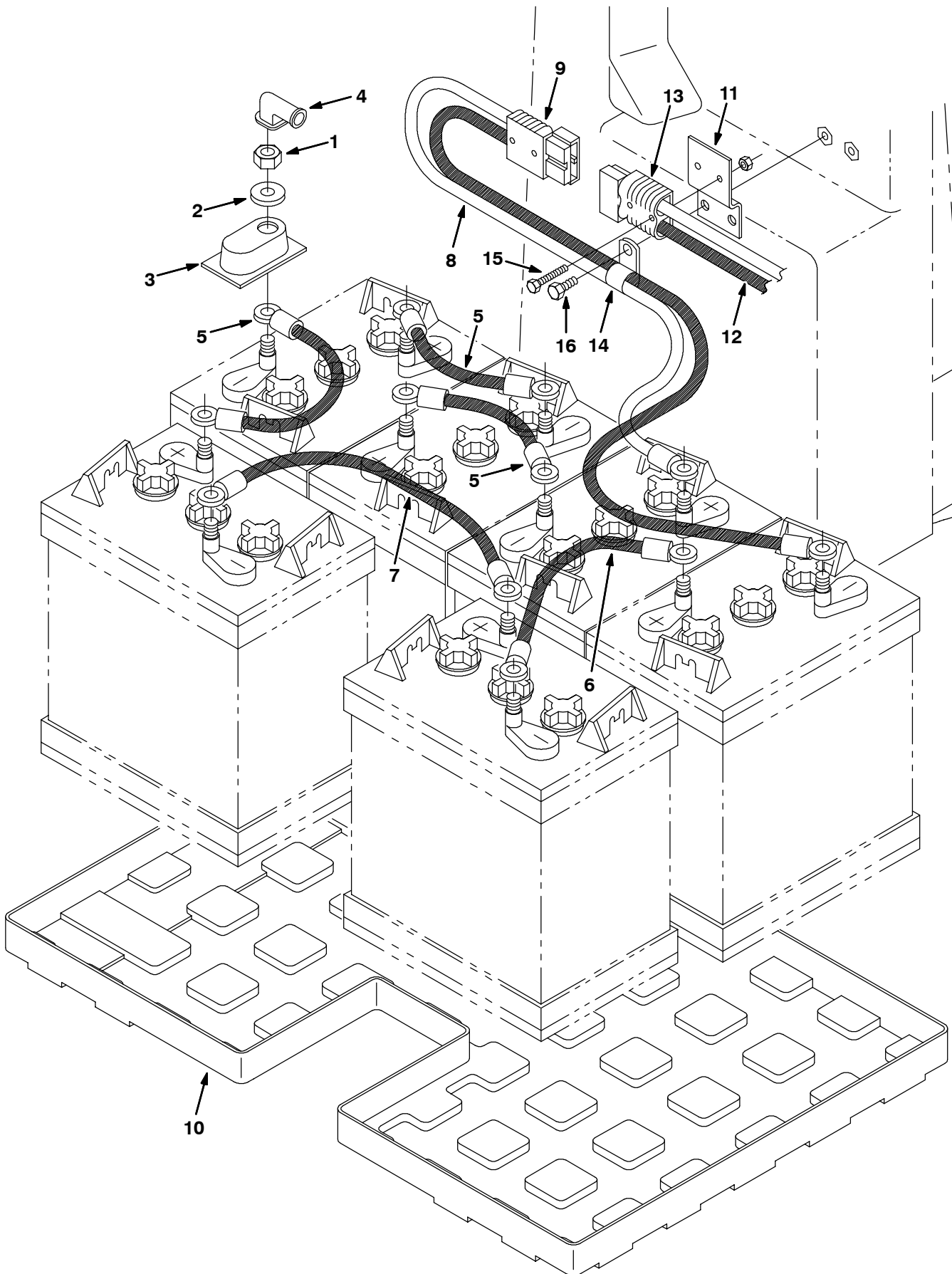


Fig. 31 - Battery Cable Group

Ref.	Part No.	Serial Number	Description	Qty.	
1	87435	(000000-	) Nut, Hex, Flexlock, .31-18	12	
2	01685	(000000-	) Washer, Flat, 0.38b 0.88d .08, Ss	12	
3	45962	(000000-	) Cap, Plstc, .04 1.38 X 2.30 0.5l	12	
4	02076	(000000-	) Boot, 90deg .50id .57id X .84id 1.0l,Blk	12	
5	223355	(000000-	) Cable, 04ga 08.0l Blk .34ring /.34ring	3	
6	223356	(000000-	) Cable, 04ga 12.0l Blk .34ring /.34ring	1	
7	223364	(000000-	) Cable, 04ga 18.0l Blk .34ring /.34ring	1	
▽	8	223361	(000000-	) Cable Assy, 04ga .34ring /.34ring, 175a	1
▲	9	22892	(000000-	) Connector, Anderson, 175a, Gray	1
10	223246	(000000-	) Tray, Battery	1	
11	223366	(000000-	) Bracket, Connector	1	
▽	12	223362	(000000-	) Harness, Controller [7200]	1
▲	13	22892	(000000-	) Connector, Anderson, 175a, Gray	1
14	49287	(000000-	) Clamp, Cable, Stl, 0.75d X 0.88w, 1hole	1	
15	33944	(000000-	) Screw, Pan, M6 X 1.00 X 35, 4.8	2	
16	49826	(000000-	) Screw, Hex, M8 X 1.25 X 16, Ss, NI	2	

Fig. 32 - Rear Squeegee Lift Group

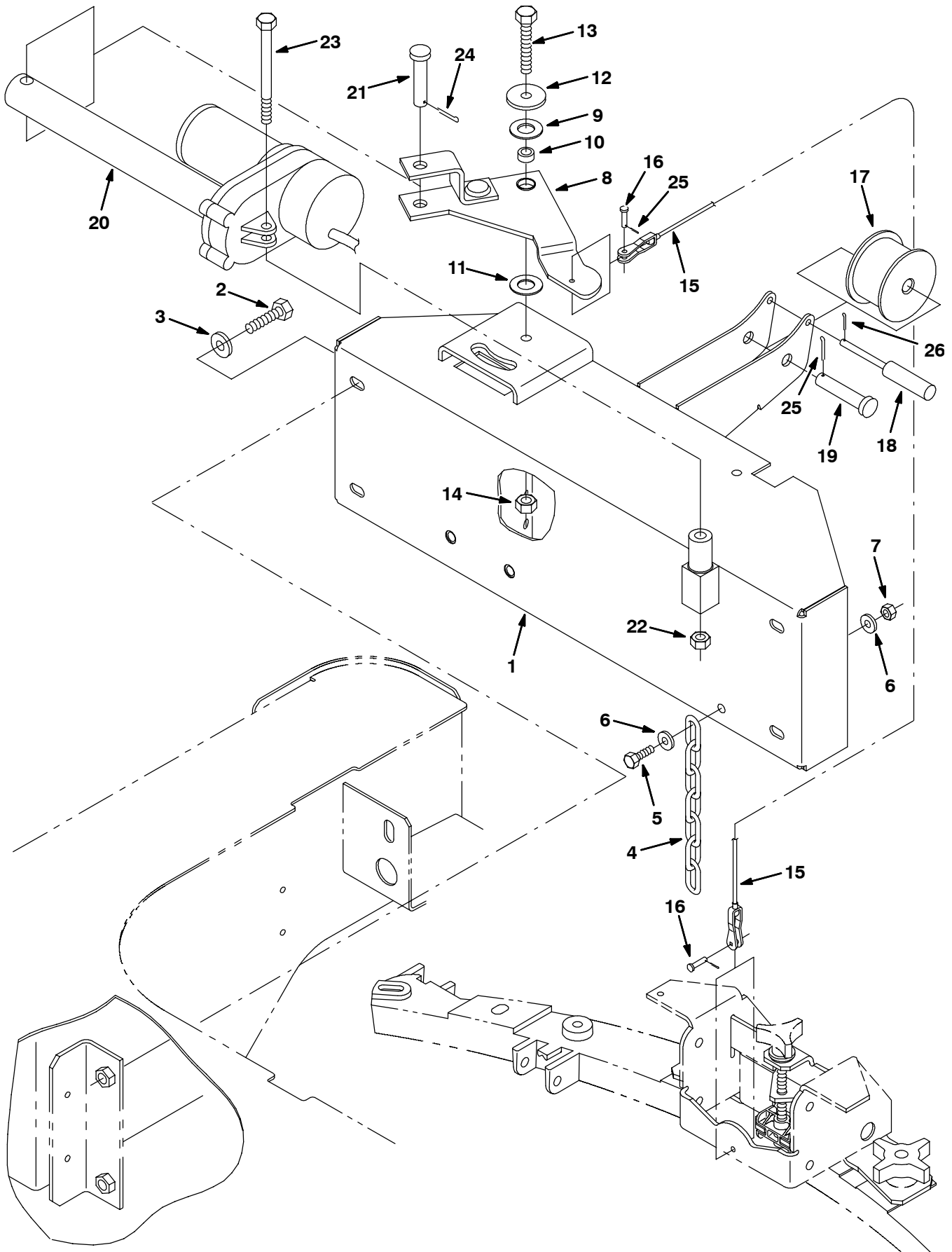


Fig. 32 - Rear Squeegee Lift Group

Ref.	Part No.	Serial Number	Description	Qty.
1	223210	(000000-006071 )	Channel Wldt, Mtg, Sqge	1
1	385622	(006072- xxxxxx )	Channel Wldt, Mtg, Sqge	1
1	385680	( xxxxxx- )	Channel Wldt, Mtg, Sqge	1
2	05720	(000000- )	Screw, Hex, M10 X 1.5 X 40, Ss, Fl	4
3	01686	(000000- )	Washer, Flat, 0.44b 1.00d .08, Ss	4
4	40758	(000000- )	Chain, Coil, Str, 2/0, 06.9l 05 Link	1
5	09011	(000000- )	Screw, Hex, M8 X 1.25 X 30, Ss	1
6	01685	(000000- )	Washer, Flat, 0.38b 0.88d .08, Ss	2
7	08713	(000000- )	Nut, Hex, Lock, M8 X 1.25, NI, Ss	1
8	223218	(000000- )	Bellcrank Wldt, Lift, Sqge, Rear	1
9	64425	(000000- )	Washer, Thrust, 0.61b 1.25d .06, Fgl	1
10	71658	(000000- )	Sleeve, P/M, 0.40b 0.62d 0.3l [304ss]	1
11	07450	(000000- )	Bearing, Thrust, 0.66b 1.25d 0.06w	1
12	33948	(000000- )	Washer, Flat, 0.38, Fendr	1
13	04417	(000000- )	Screw, Hex, M10 X 1.5 X 60, Ss	1
14	08714	(000000- )	Nut, Hex, Lock, M10 X 1.5, NI, Ss	1
15	223227	(000000- )	Cable, Ss .12d 015.6l .2clevis /.2clevis	1
16	77488	(000000- )	Pin, Clevis, 0.19d X 0.63l	2
17	223054	(000000- )	Drum, Cable, Lift	1
18	223547	(000000- )	Pin, 0.62d/0.25d 04.8l	1
19	06279	(000000- )	Pin, Clevis, 0.50d X 2.50l	1
20	223360	(000000- )	Actuator, 36vdc, 06.0strk, 300lb	1
21	11211	(000000- )	Pin, Clevis, 0.50d X 2.25l	1
22	36643	(000000- )	Nut, Hex, Lock, .38-16, NI, Thin	1
23	20175	(000000- )	Screw, Hex, .38-16 X 4.50, G5	1
24	08175	(000000- )	Pin, Cotter, .125 X 1.25	1
25	39005	(000000- )	Pin, Cotter, .094 X 0.75	2
26	08178	(000000- )	Pin, Cotter, .062 X 0.75	1

Fig. 33 - Rear Squeegee Linkage Group (000000-006071)

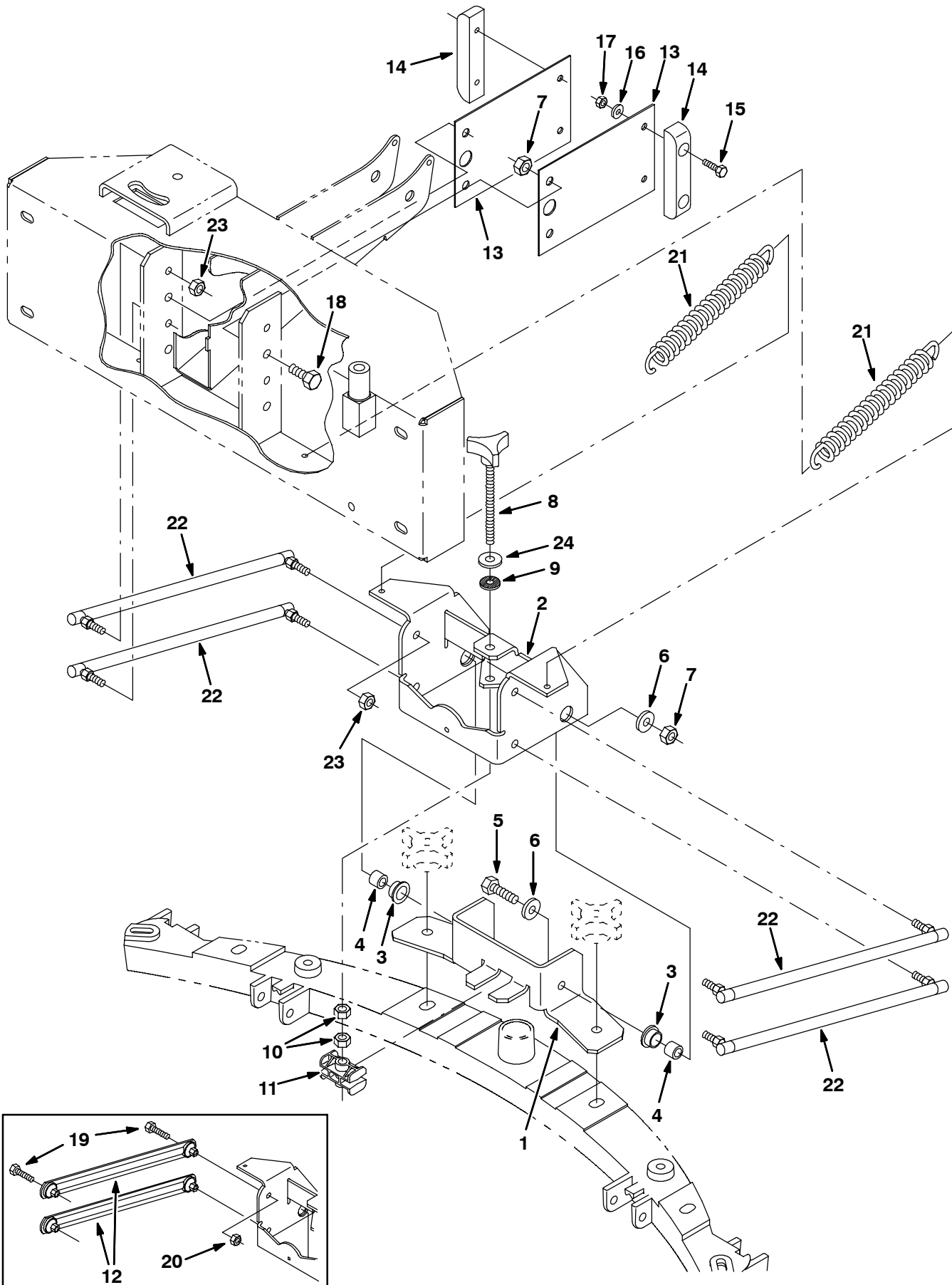


Fig. 33 - Rear Squeegee Linkage Group (000000-006071)

Ref.	Part No.	Serial Number	Description	Qty.
1	223225	(000000-006071 )	Bracket, Mtg, Pivot, Sqge	1
2	223226	(000000-006071 )	Bracket Wldt, Lift, Sqge	1
3	25735	(000000-006071 )	Bushing, Flng, 0.63b 0.75d 0.38l	2
4	71257	(000000-006071 )	Tube, 0.41id 0.62od 00.5l, Ss, Cham	2
5	77347	(000000-006071 )	Screw, Hex, M10 X 1.5 X 35, Ss	2
6	01686	(000000-006071 )	Washer, Flat, 0.44b 1.00d .08, Ss	4
7	08714	(000000-006071 )	Nut, Hex, Lock, M10 X 1.5, NI, Ss	6
8	71090	(000000-006071 )	Assy, Star, 2.00d 3ear M08x1.25 4.3	1
9	63416	(000000-006071 )	Washer, Flat, 0.31b 0.88d .12, Rbr	1
10	07786	(000000-006071 )	Nut, Hex, Std, M8 X 1.25, Ss	2
11	222233	(000000-006071 )	Block, Sqge, Adj	1
12	223230	(000000-006071 )	Link, Square Rep.By369407	4
13	223541	(000000-006071 )	Spring, Flat, .06, 4.50w X 07.0l	2
14	71211	(000000-006071 )	Block, Centering	2
15	08716	(000000-006071 )	Screw, Hex, M6 X 1.0 X 20, Ss	4
16	01684	(000000-006071 )	Washer, Flat, 0.27b 0.69d .05, Ss	4
17	08712	(000000-006071 )	Nut, Hex, Lock, M6 X 1.00, Ss, NI	4
18	09291	(000000-006071 )	Screw, Hex, M10 X 1.5 X 20, Ss	4
19	09023	(000000-006071 )	Screw, Hex, M8 X 1.25 X 35, Ss, FI	8
20	08713	(000000-006071 )	Nut, Hex, Lock, M8 X 1.25, NI, Ss	8
21	223229	(000000-006071 )	Spring, Extn, 1.00od 0.13wir 09.0l	2
22	369407	(000000-006071 )	Link, Squeegee Rep.By 385648	4
23	32960	(000000-006071 )	Nut, Hex, Lock, .31-24, NI	8
24	32490	(000000-006071 )	Washer, Flat, 0.25, Std	1

# STANDARD PARTS

Fig. 34 - Rear Squeegee Linkage Group (006072- )

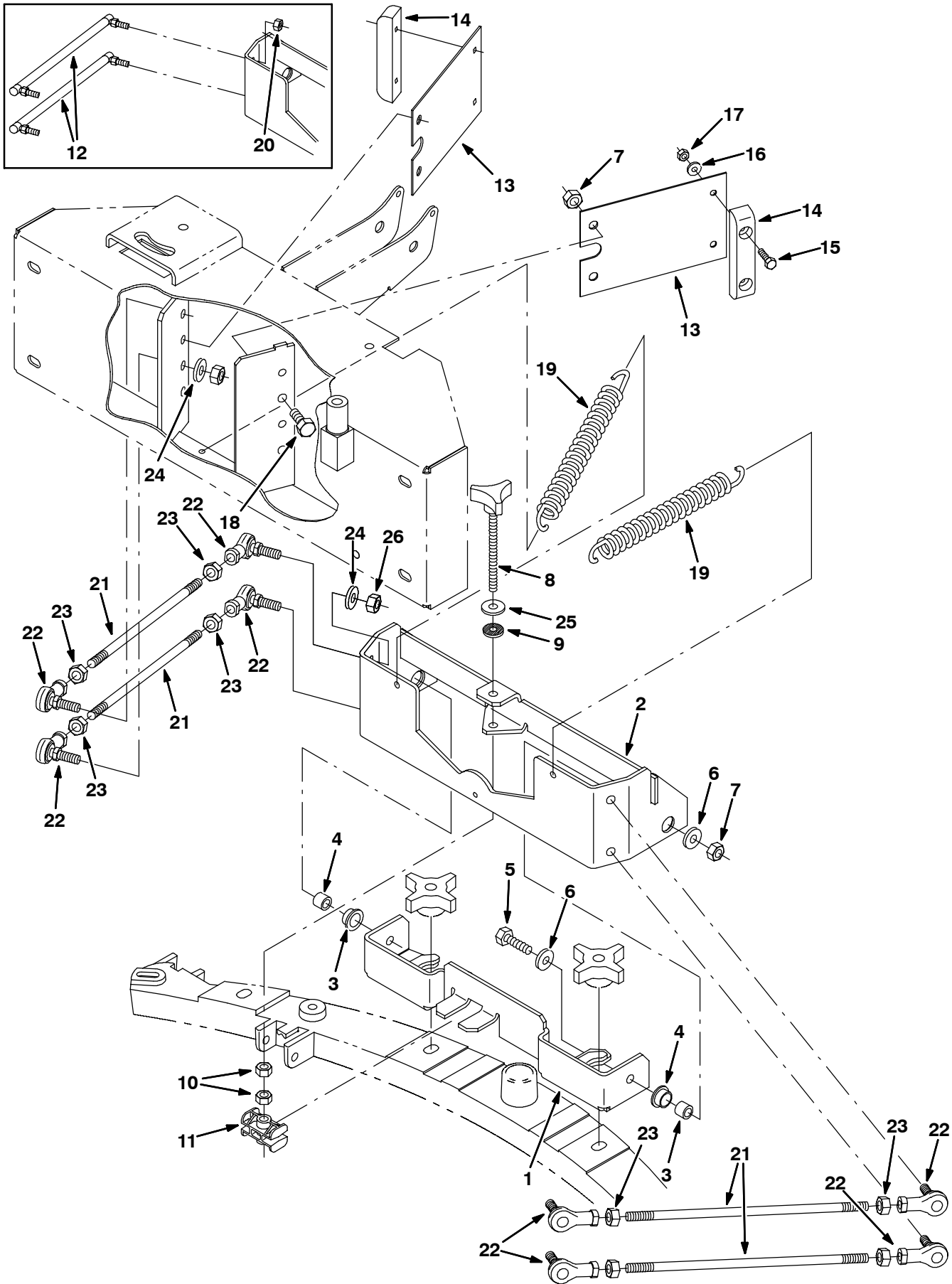




Fig. 34 - Rear Squeegee Linkage Group (006072- )

Ref.	Part No.	Serial Number	Description	Qty.
1	398309	(006072-007999 )	Conv Kit, Sqge, 700mm [Breakaway, 7200]	1
1	398310	(006072-007999 )	Conv Kit, Sqge, 900mm [Breakaway, 7200]	1
1	398307	(008000- )	Bracket Wldt, Pivot	1
2	369459	(006072-007999 )	Bracket Wldt, Lift, Sqge	1
2	385678	(008000- )	Bracket Wldt, Lift, Sqge	1
3	25735	(006072- )	Bushing, Flng, 0.63b 0.75d 0.38l	2
4	71257	(006072- )	Tube, 0.41id 0.62od 00.5l, Ss, Cham	2
5	77347	(006072- )	Screw, Hex, M10 X 1.5 X 35, Ss	2
6	01686	(006072- )	Washer, Flat, 0.44b 1.00d .08, Ss	4
7	08714	(006072- )	Nut, Hex, Lock, M10 X 1.5, NI, Ss	6
8	71090	(006072- )	Assy, Star, 2.00d 3ear M08x1.25 4.3	1
9	63416	(006072- )	Washer, Flat, 0.31b 0.88d .12, Rbr	1
10	07786	(006072- )	Nut, Hex, Std, M8 X 1.25, Ss	2
11	222233	(006072- )	Block, Sqge, Adj	1
12	385648	(006072- xxxxxx )	Link Kit, Sqge, Repair	1
13	223541	(006072- )	Spring, Flat, .06, 4.50w X 07.0l	2
14	71211	(006072- )	Block, Centering	2
15	08716	(006072- )	Screw, Hex, M6 X 1.0 X 20, Ss	4
16	01684	(006072- )	Washer, Flat, 0.27b 0.69d .05, Ss	4
17	08712	(006072- )	Nut, Hex, Lock, M6 X 1.00, Ss, NI	4
18	09291	(006072- )	Screw, Hex, M10 X 1.5 X 20, Ss	4
19	223229	(006072- )	Spring, Extn, 1.00od 0.13wir 09.0l	2
20	32960	(006072- xxxxxx )	Nut, Hex, Lock, .31-24, NI	8
21	385646	( xxxxxx- )	Rod, Thrd, 2 End, .38-24 11.3l	4
22	86781	( xxxxxx- )	Rod-End, 0.38-24rh Fem 0.38-24stud	8
23	20171	( xxxxxx- )	Nut, Hex, Jam, .38-24	8
24	43953	( xxxxxx- )	Washer, Lock, Int, 0.38, Ss	8
25	32490	(006072- )	Washer, Flat, 0.25, Std	1
26	67312	( xxxxxx- )	Nut, Hex, Lock, .38-24, NI	8

**Fig. 35 - Rear Squeegee Group, 900 mm (36 in)**

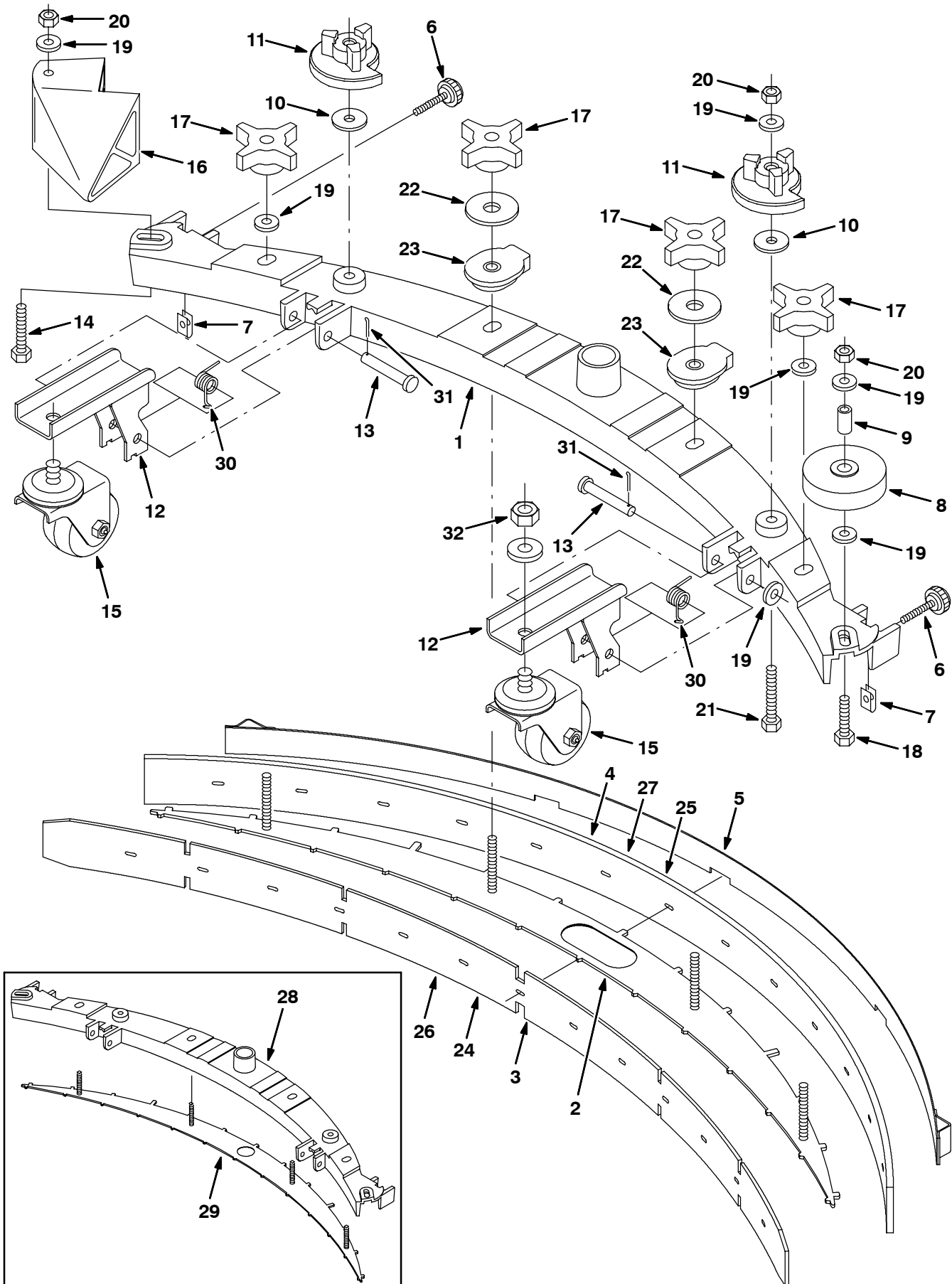


Fig. 35 - Rear Squeegee Group, 900 mm (36 in)

Ref.	Part No.	Serial Number	Description	Qty.
▽	389865	(000000-	) Squeegee Assy, 900mm [ <del>7200</del> Linatex	1
▲	1 392206	(008344-	) Frame, Sqge, 114cm [90cm/36, 5700]	1
▲	2 392220	(008344-	) Plate, Retainer, Blade, 36.0inch /900mm	1
▲	3 223606	(000000-	) Blade, Sqge, Front, 47.41l <del>Rbr</del> [900mm] Linard (5 slot)	1
▲	4 222415	(000000-	) Blade, Sqge, Rear, 49.37l Linatex[900mm]	1
▲	5 222417	(000000-	) Retainer Wldt, Sqge, 36.0 [5700]	1
▲	6 222794	(000000-	) Knob Assy, Rnd, 1.00d 0.66l .25-20 1.5l	2
▲	7 82138	(000000-	) Nut, Spd, Clip, .25-20 [.025-.150]	2
▲	8 222066	(000000-	) Wheel, 03.0d 0.88w 0.50b	1
▲	9 222496	(000000-	) Sleeve, P/M, 0.31b 0.50d 0.9l [430ss]	1
▲	10 222268	(000000-	) Washer, Flat, 0.38b 1.25d .12, Neo	2
▲	11 222244	(000000-	) Cam, Adj, Sqge	2
▲	12 223590	(000000-	) Bracket Wldt, Wheel, Sqge	2
▲	13 222260	(000000-	) Pin, Clevis, 0.37d X 2.25l	2
▲	14 49694	(000000-	) Screw, Hex, M8 X 1.25 X 50, Ss	1
▲	15 223593	(000000-	) Caster, Swivel, 2.5d 1.3w, .50-13 Stem	2
▲	16 223297	(000000-	) Bumper, Sqge	1
▲	17 370100	(000000-	) Knob, Star, 2.80d 4ear 1.1l .31-18, Pyp	4
▲	18 09026	(000000-	) Screw, Hex, M8 X 1.25 X 40, Ss	1
▲	19 01685	(000000-	) Washer, Flat, 0.38b 0.88d .08, Ss	9
▲	20 08713	(000000-	) Nut, Hex, Lock, M8 X 1.25, NI, Ss	4
▲	21 09767	(000000-	) Screw, Hex, M8 X 1.25 X 70, Ss	2
▲	22 04414	(008000-	) Washer, Flat, 0.53b 1.88d .12, Stl, Pl	2
▲	23 398304	(008000-	) Ring, Mtg, Sqge, .38l	2
▽	223608	(000000-	) Blade Kit, Sqge, <del>Rbr</del> [900mm] Tile	1
▲	24 223607	(000000-	) Blade, Sqge, Front, 47.41l <del>Rbr</del> [36"] Linatex (1 slot)	1
▲	25 222416	(000000-	) Blade, Sqge, Rear, 49.37l Gum [36"]	1
▽	222433	(000000-	) Sqge Kit, Ure [900mm]	1
▲	26 222434	(000000-	) Blade, Sqge, Front, 47.41l <del>Oil Retn</del> [36"] Urethane (5 slot)	1
▲	27 222435	(000000-	) Blade, Sqge, Rear, 49.37l <del>Pyu</del> [36"] Urethane	1
	28 392221	(000000-008343 )	Frame Kit, Sqge, F/222411, Replmt	1
	29 398303	(000000-008343 )	Plate, Retainer, Blade, 36.0inch /900mm	1
	30 222130	(000000-	) Spring, Tors, 0.50id .07wir 07.9coil	2
	31 39005	(000000-	) Pin, Cotter, .094 X 0.75	2
	32 25015	(000000-	) Nut, Hex, Std, .50-13	2

Fig. 36 - Electrical Schematic (000000-008237)

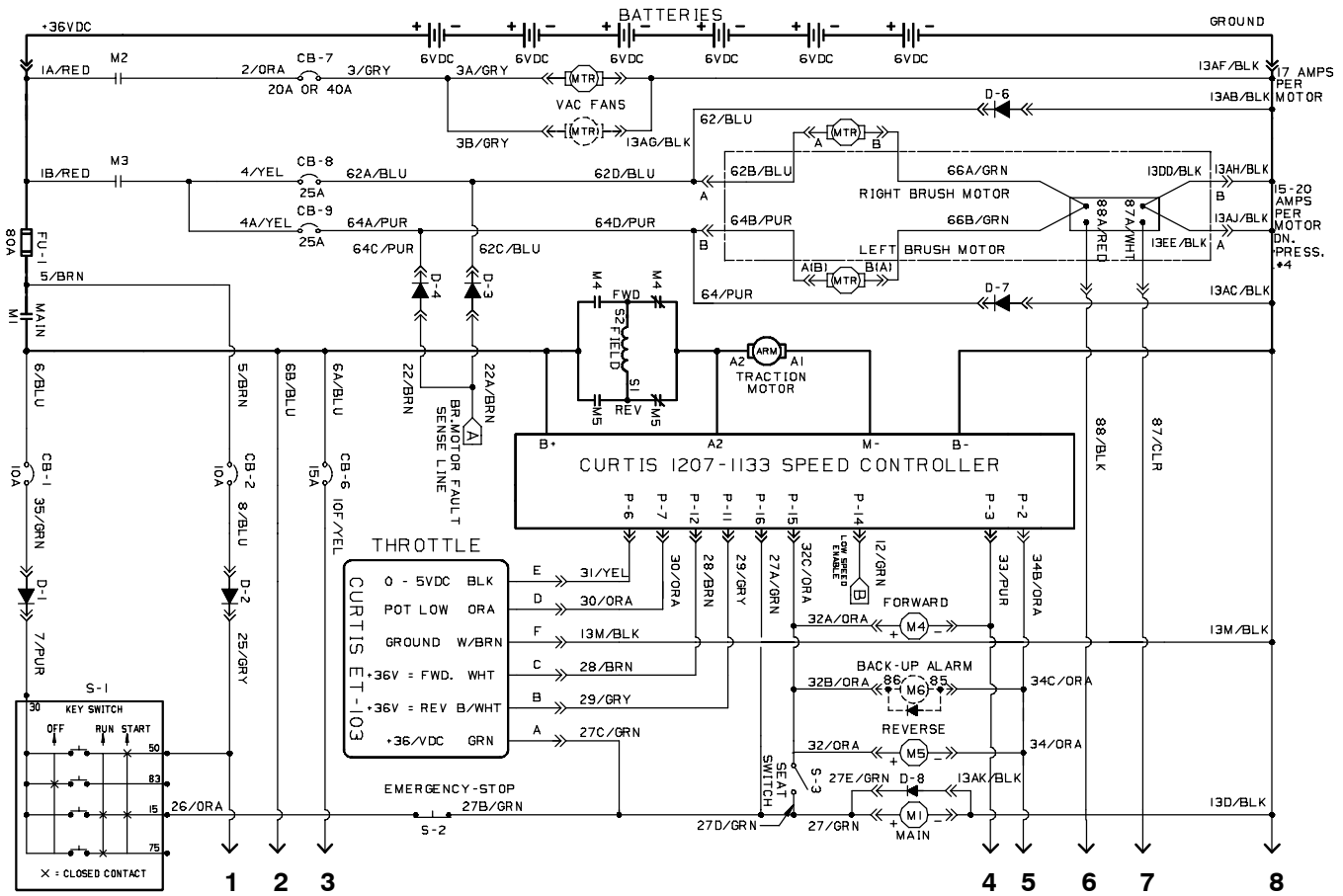
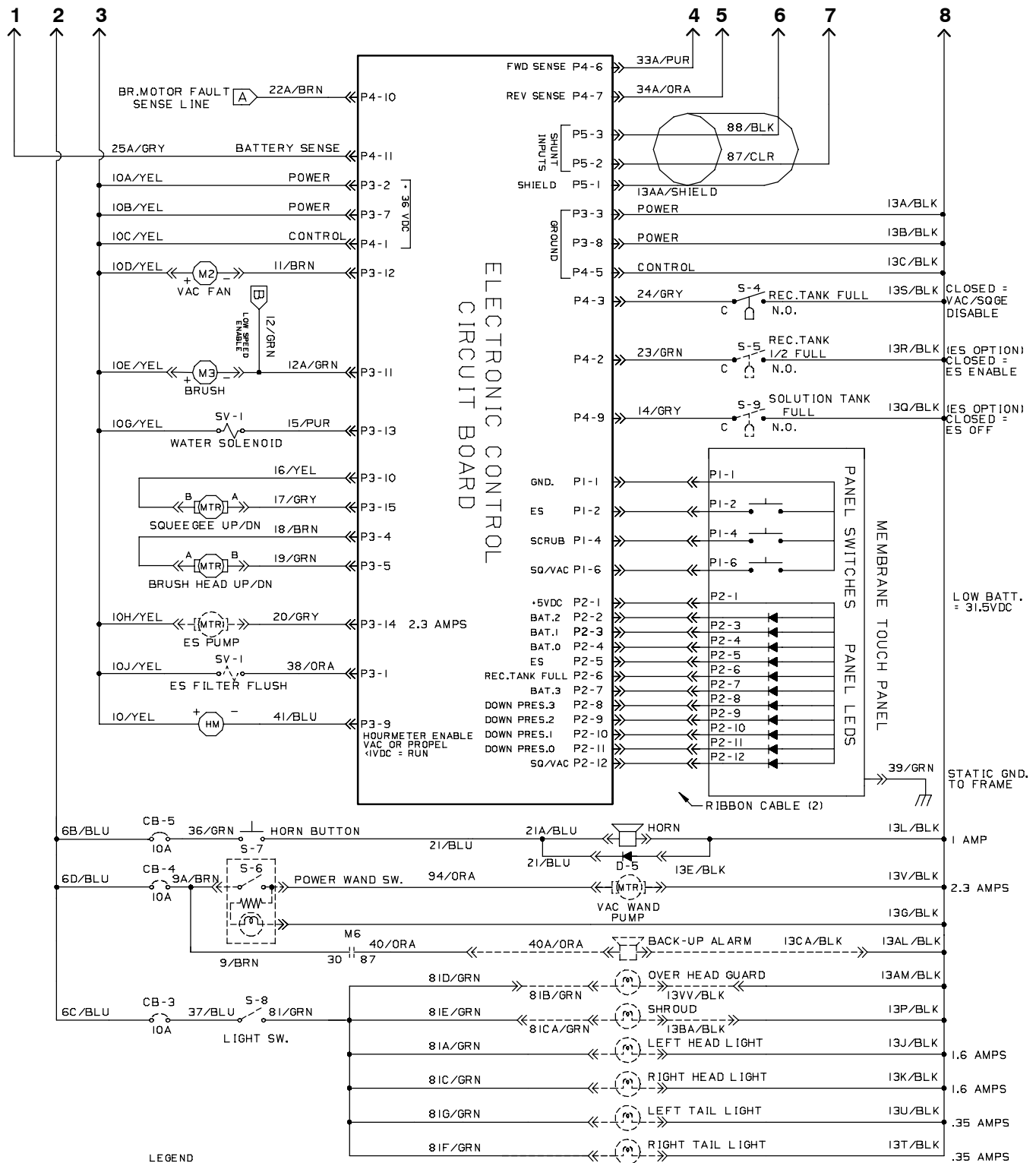


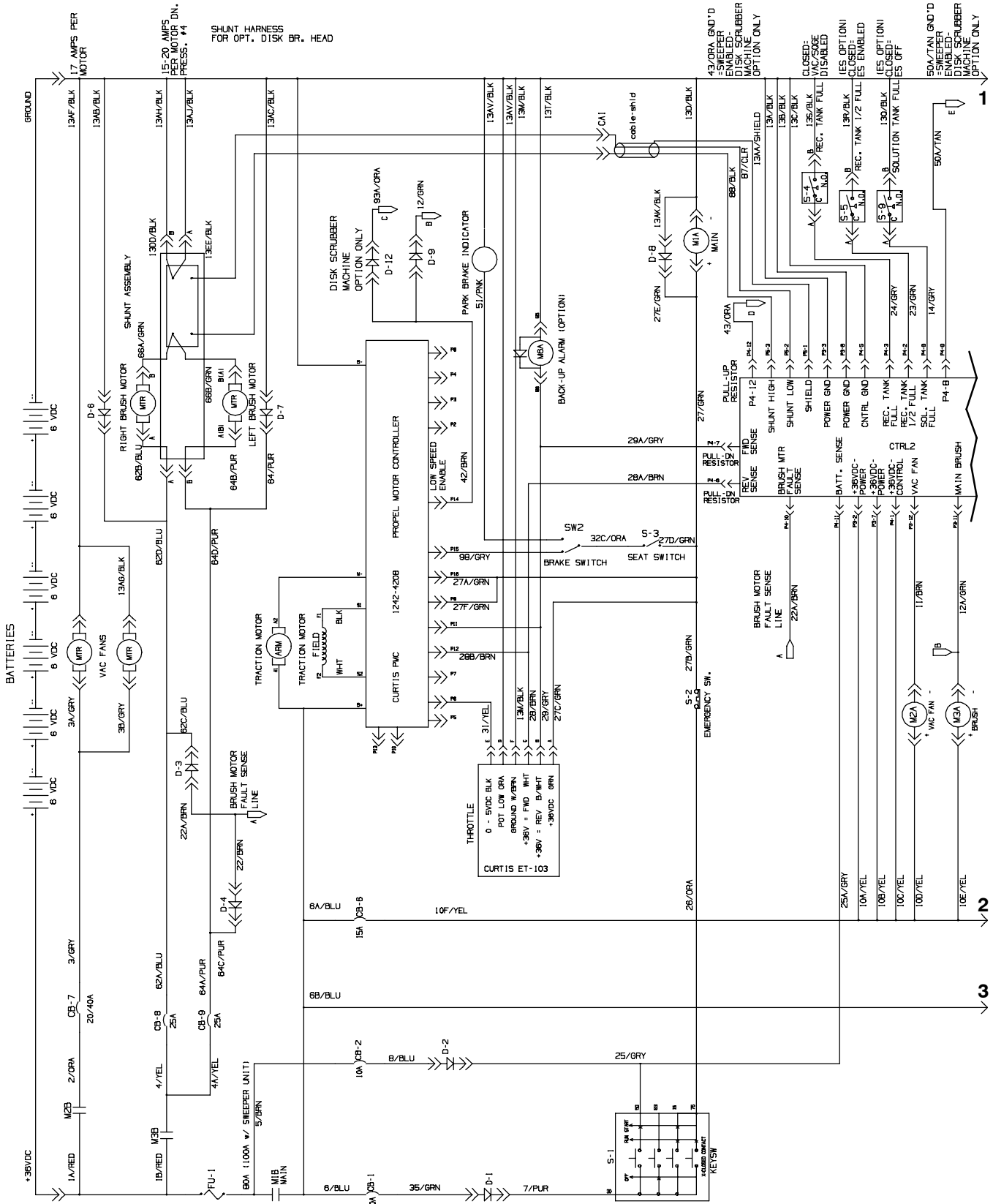
Fig. 36 - Electrical Schematic (000000-008237)



LEGEND

CB	CIRCUIT BREAKER	FU	FUSE
MTR	MOTOR	D	DIODE
P	CONNECTOR PIN	M	RELAY COIL
S	SWITCH	R	RESISTOR
ARM	ARMATURE	HM	HOURMETER
N.O.	NORM. OPEN CONTACT	C	COMMON CONTACT

Fig. 37 - Electrical Schematic (008238- )





# STANDARD PARTS

Fig. 38 - Wire Harness Group (000000-008237)

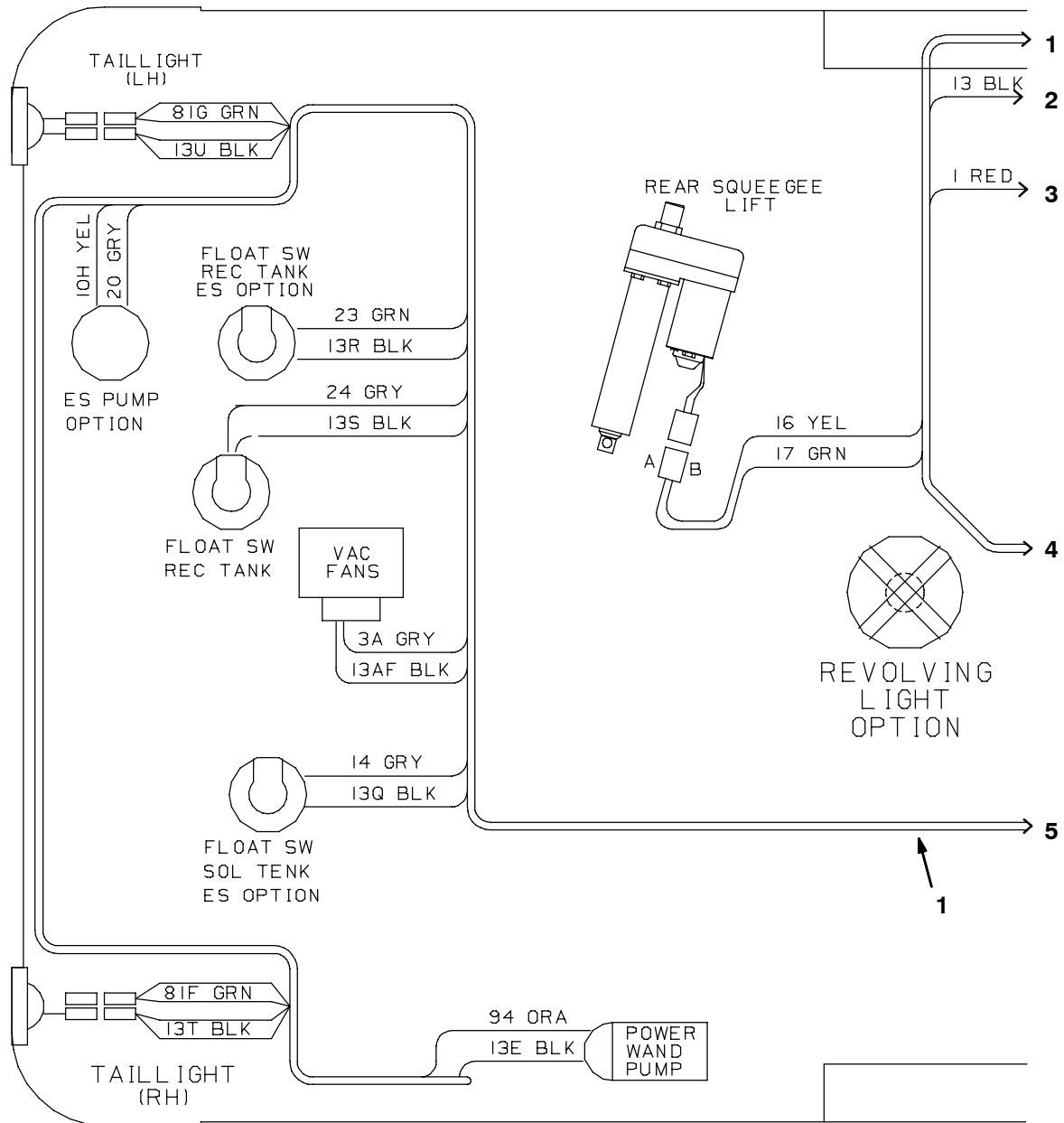




Fig. 38 - Wire Harnesses Group (000000-008237)

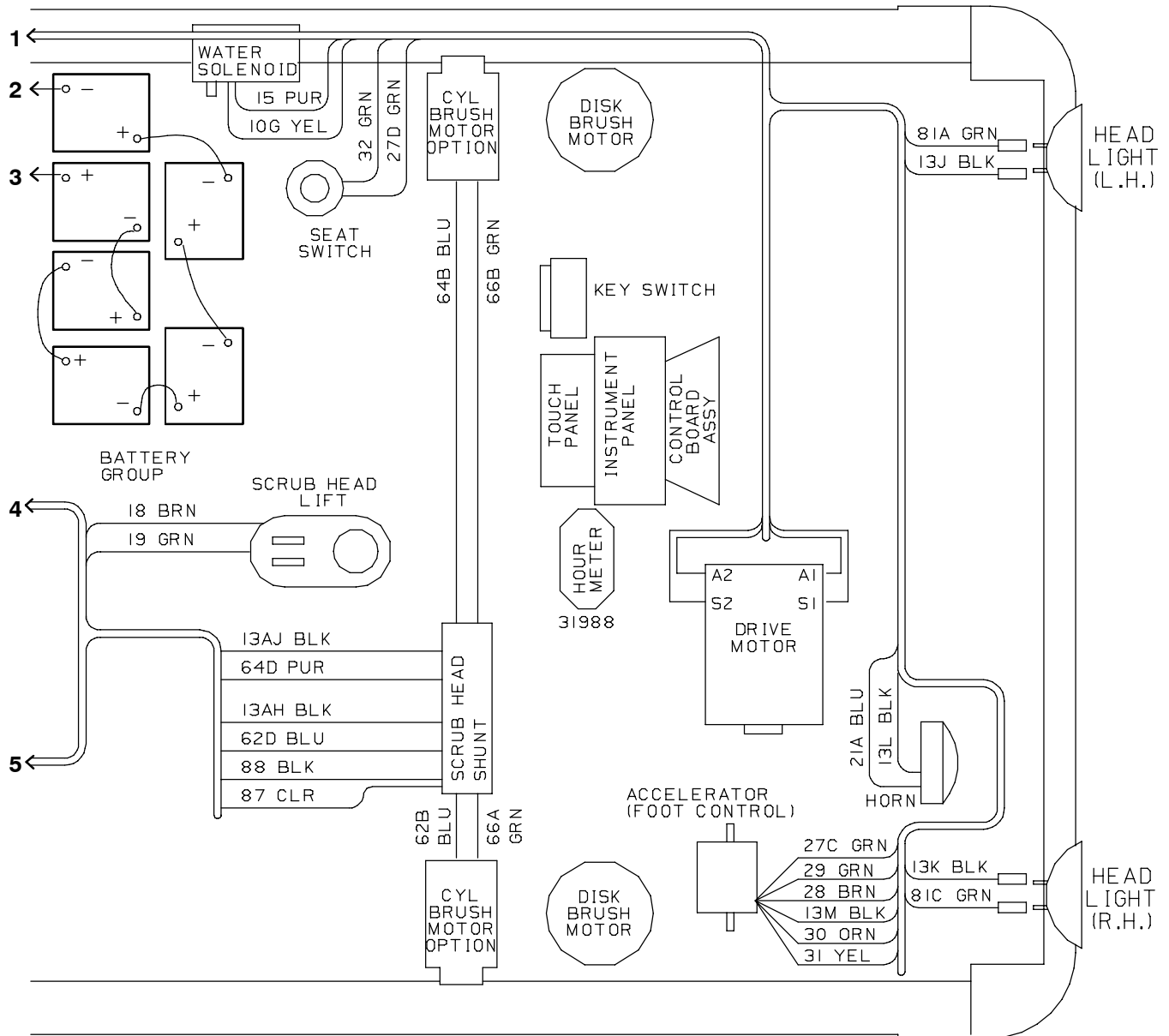


Fig. 38 - Wire Harness Group (000000-008237)

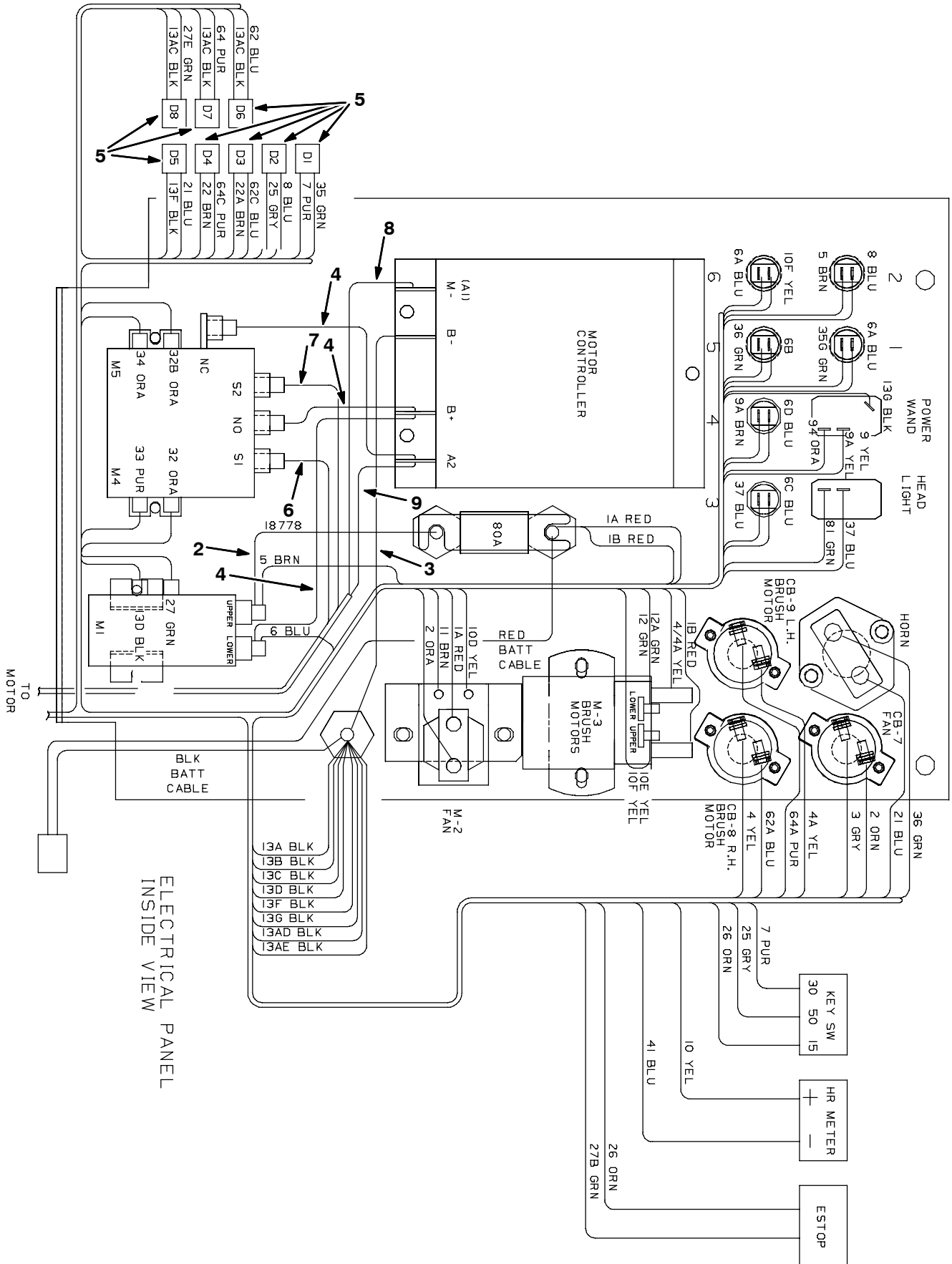


Fig. 38 - Wire Harnesses Group (000000-008237)

Ref.	Part No.	Serial Number	Description	Qty.
1	223329	(000000-006139 )	Harness, Main [7200]	1
1	385640	(006140-008237 )	Harness, Main [7200scrbr]	1
2	18778	(000000-008237 )	Cable, 06ga 07.0l Blk .28ring /.34ring	1
3	18779	(000000-008237 )	Cable, 06ga 09.0l Blk .28ring /.34ring	1
4	223365	(000000-008237 )	Cable, 06ga 07.0l Blk .34ring /.34ring	3
5	222290	(000000-008237 )	Diode, Ele, Plug	8
6	223367	(000000-008237 )	Cable, 06ga 45.0l Blk .34ring /.41ring	1
7	223368	(000000-008237 )	Cable, 06ga 46.0l Blk .34ring /.41ring	1
8	223369	(000000-008237 )	Cable, 06ga 50.0l Blk .34ring /.41ring	1
9	223370	(000000-008237 )	Cable, 06ga 47.0l Blk .34ring /.41ring	1

# STANDARD PARTS

Fig. 39 - Wire Harnesses Group (008238- )

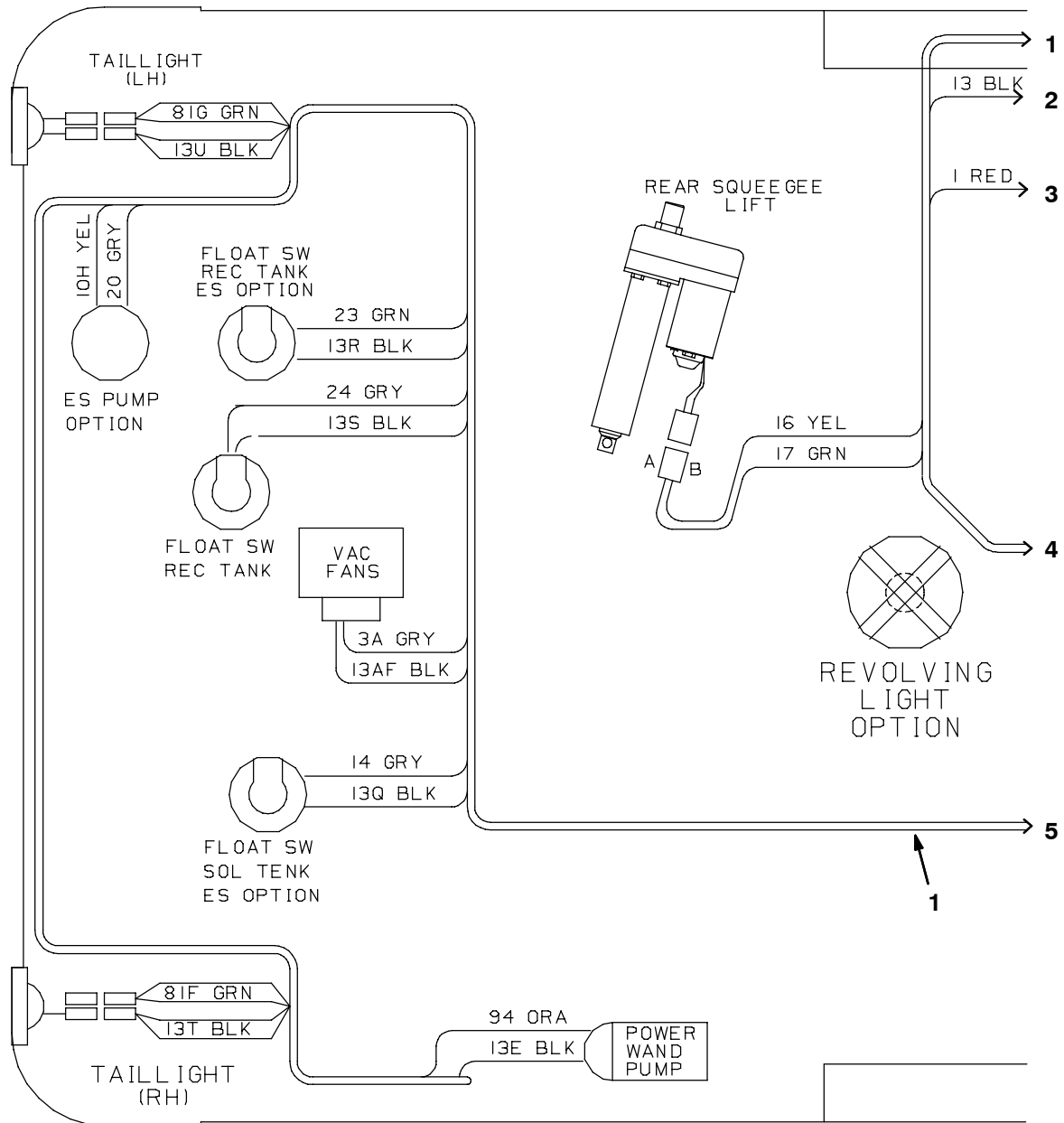


Fig. 39 - Wire Harnesses Group (008238- )

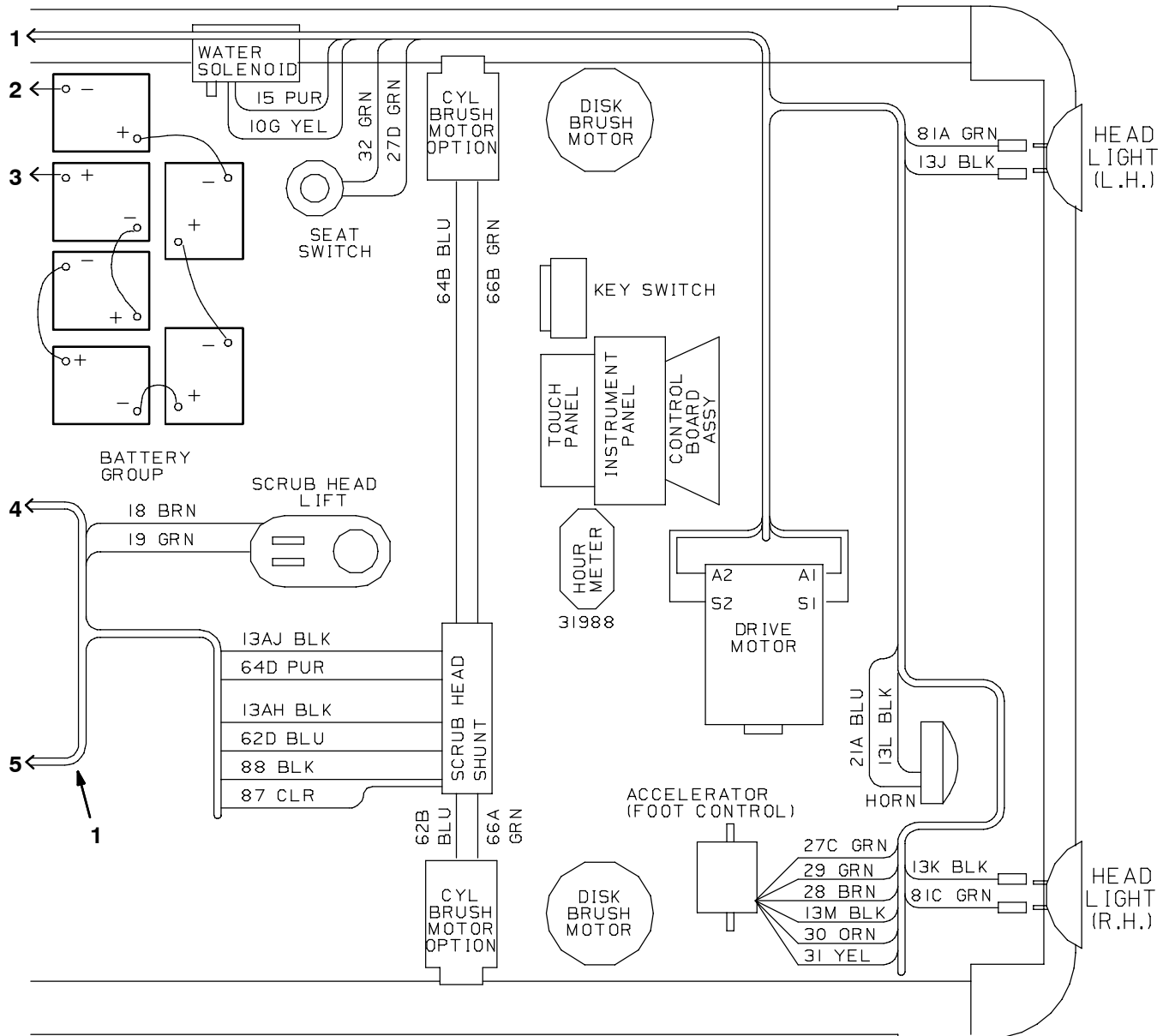


Fig. 39 - Wire Harnesses Group (008238- )

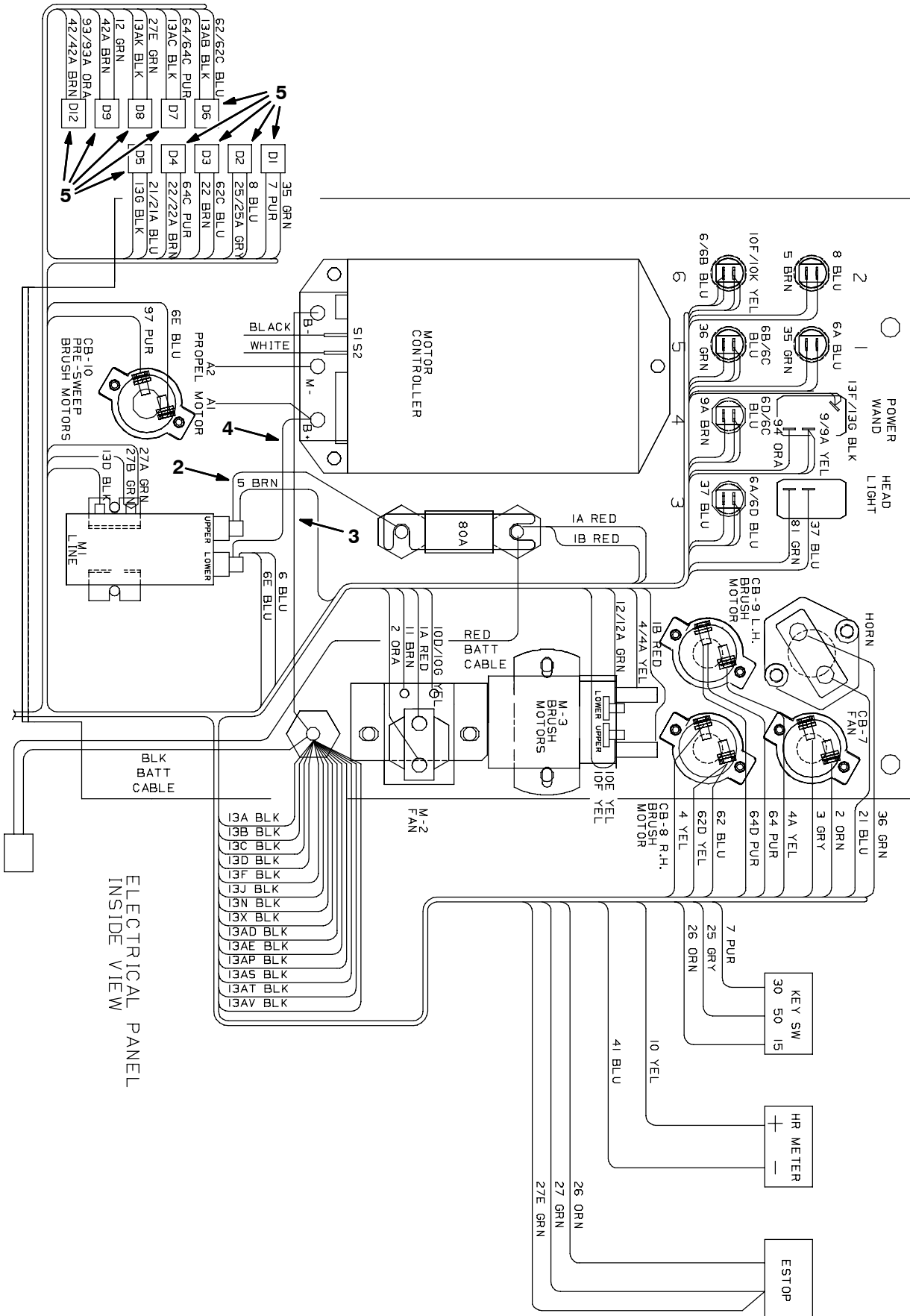
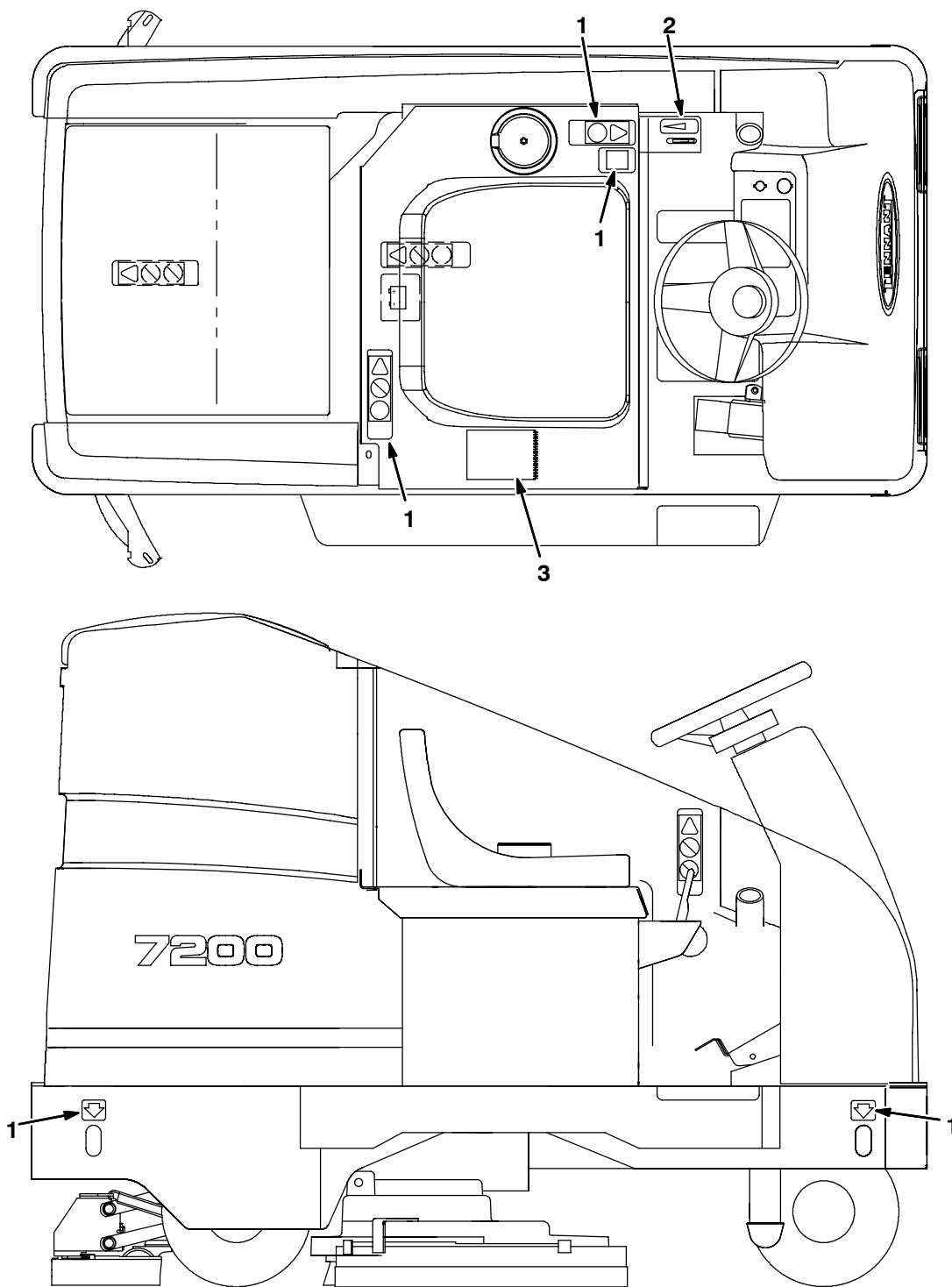


Fig. 39 - Wire Harnesses Group (008238- )

Ref.	Part No.	Serial Number	Description	Qty.
1	392181	(008238-	) Harness, Main [7200]	1
2	18778	(008238-	) Cable, 06ga 07.0l Blk .28ring /.34ring	1
3	15846	(008238-	) Cable, 06ga 11.0l Blk .28ring /.34ring	1
4	223365	(008238-	) Cable, 06ga 07.0l Blk .34ring /.34ring	1
5	222290	(008238-	) Diode, Ele, Plug	10

**Fig. 40 - Label Group**



350790 - NA

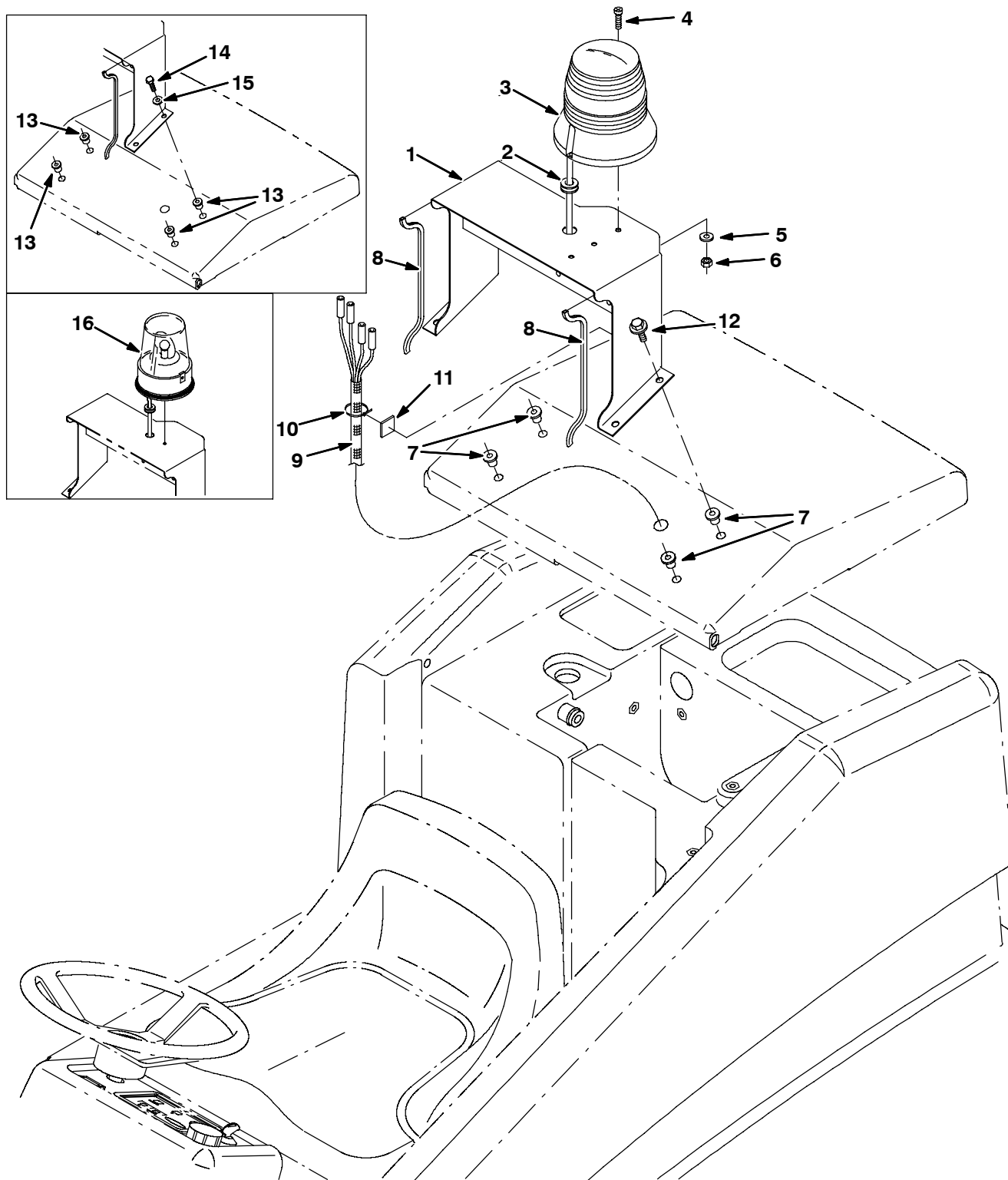
Ref.	Part No.	Serial Number	Description	Qty.
1	223316	(000000-	) Label Set, Info/Hzrd [7200]	1
2	223317	(000000-	) Label Set, Opertnl [7200]	1
3	223555	(000000-	) Instr, Use And Care [7200]	1



# SECTION 3

Contents	Page	Contents	Page
Fig. 1 - Revolving Light Kit	3-2	Fig. 43 - Pre-Sweep Frame and Hopper Group (008300- )	3-82
Fig. 2 - Flashing Light Kit	3-4	Fig. 44 - Pre-Sweep Brush Lift Group (008300- )	3-84
Fig. 3 - Revolving Light Kit, Overhead Guard	3-6	Fig. 45 - Pre-Sweep Brush Housing and Skirts Group (008300- )	3-86
Fig. 4 - Flashing Light Kit, Overhead Guard	3-8	Fig. 46 - Pre-Sweep Brush Drive Group (008300- )	3-88
Fig. 5 - Overhead Guard Kit	3-10	Fig. 47 - Pre-Sweep Brush Idler Group (008300- )	3-90
Fig. 6 - ES Pump Group (000000-005439)	3-12	Fig. 48 - Pre-Sweep Side Brush Group (008300- )	3-92
Fig. 7 - ES Pump Group (005440-006139)	3-14	Fig. 49 - Pre-Sweep Dust Control Group (008300- )	3-94
Fig. 8 - ES Pump Group (006140-006497)	3-16	Fig. 50 - Pre-Sweep Electrical Group (008300- )	3-96
Fig. 9 - ES Pump Group (006498-007061)	3-18	Fig. 51 - Pre-Sweep Bumper Group (008300- )	3-98
Fig. 10 - ES Pump Group (007062- )	3-20	Fig. 52 - Pre-Sweep Wire Harnesses Group (008300- )	3-100
Fig. 11 - ES Filter Backflush Kit (007062- )	3-22	Fig. 53 - Pre-Sweep Side Brush Kit, Left Hand (008300- )	3-102
Fig. 12 - ES Drain Group	3-24	Fig. 54 - Pre-Sweep Dolly Kit, (008300- )	3-104
Fig. 13 - Backup Alarm Kit	3-26	Fig. 55 - Side Brush Lift Group	3-106
Fig. 14 - Heavy Duty Vacuum Fan Kit	3-28	Fig. 56 - Side Brush Motor Group	3-108
Fig. 15 - Power Wand Pump and Fittings Group	3-30	Fig. 57 - Side Brush Bumper Group	3-110
Fig. 16 - Power Wand Mount Group, Scrub Head, 900 mm (36 in)	3-32	Fig. 58 - Side Brush Wire Harnesses Group	3-111
Fig. 17 - Power Wand Mount Group, Scrub Head, 700 mm (28 in)	3-34	Fig. 59 - Suspension Seat Kit	3-112
Fig. 18 - Power Wand Mount Group, Rollout Battery	3-36	Fig. 60 - Seat Belt Kit	3-113
Fig. 19 - Power Wand Hose Assembly	3-38	Fig. 61 - Cup Holder Kit	3-114
Fig. 20 - Power Wand Assembly	3-40	Fig. 62 - Fire Extinguisher Kit	3-115
Fig. 21 - Vacuum Wand Kit	3-42	Fig. 63 - Solid Non-Marking Tire Assembly, Rear	3-116
Fig. 22 - Side Roller Bumper Kit	3-44	Fig. 64 - Documentation Group	3-117
Fig. 23 - Positive Solution Control Drain Kit, Std	3-46		
Fig. 24 - Positive Solution Control Drain Kit, ES	3-48		
Fig. 25 - Battery Kit, Wet, 235AH	3-50		
Fig. 26 - Heavy Duty Battery Kit, Wet, 335AH	3-52		
Fig. 27 - Battery Charger Group	3-54		
Fig. 28 - Battery Charger and Harness Group, International Only	3-55		
Fig. 29 - Disk Scrub Head Drive Motor Group, 700 mm (28 in)	3-56		
Fig. 30 - Disk Scrub Head Squeegee Group, 700 mm (28 in)	3-58		
Fig. 31 - Cylindrical Scrub Head Frame Group, 700 mm (28 in)	3-60		
Fig. 32 - Cylindrical Scrub Head Drive Motor Group, 700 mm (28 in)	3-62		
Fig. 33 - Cylindrical Scrub Head Squeegee Group, 700 mm (28 in)	3-64		
Fig. 34 - Rear Squeegee Group, 700 mm (28 in)	3-66		
Fig. 35 - Rollout Battery Scrub Head Lift Group	3-68		
Fig. 36 - Rollout Battery Seat Support Group	3-70		
Fig. 37 - Rollout Battery Case Group	3-72		
Fig. 38 - Rollout Battery Side Bumper Group, 700 mm (28 in)	3-74		
Fig. 39 - Rollout Battery Side Bumper Group, 900 mm (36 in)	3-75		
Fig. 40 - Rollout Battery Overhead Guard Kit	3-76		
Fig. 41 - Rollout Battery Cart Kit	3-78		
Fig. 42 - Rollout Battery Pack Kit	3-80		

Fig. 1 - Revolving Light Kit



**Fig. 1 - Revolving Light Kit**

	<b>Ref.</b>	<b>Part No.</b>	<b>Serial Number</b>	<b>Description</b>	<b>Qty.</b>
▽		223029	(000000-	) Light Kit, Revl, Ci [7200]	1
▲	1	369381	(000000-	) Bracket Wldt, Light / Alarm	1
▲	2	10632-2	(000000-	) Grommet, Rbr, 0.62id, F/0.9h, .12 Matl	1
▲▽	3	1017250	(010116-	) Light, Strobe, Amb, 12-48vdc	1
▲▲		9000879	(010116-	) Lens, Amb, F/ Revl / Flasher	1
▲▲		9000846	(010116-	) Lamp, Bulb, Strobe	1
▲		55272	(010116-	) Terminal, Bullet, Mal, .157d, 12ga	2
▲	4	09244	(010116-	) Screw, Hex, M5 X 0.8 X 16, 8.8	2
▲	5	19066	(010116-	) Washer, Flat, #10	2
▲	6	06549	(010116-	) Nut, Hex, Lock, M5 X 0.80, NI	2
▲	7	397644	( xxxxxx-	) Nut, Isolator, .25-20 Wall Th .187-.343	4
▲	8	62595-4	(000000-	) Molding, Trim, Pvc, .08-.11 10.0l	2
▲	9	369400	(000000-	) Harness, Alarm, Backup [7200]	1
▲	10	49266	(000000-	) Tie, Cable, Nyl, 07.3l .19w 1.8 Max D	1
▲	11	55248	(000000-	) Mount, Cable Tie	1
▲	12	16951	( xxxxxx-	) Screw, Hex, .25-20 X 1.25, Sems	4
	13	397649	(000000- xxxxxx )	Nut Kit, Isolator, F/369344, Replmt	1
	14	39612	(000000- xxxxxx )	Screw, Hex, .31-18 X 2.00, FI	4
	15	32491	(000000- xxxxxx )	Washer, Flat, 0.31, Std	4
▽	16	44683-1	(000000-010115 )	Light, Revl, 36vdc, Amb	1
▲		44681-1	(000000-010115 )	Lens, Light, Revl, Amb	1
▲		45283	(000000-010115 )	Lamp, 40vdc, 0.9a, 50cp [1062]	1
		44681	(000000-010115 )	Lens, Light, Revl, Red	1
		44681-2	(000000-010115 )	Lens, Light, Revl, Blu	1

Fig. 2 - Flashing Light Kit

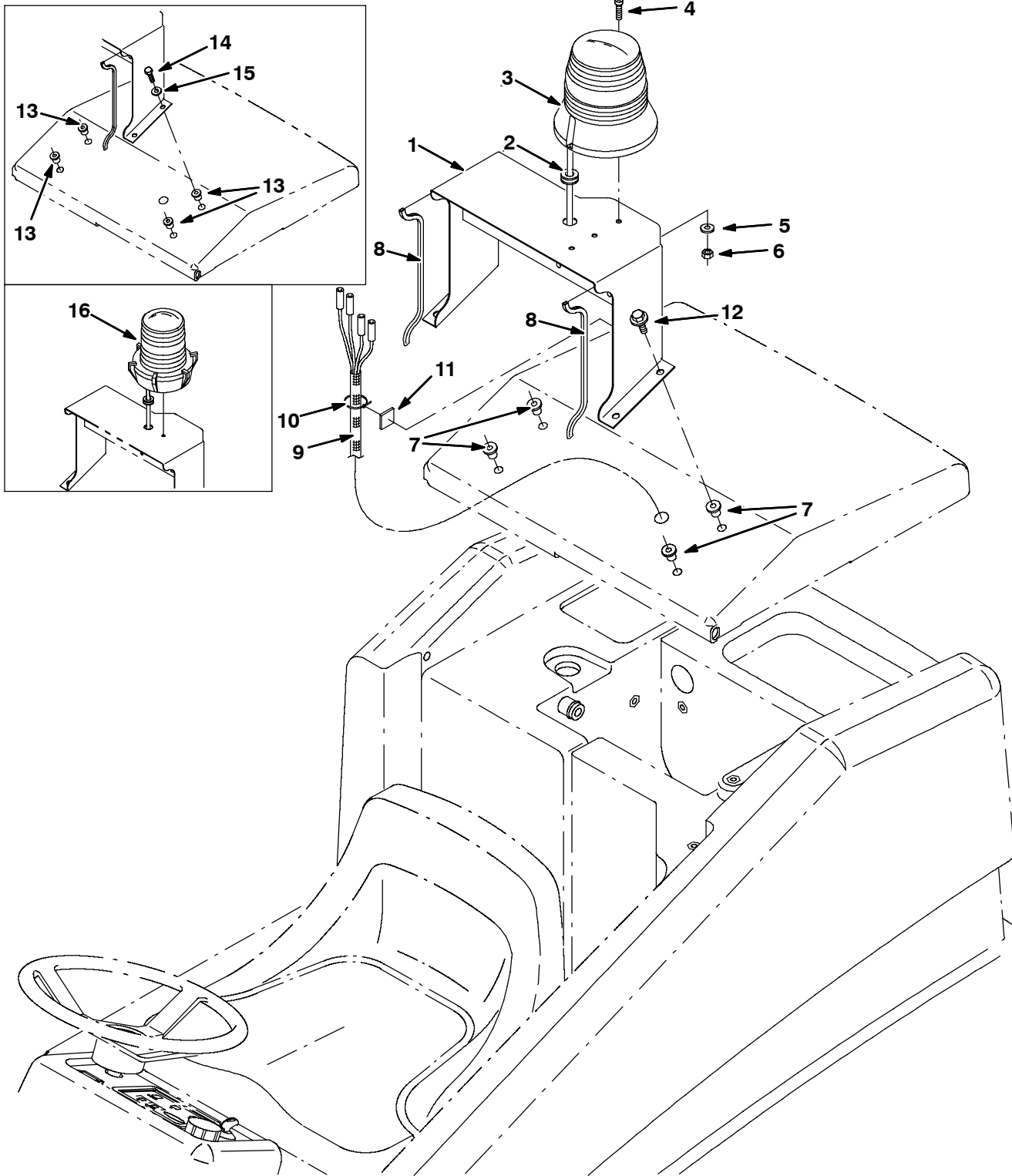
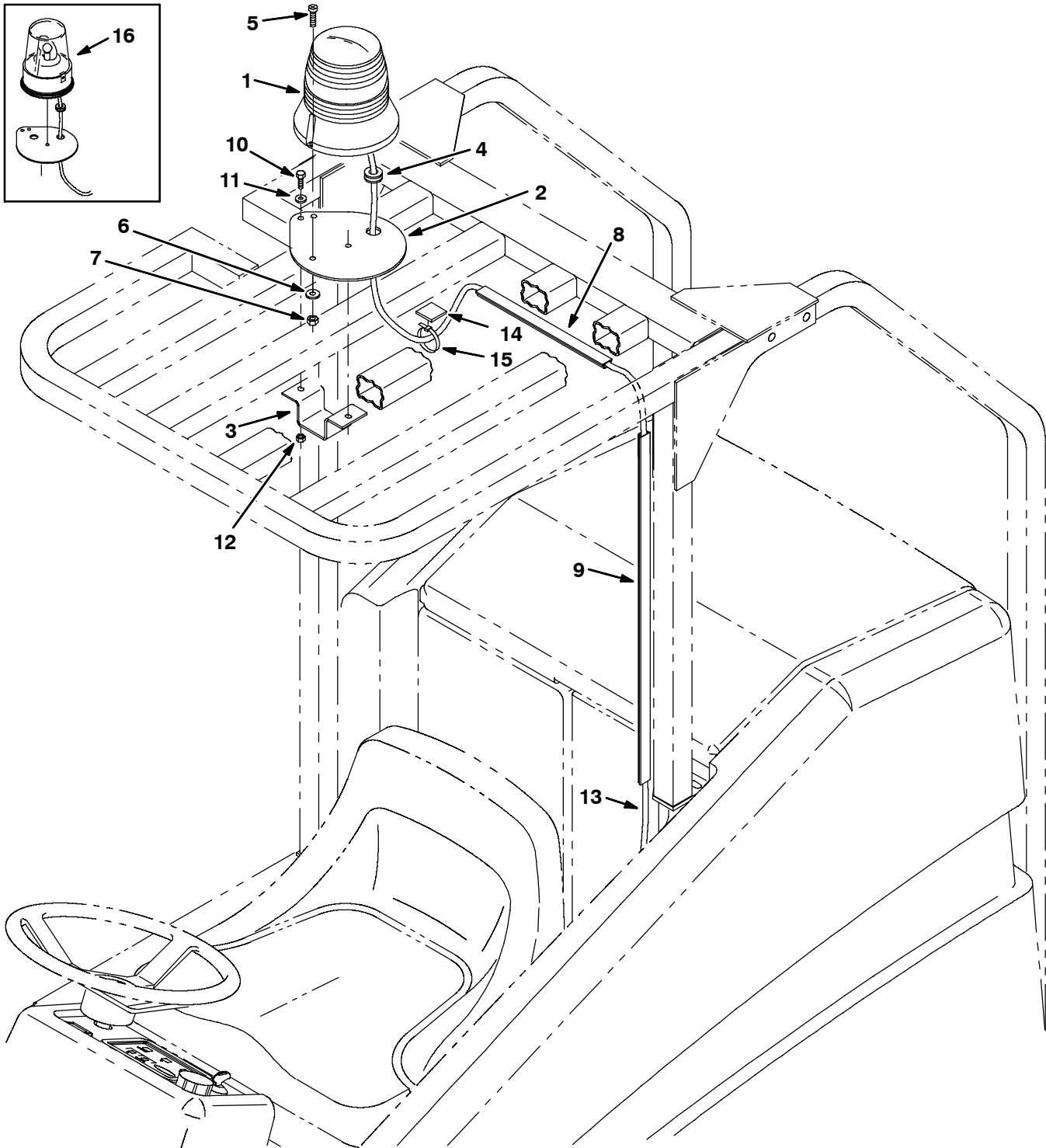


Fig. 2 - Flashing Light Kit

	Ref.	Part No.	Serial Number	Description	Qty.
▽		223027	(000000-	) Light Kit, Flsh, Ci [7200]	1
▲	1	369381	(000000-	) Bracket Wldt, Light / Alarm	1
▲	2	10632-2	(000000-	) Grommet, Rbr, 0.62id, F/0.9h, .12 Matl	1
▲▽	3	1017248	(010116-	) Light, Flsh, Amb, 12-48vdc	1
▲▲		9000879	(010116-	) Lens, Amb, F/ Revl / Flasher	1
▲▲		9000845	(010116-	) Lamp, Bulb, Flsh	1
▲		55272	(010116-	) Terminal, Bullet, Mal, .157d, 12ga	2
▲	4	09244	(010116-	) Screw, Hex, M5 X 0.8 X 16, 8.8	2
▲	5	19066	(010116-	) Washer, Flat, #10	2
▲	6	06549	(010116-	) Nut, Hex, Lock, M5 X 0.80, NI	2
▲	7	397644	( xxxxxx-	) Nut, Isolator, .25-20 Wall Th .187-.343	4
▲	8	62595-4	(000000-	) Molding, Trim, Pvc, .08-.11 10.0l	2
▲	9	369400	(000000-	) Harness, Alarm, Backup [7200]	1
▲	10	49266	(000000-	) Tie, Cable, Nyl, 07.3l .19w 1.8 Max D	1
▲	11	55248	(000000-	) Mount, Cable Tie	1
▲	12	16951	( xxxxxx-	) Screw, Hex, .25-20 X 1.25, Sems	4
	13	397649	(000000- xxxxxx )	Nut Kit, Isolator, F/369344, Replmt	1
	14	39612	(000000- xxxxxx )	Screw, Hex, .31-18 X 2.00, FI	4
	15	32491	(000000- xxxxxx )	Washer, Flat, 0.31, Std	4
▽	16	60373	(000000-010115 )	Light, Flsh, 36vdc, Amb	1
▲		58520	(000000-010115 )	Lens, Amb, Flsh Light [Fr207]	1
▲		45283	(000000-010115 )	Lamp, 40vdc, 0.9a, 50cp [1062]	1
		58518	(000000-010115 )	Lens, Red, Flsh Light [Fr207]	1
		58519	(000000-010115 )	Lens, Blu, Flsh Light [Fr207]	1

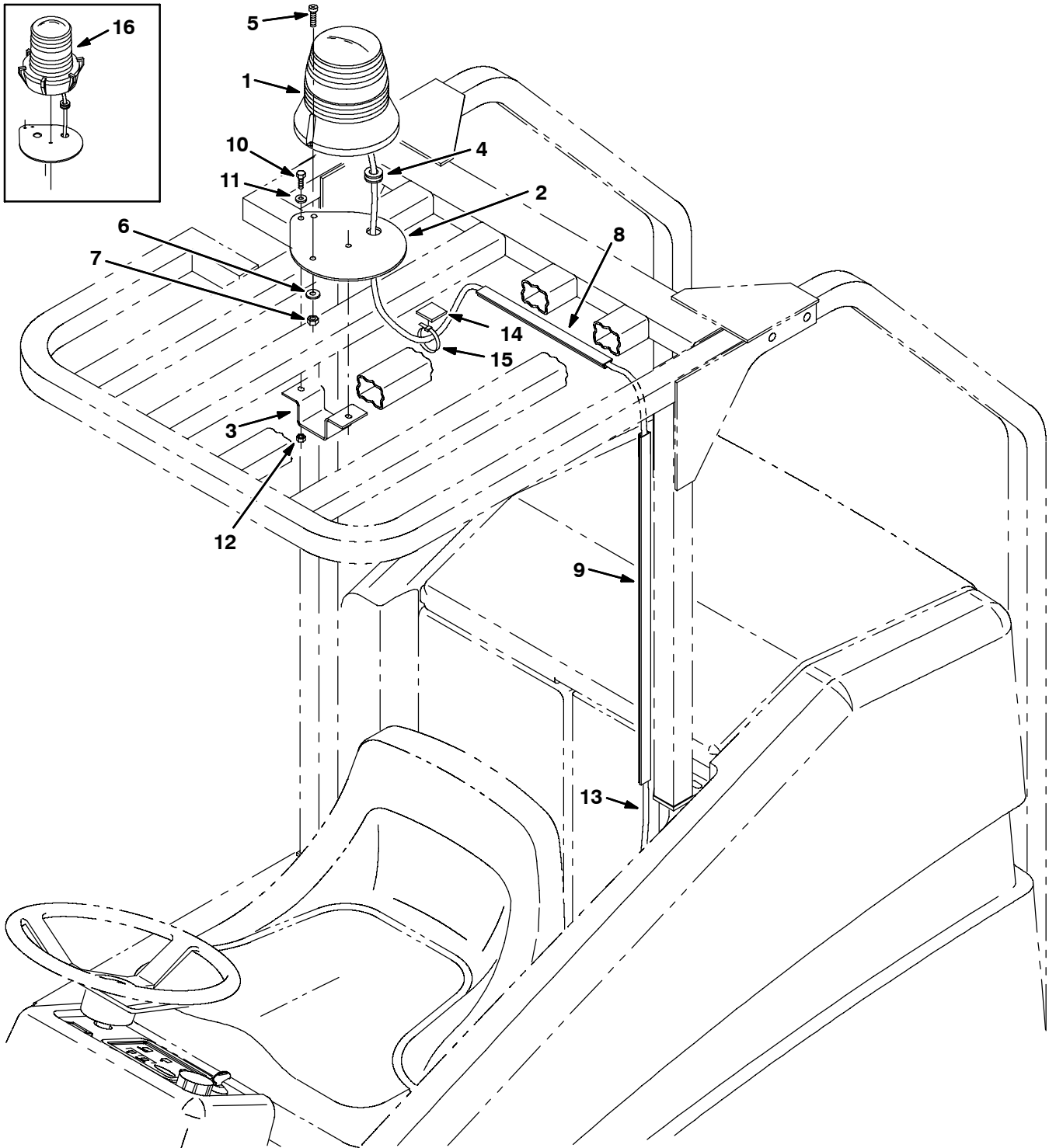
Fig. 3 - Revolving Light Kit, Overhead Guard



**Fig. 3 - Revolving Light Kit, Overhead Guard**

	<b>Ref.</b>	<b>Part No.</b>	<b>Serial Number</b>	<b>Description</b>	<b>Qty.</b>
▽		223025	(000000-	) Light Kit, Revl, Ohg, Ci [7200]	1
▲▽	1	1017250	(010116-	) Light, Strobe, Amb, 12-48vdc	1
▲▲		9000879	(010116-	) Lens, Amb, F/ Revl / Flasher	1
▲▲		9000846	(010116-	) Lamp, Bulb, Strobe	1
▲		55272	(010116-	) Terminal, Bullet, Mal, .157d, 12ga	2
▲	2	57220	(000000-	) Plate, Mtg, Light	1
▲	3	59447	(000000-	) Bracket, Mtg, Light, Ohg	1
▲	4	10632-2	(000000-	) Grommet, Rbr, 0.62id, F/0.9h, .12 Matl	1
▲	5	09244	(010116-	) Screw, Hex, M5 X 0.8 X 16, 8.8	2
▲	6	19066	(010116-	) Washer, Flat, #10	2
▲	7	06549	(010116-	) Nut, Hex, Lock, M5 X 0.80, NI	2
▲	8	86330	(000000-	) Duct, Vyl, 0.40 X 0.75 .25d 10.0l	1
▲	9	86332	(000000-	) Duct, Vyl, 0.40 X 0.75 .25d 26.0l	1
▲	10	06942	(000000-	) Screw, Hex, M6 X 1.0 X 16, 8.8	2
▲	11	32483	(000000-	) Washer, Flat, 0.25, Sae	2
▲	12	07790	(000000-	) Nut, Hex, Fing, M6 X 1.00	2
▲	13	71525	(000000-	) Harness, Light, Flsh, Revl [355e]	1
▲	14	55248	(000000-	) Mount, Cable Tie	2
▲	15	49266	(000000-	) Tie, Cable, Nyl, 07.3l .19w 1.8 Max D	2
▽	16	44683-1	(000000-010115	) Light, Revl, 36vdc, Amb	1
▲		44681-1	(000000-010115	) Lens, Light, Revl, Amb	1
▲		45283	(000000-010115	) Lamp, 40vdc, 0.9a, 50cp [1062]	1
		44681	(000000-010115	) Lens, Light, Revl, Red	1
		44681-2	(000000-010115	) Lens, Light, Revl, Blu	1

Fig. 4 - Flashing Light Kit, Overhead Guard

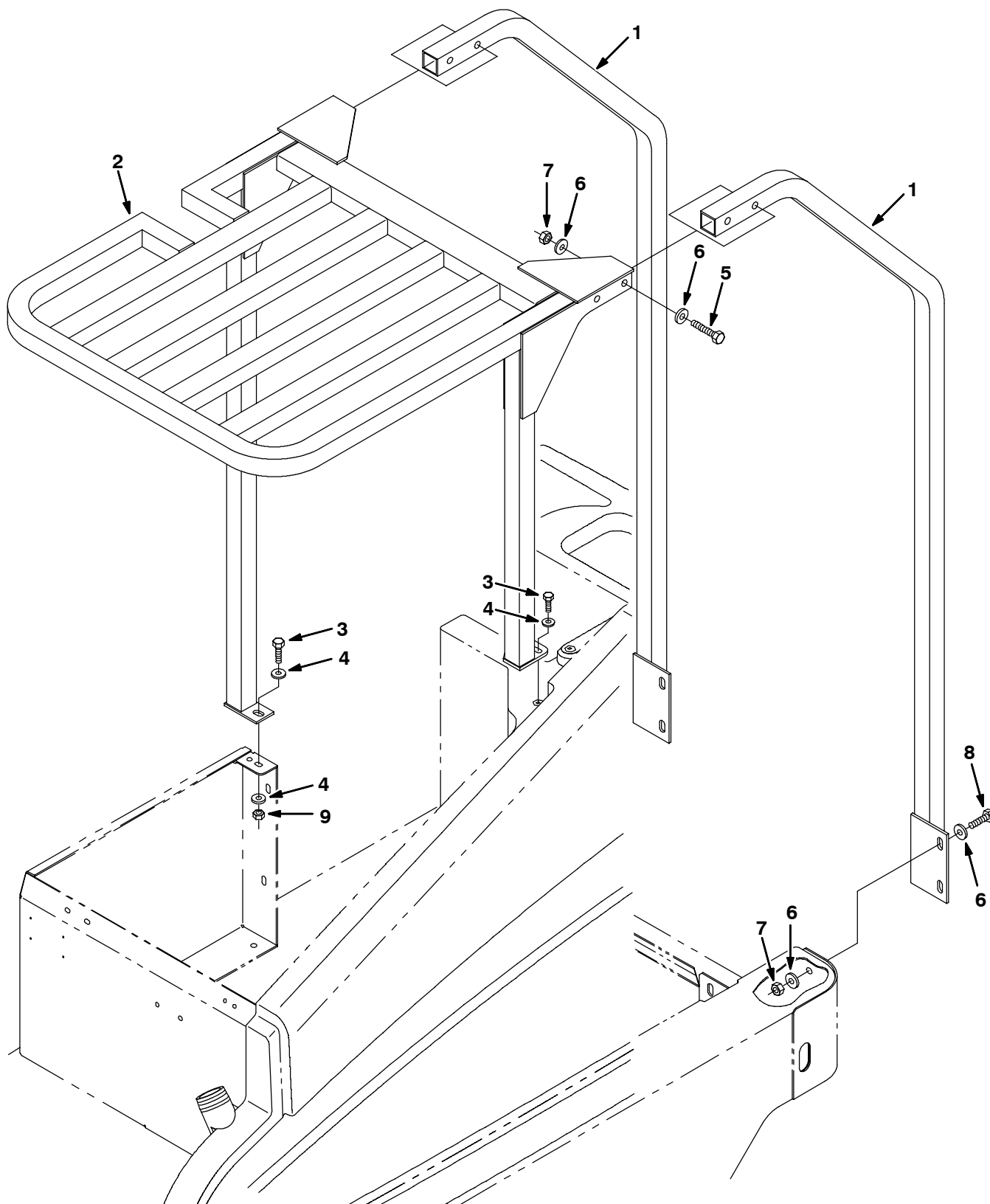




**Fig. 4 - Flashing Light Kit, Overhead Guard**

	<b>Ref.</b>	<b>Part No.</b>	<b>Serial Number</b>	<b>Description</b>	<b>Qty.</b>
▽		223023	(000000-	) Light Kit, Revl, Ohg, Ci [7200]	1
▲▽	1	1017248	(010116-	) Light, Flsh, Amb, 12-48vdc	1
▲▲		9000879	(010116-	) Lens, Amb, F/ Revl / Flasher	1
▲▲		9000845	(010116-	) Lamp, Bulb, Flsh	1
▲		55272	(010116-	) Terminal, Bullet, Mal, .157d, 12ga	2
▲	2	57220	(000000-	) Plate, Mtg, Light	1
▲	3	59447	(000000-	) Bracket, Mtg, Light, Ohg	1
▲	4	10632-2	(000000-	) Grommet, Rbr, 0.62id, F/0.9h, .12 Matl	1
▲	5	09244	(010116-	) Screw, Hex, M5 X 0.8 X 16, 8.8	2
▲	6	19066	(010116-	) Washer, Flat, #10	2
▲	7	06549	(010116-	) Nut, Hex, Lock, M5 X 0.80, NI	2
▲	8	86330	(000000-	) Duct, Vyl, 0.40 X 0.75 .25d 10.0l	1
▲	9	86332	(000000-	) Duct, Vyl, 0.40 X 0.75 .25d 26.0l	1
▲	10	06942	(000000-	) Screw, Hex, M6 X 1.0 X 16, 8.8	2
▲	11	32483	(000000-	) Washer, Flat, 0.25, Sae	2
▲	12	07790	(000000-	) Nut, Hex, Fing, M6 X 1.00	2
▲	13	71525	(000000-	) Harness, Light, Flsh, Revl [355e]	1
▲	14	55248	(000000-	) Mount, Cable Tie	2
▲	15	49266	(000000-	) Tie, Cable, Nyl, 07.3l .19w 1.8 Max D	2
▽	16	60373	(000000-010115	) Light, Revl, 36vdc, Amb	1
▲		58520	(000000-010115	) Lens, Light, Revl, Amb	1
▲		45283	(000000-010115	) Lamp, 40vdc, 0.9a, 50cp [1062]	1
		58518	(000000-010115	) Lens, Light, Revl, Red	1
		58519	(000000-010115	) Lens, Light, Revl, Blu	1

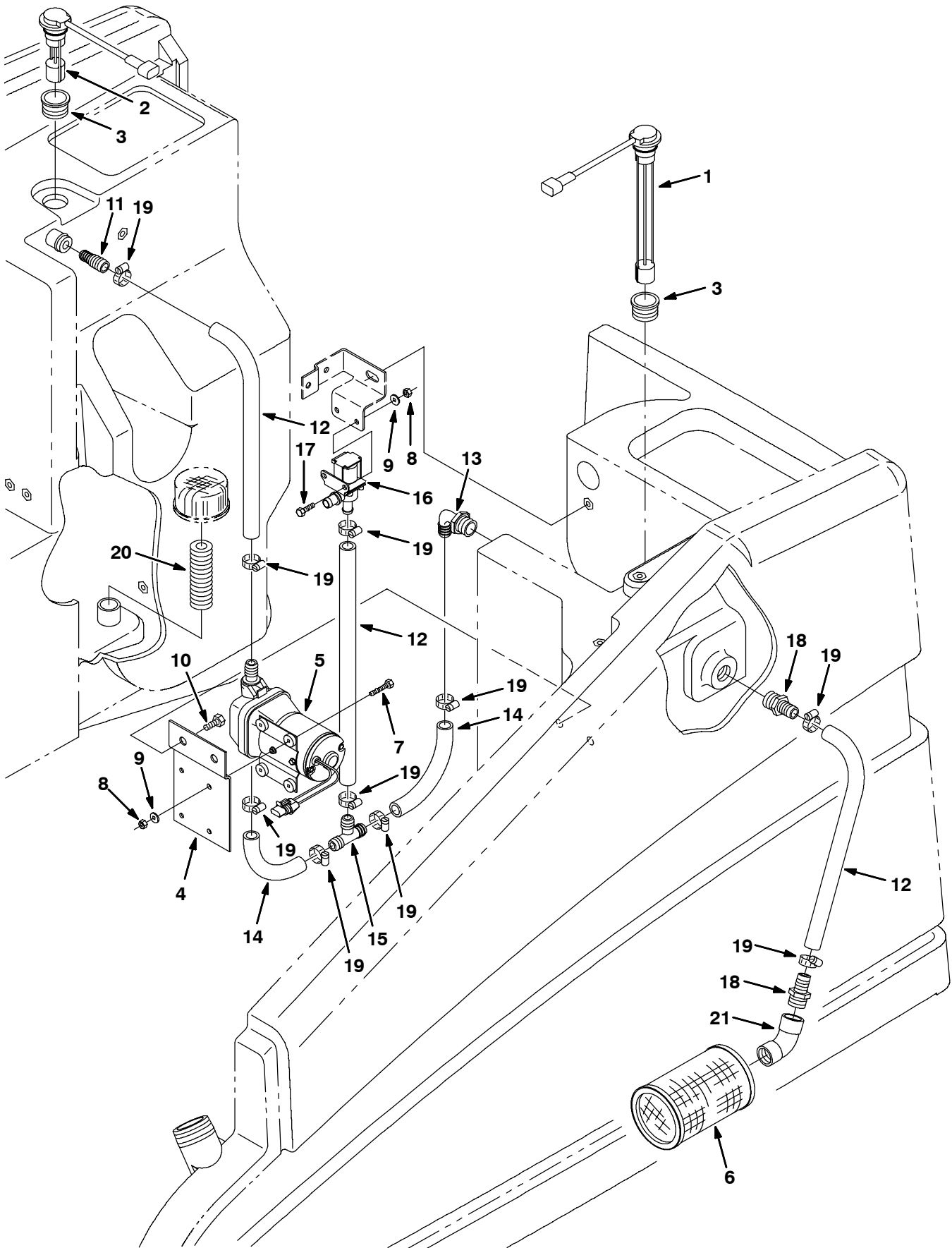
Fig. 5 - Overhead Guard Kit



**Fig. 5 - Overhead Guard Kit**

	<b>Ref.</b>	<b>Part No.</b>	<b>Serial Number</b>	<b>Description</b>	<b>Qty.</b>
▽		223035	(000000-	) Ohg Kit, Ci [7200]	1
▲	1	223390	(000000-	) Tube Wldt, Leg, Ohg, Rear [7200]	2
▲	2	223385	(000000-	) Guard Wldt, Ohg, Top	1
▲	3	12273	(000000-	) Screw, Hex, M8 X 1.25 X 20, Ss, NI	2
▲	4	01685	(000000-	) Washer, Flat, 0.38b 0.88d .08, Ss	3
▲	5	33950	(000000-	) Screw, Hex, M12 X 1.75 X 80, Ss	4
▲	6	32486	(000000-	) Washer, Flat, 0.50, Sae	16
▲	7	08711	(000000-	) Nut, Hex, Lock, M12 X 1.75,NI	8
▲	8	09029	(000000-	) Screw, Hex, M12 X 1.75 X 40, Ss	4
▲	9	08709	(000000-	) Nut, Hex, Lock, M8 X 1.25, NI	1

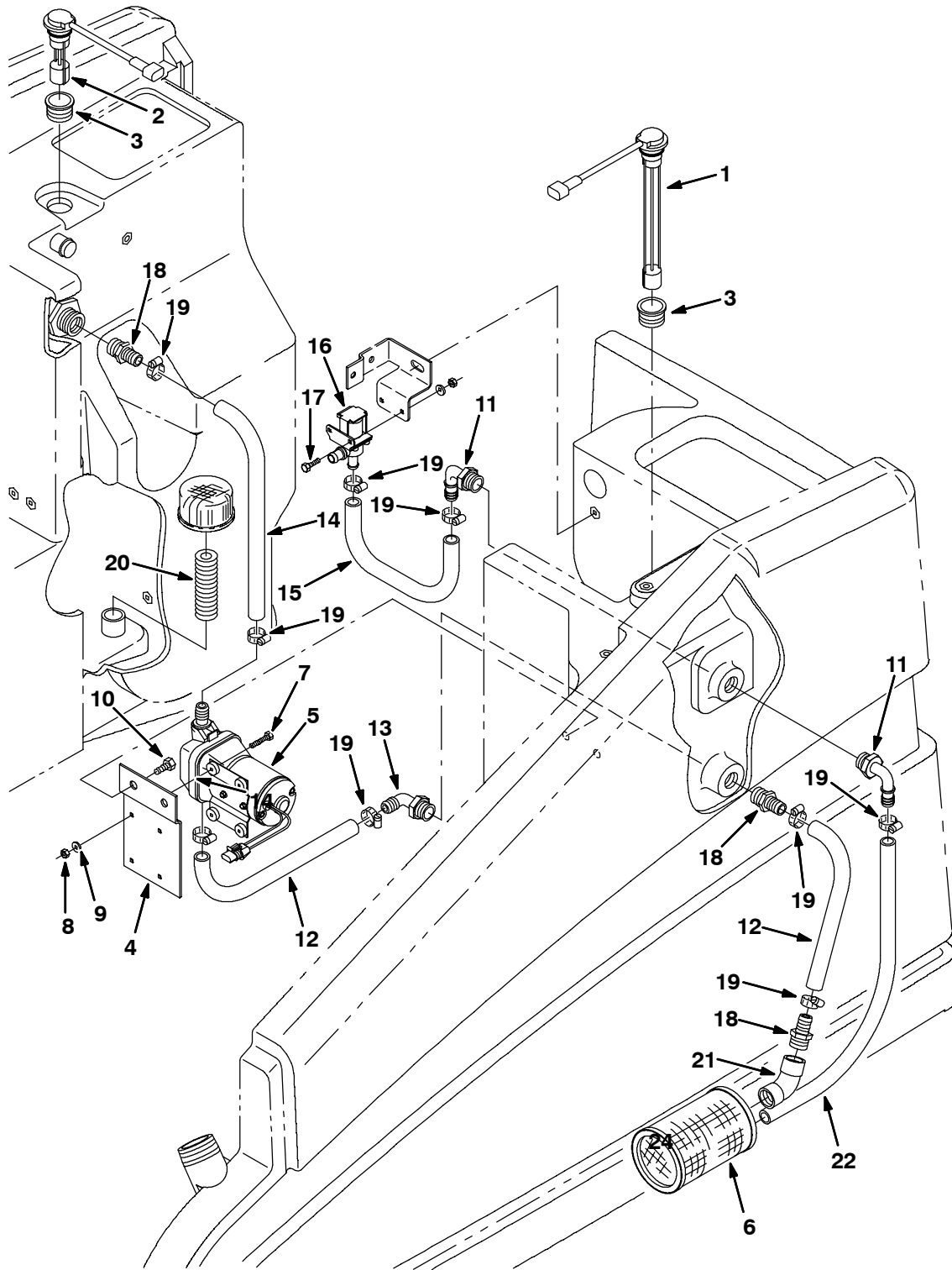
Fig. 6 - ES Pump Group (000000-005439)



**Fig. 6 - ES Pump Group (000000-005439)**

<b>Ref.</b>	<b>Part No.</b>	<b>Serial Number</b>	<b>Description</b>	<b>Qty.</b>
1	223183	(000000-005439 )	Sensor, Level, 10 Inch	1
2	369895	(000000-005439 )	Switch Kit, Sensor, Level, Es [7200]	1
3	223528	(000000-005439 )	Grommet, Level Sensing, 1.6d 9.6l F/1.4h	2
4	223268	(000000-005439 )	Bracket, Mtg, Pump	1
5	223359	(000000-005439 )	Pump Assy, Es (See Breakdowns)	1
6	223524	(000000-005439 )	Strainer, Soltn, 35mesh, Cyl, 4.0d 06.0l	1
7	07805	(000000-005439 )	Screw, Hex, M6 X 1.0 X 35, Ss	4
8	08708	(000000-005439 )	Nut, Hex, Lock, M6 X 1.00, NI	6
9	01684	(000000-005439 )	Washer, Flat, 0.27b 0.69d .05, Ss	6
10	49826	(000000-005439 )	Screw, Hex, M8 X 1.25 X 16, Ss, NI	2
11	223498	(000000-005439 )	Fitting, Plstc Rep.Bynone	1
12	223495	(000000-005439 )	Hose, Pvc, Brd, 0.63id 0.91od 016.0l,Clr	3
13	73468	(000000-005439 )	Fitting, Plstc, E90, Bm10/Pm12	1
14	223526	(000000-005439 )	Hose, Pvc, Brd, 0.63id 0.91od 008.0l,Clr	2
15	16356	(000000-005439 )	Fitting, Plstc, Tee, Bm10/Bm10/Bm10	1
16	369313	(000000-005439 )	Valve, Air, Solenoid, 36vdc, 10bm/10bm	1
17	08716	(000000-005439 )	Screw, Hex, M6 X 1.0 X 20, Ss	2
18	71628	(000000-005439 )	Fitting, Plstc, Str, Bm10/Pm12 [Nylon]	2
19	86824	(000000-005439 )	Clamp, Hose, Wormdrive, 0.50-1.06d, .50w	10
20	223500	(000000-005439 )	Fitting, Plstc, Str, Pm16/Pm16 4.0l	1
21	10575	(000000-005439 )	Fitting, Plstc, E45, Pf12/Pf12	1

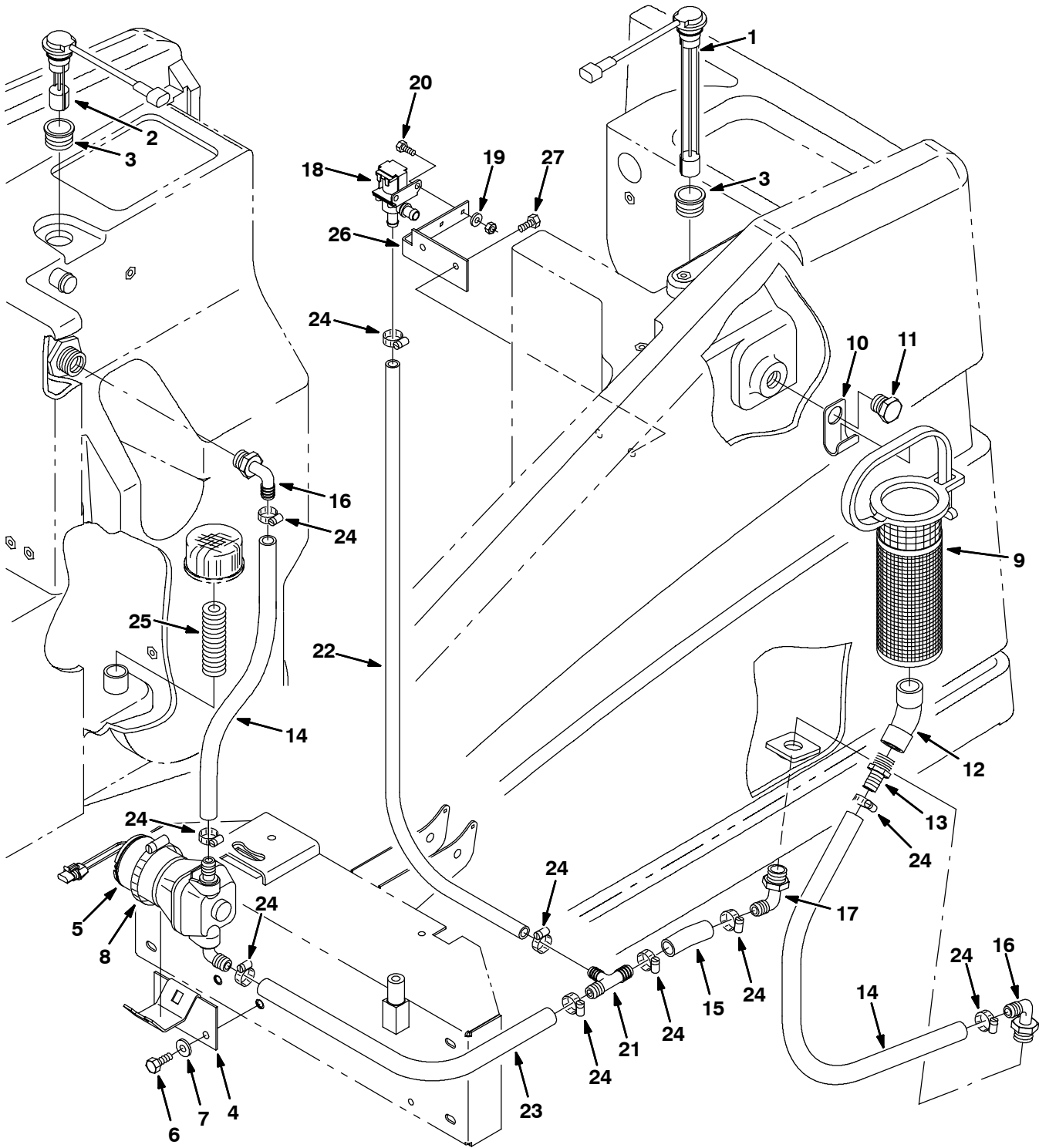
Fig. 7 - ES Pump Group (005440-006139)



**Fig. 7 - ES Pump Group (005440-006139)**

<b>Ref.</b>	<b>Part No.</b>	<b>Serial Number</b>	<b>Description</b>	<b>Qty.</b>
1	223183	(005440-006139 )	Sensor, Level, 10 Inch	1
2	369895	(005440-006139 )	Switch Kit, Sensor, Level, Es [7200]	1
3	223528	(005440-006139 )	Grommet, Level Sensing, 1.6d 9.6l F/1.4h	2
4	223268	(005440-006139 )	Bracket, Mtg, Pump	1
5	223359	(005440-006139 )	Pump Assy, Es (See Breakdowns)	1
6	369331	(005440-006139 )	Strainer, Soltn, 35mesh, Cyl, 4.0d 06.0l	1
7	07805	(005440-006139 )	Screw, Hex, M6 X 1.0 X 35, Ss	4
8	08708	(005440-006139 )	Nut, Hex, Lock, M6 X 1.00, NI	6
9	01684	(005440-006139 )	Washer, Flat, 0.27b 0.69d .05, Ss	6
10	49826	(005440-006139 )	Screw, Hex, M8 X 1.25 X 16, Ss, NI	2
11	63244-3	(005440-006139 )	Fitting, Plstc, E90, Bm08/Pm12	2
12	73473	(005440-006139 )	Hose, Pvc, Brd, 0.62id 0.88od 014.0l,Clr	2
13	73468	(005440-006139 )	Fitting, Plstc, E90, Bm10/Pm12	1
14	223699	(005440-006139 )	Hose, Pvc, Brd, 0.63id 0.91od 010.3l,Clr	1
15	223515	(005440-006139 )	Hose, Pvc, Brd, 0.50id 0.73od 015.6l,Clr	1
16	369313	(005440-006139 )	Valve, Air, Solenoid, 36vdc, 10bm/10bm	1
17	08716	(005440-006139 )	Screw, Hex, M6 X 1.0 X 20, Ss	2
18	71628	(005440-006139 )	Fitting, Plstc, Str, Bm10/Pm12 [Nylon]	3
19	86824	(005440-006139 )	Clamp, Hose, Wormdrive, 0.50-1.06d, .50w	9
20	223500	(005440-006139 )	Fitting, Plstc, Str, Pm16/Pm16 4.0l	1
21	10575	(005440-006139 )	Fitting, Plstc, E45, Pf12/Pf12	1
22	369332	(005440-006139 )	Hose, Pvc, Brd, 0.50id 0.73od 024.0l,Clr	1

Fig. 8 - ES Pump Group (006140-006497)

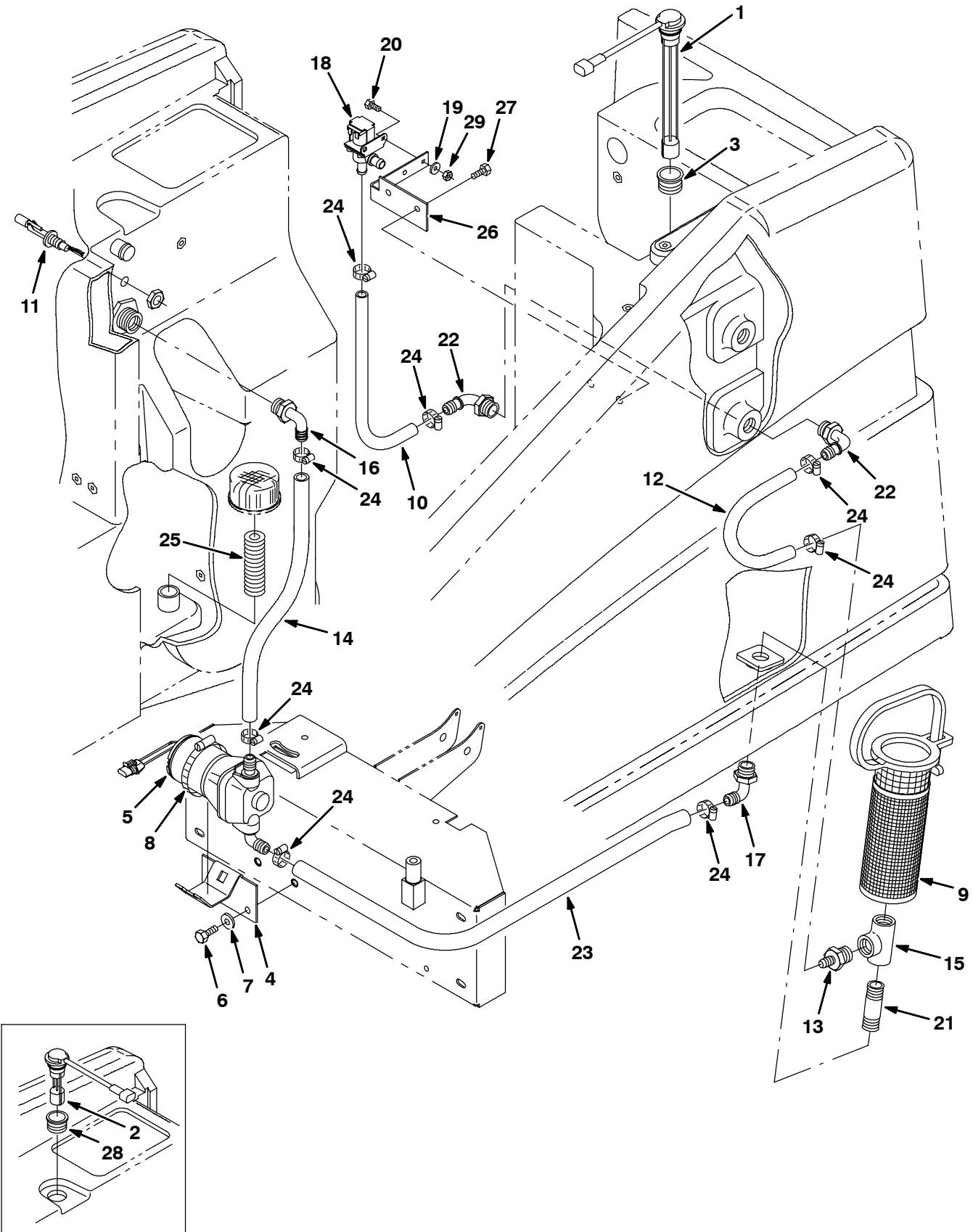




**Fig. 8 - ES Pump Group (006140-006497)**

<b>Ref.</b>	<b>Part No.</b>	<b>Serial Number</b>	<b>Description</b>	<b>Qty.</b>
1	223183	(006140-006497 )	Sensor, Level, 10 Inch	1
2	369895	(006140-006497 )	Switch Kit, Sensor, Level, Es [7200]	1
3	223528	(006140-006497 )	Grommet, Level Sensing, 1.6d 9.6l F/1.4h	2
4	385618	(006140-006497 )	Bracket, Mtg, Pump	1
5	385628	(006140-006497 )	Pump Assy, Water, 36vdc Rep.By369890 (See Breakdowns)	1
6	10959	(006140-006497 )	Screw, Hex, M10 X 1.5 X 20, Ss, NI	2
7	01686	(006140-006497 )	Washer, Flat, 0.44b 1.00d .08, Ss	2
8	17188	(006140-006497 )	Clamp, Hose, Wormdrive, 2.50-3.50d, .50w	1
9	385667	(006140-006497 )	Strainer, Soltn, 40mesh, Cyl, 3.5d 07.5l	1
10	385639	(006140-006497 )	Hook	1
11	75611	(006140-006497 )	Fitting, Plstc, Plug, Pm12	1
12	10575	(006140-006497 )	Fitting, Plstc, E45, Pf12/Pf12	1
13	71628	(006140-006497 )	Fitting, Plstc, Str, Bm10/Pm12 [Nylon]	1
14	385624	(006140-006497 )	Hose, Pvc, Brd, 0.63id 0.88od 035.0l,Clr	2
15	14734	(006140-006497 )	Hose, Pvc, Brd, 0.75id 1.03od 002.6l,Clr	1
16	73468	(006140-006497 )	Fitting, Plstc, E90, Bm10/Pm12	2
17	14877	(006140-006497 )	Fitting, Plstc, E90, Bm12/Pm12	1
18	369313	(006140-006497 )	Valve, Air, Solenoid, 36vdc, 10bm/10bm	1
19	01684	(006140-006497 )	Washer, Flat, 0.27b 0.69d .05, Ss	2
20	08716	(006140-006497 )	Screw, Hex, M6 X 1.0 X 20, Ss	2
21	385644	(006140-006497 )	Fitting, Plstc, Tee, Bm08/Bm12/Bm12, Br	1
22	385682	(006140-006497 )	Hose, Pvc, Brd, 0.50id 0.73od 033.0l,Clr	1
23	385625	(006140-006497 )	Hose, Pvc, Brd, 0.75id 1.03od 023.0l,Clr	1
24	63810	(006140-006497 )	Clamp, Hose, Wormdrive, 0.56-1.06d, .56w	10
25	223500	(006140-006497 )	Fitting, Plstc, Str, Pm16/Pm16 4.0l	1
26	385649	(006140-006497 )	Bracket, Solenoid, Es	1
27	49826	(006140-006497 )	Screw, Hex, M8 X 1.25 X 16, Ss, NI	2

Fig. 9 - ES Pump Group (006498-007061)



**Fig. 9 - ES Pump Group (006498-007061)**

<b>Ref.</b>	<b>Part No.</b>	<b>Serial Number</b>	<b>Description</b>	<b>Qty.</b>
1	223183	(006498-007061 )	Sensor, Level, 10 Inch	1
2	369895	(006498-006549 )	Switch Kit, Sensor, Level, Es [7200]	1
3	223528	(006498-007061 )	Grommet, Level Sensing, 1.6d 9.6l F/1.4h	1
4	385618	(006498-007061 )	Bracket, Mtg, Pump	1
5	385628	(006498-007061 )	Pump Assy, Water, 36vdc Rep.By369890 (See Breakdowns)	1
6	10959	(006498-007061 )	Screw, Hex, M10 X 1.5 X 20, Ss, NI	2
7	01686	(006498-007061 )	Washer, Flat, 0.44b 1.00d .08, Ss	2
8	17188	(006498-007061 )	Clamp, Hose, Wormdrive, 2.50-3.50d, .50w	1
9	385667	(006498-007061 )	Strainer, Soltn, 40mesh, Cyl, 3.5d 07.5l	1
10	16361	(006498-007061 )	Hose, Pvc, Brd, 0.50id 0.72od 015.0l,Clr	1
11	385685	(006550-007061 )	Sensor, Level, Liq, 14vdc 01a .62-11	1
12	49142	(006498-007061 )	Hose, Pvc, Brd, 0.50id 0.75od 018.0l,Clr	1
13	79273-1	(006498-007061 )	Fitting, Plstc, Str, Bm08/Pm12	1
14	385624	(006498-007061 )	Hose, Pvc, Brd, 0.63id 0.88od 035.0l,Clr	1
15	42133A	(006498-007061 )	Fitting, Plstc, Tee, Pf12/Pf12/Pf12	1
16	73468	(006498-007061 )	Fitting, Plstc, E90, Bm10/Pm12	1
17	14877	(006498-007061 )	Fitting, Plstc, E90, Bm12/Pm12	1
18	369313	(006498-007061 )	Valve, Air, Solenoid, 36vdc, 10bm/10bm	1
19	01684	(006498-007061 )	Washer, Flat, 0.27b 0.69d .05, Ss	2
20	08716	(006498-007061 )	Screw, Hex, M6 X 1.0 X 20, Ss	2
21	385665	(006498-007061 )	Fitting, Plstc, Str, Pm12/Pm12 03.0l	1
22	63244-3	(006498-007061 )	Fitting, Plstc, E90, Bm08/Pm12	2
23	385666	(006498-007061 )	Hose, Pvc, Brd, 0.75id 1.03od 026.0l,Clr	1
24	63810	(006498-007061 )	Clamp, Hose, Wormdrive, 0.56-1.06d, .56w	8
25	223500	(006498-007061 )	Fitting, Plstc, Str, Pm16/Pm16 4.0l	1
26	385649	(006498-007061 )	Bracket, Solenoid, Es	1
27	49826	(006498-007061 )	Screw, Hex, M8 X 1.25 X 16, Ss, NI	2
28	223528	(006498-006549 )	Grommet, Level Sensing, 1.6d 9.6l F/1.4h	1
29	08708	(006498-007061 )	Nut, Hex, Lock, M6 X 1.00, NI	2

**Fig. 10 - ES Pump Group (007062- )**

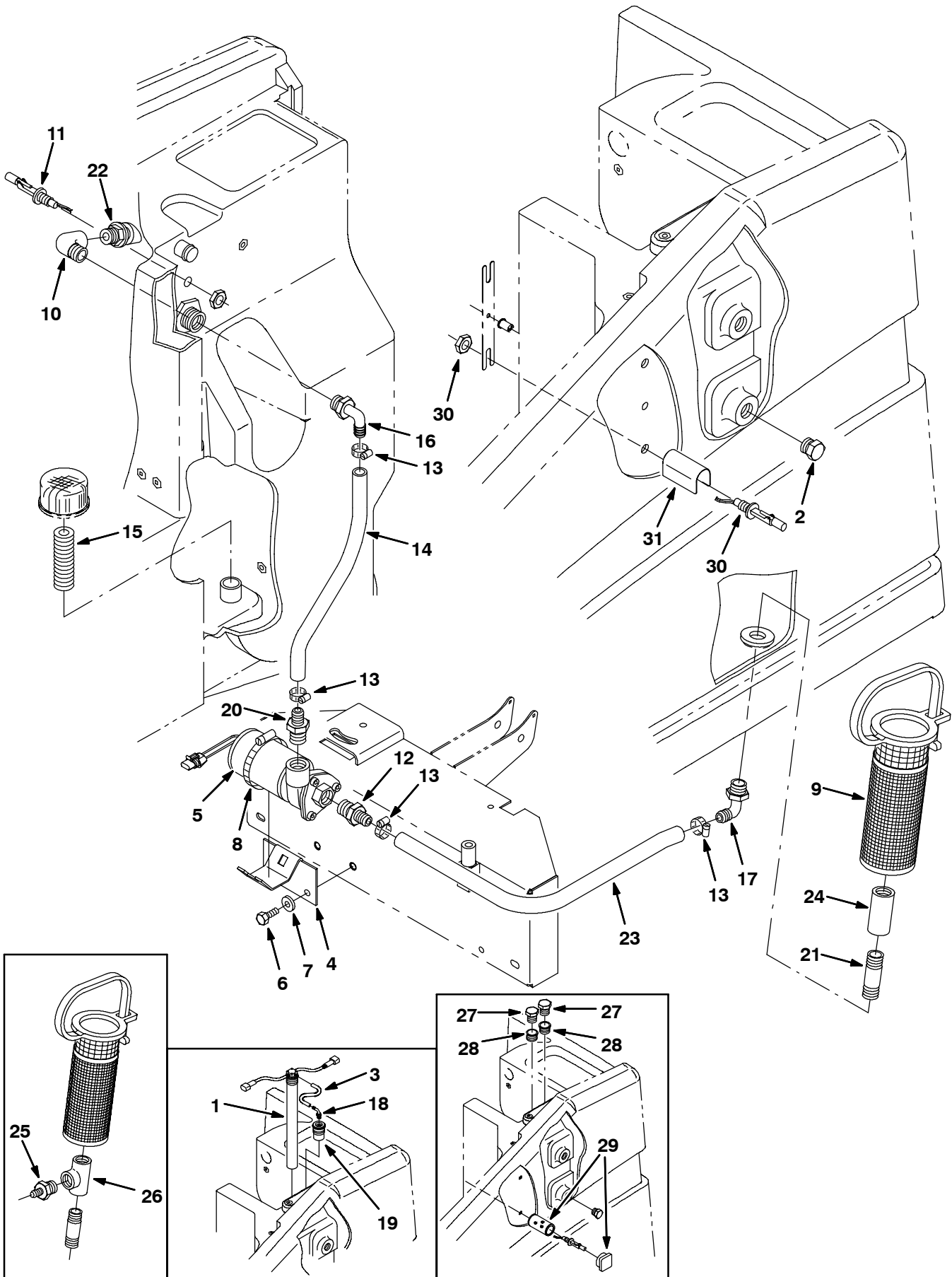
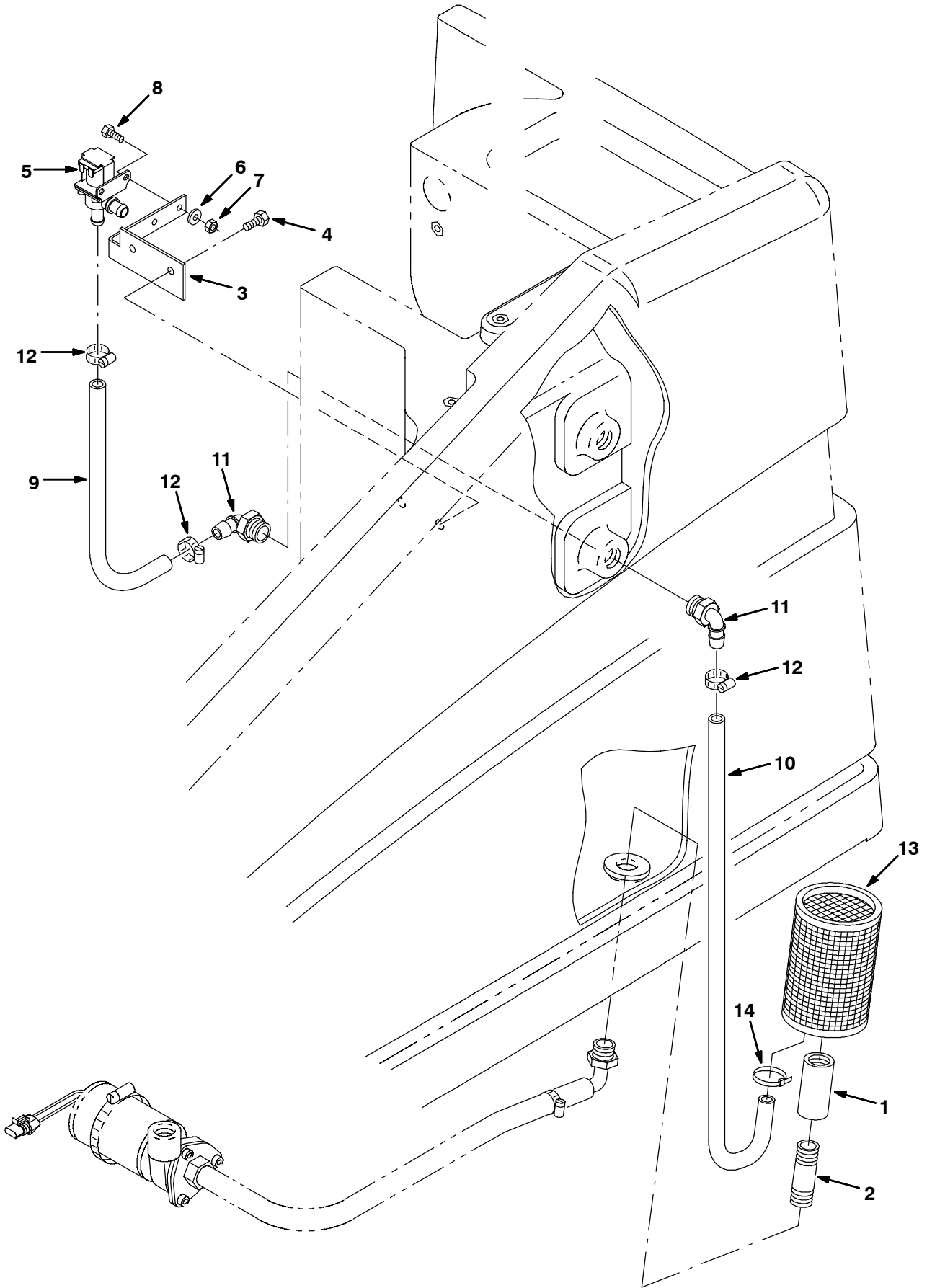


Fig. 10 - ES Pump Group (007062- )

Ref.	Part No.	Serial Number	Description	Qty.
1	375427	(007062-008974 )	Switch, Press, Dual, 02pf 14inch Tube	1
2	75611	(007062- )	Fitting, Plstc, Plug, Pm12	1
3	57578	(007062-008974 )	Hose, Vacuum, 0.16id X 008.0l	1
4	385618	(007062- )	Bracket, Mtg, Pump	1
5	369865	(007062- )	Pump, Soltn, Ele, 36vdc, Impeller	1
6	10959	(007062- )	Screw, Hex, M10 X 1.5 X 20, Ss, NI	2
7	01686	(007062- )	Washer, Flat, 0.44b 1.00d .08, Ss	2
8	17188	(007062- )	Clamp, Hose, Wormdrive, 2.50-3.50d, .50w	1
9	385667	(007062- )	Strainer, Soltn, 40mesh, Cyl, 3.5d 07.5l	1
10	69785	(007062- )	Fitting, Plstc, E90, Pf12/Pm12	1
11	385685	(006550- )	Sensor, Level, Liq, 14vdc 01a .62-11	1
12	79273-2	(007062- )	Fitting, Plstc, Str, Bm12/Pm12	1
13	63810	(007062- )	Clamp, Hose, Wormdrive, 0.56-1.06d, .56w	4
14	385624	(007062- )	Hose, Pvc, Brd, 0.63id 0.88od 035.0l,Clr	1
15	223500	(007062- )	Fitting, Plstc, Str, Pm16/Pm16 4.0l	1
16	73468	(007062- )	Fitting, Plstc, E90, Bm10/Pm12	1
17	14877	(007062- )	Fitting, Plstc, E90, Bm12/Pm12	1
18	386425	(007062-008974 )	Fitting, Plstc, E90 Rep.By397697	1
19	385750	(007062-008974 )	Tube, Sensor, Level, Soltn, 2.0l	1
20	365095	(007062- )	Fitting, Plstc, Str, Bm10/Pm12	1
21	385665	(007062- )	Fitting, Plstc, Str, Pm12/Pm12 03.0l	1
22	369869	(007062- )	Valve, Check, Soltn, Pm12	1
23	385666	(007062- )	Hose, Pvc, Brd, 0.75id 1.03od 026.0l,Clr	1
24	05134	(007062- )	Fitting, Plstc, Str, Pf12/Pf12	1
25	79273-1	(007062- xxxxxx )	Fitting, Plstc, Str, Bm08/Pm12	1
26	42133A	(007062- xxxxxx )	Fitting, Plstc, Tee, Pf12/Pf12/Pf12	1
27	49745	(008975- xxxxxx )	Fitting, Plstc, Plug, Pm16	2
28	223528	(008975- xxxxxx )	Grommet, Level Sensing, 1.6d 9.6l F/1.4h	2
29	375302	(008975-010021 )	Strainer, Switch, Grd Rep.By1023713	1
30	385685	(008975- )	Sensor, Level, Liq, 14vdc 01a .62-11	1
31	1019285	(010022- )	Bracket, Protector, Float Switch	1

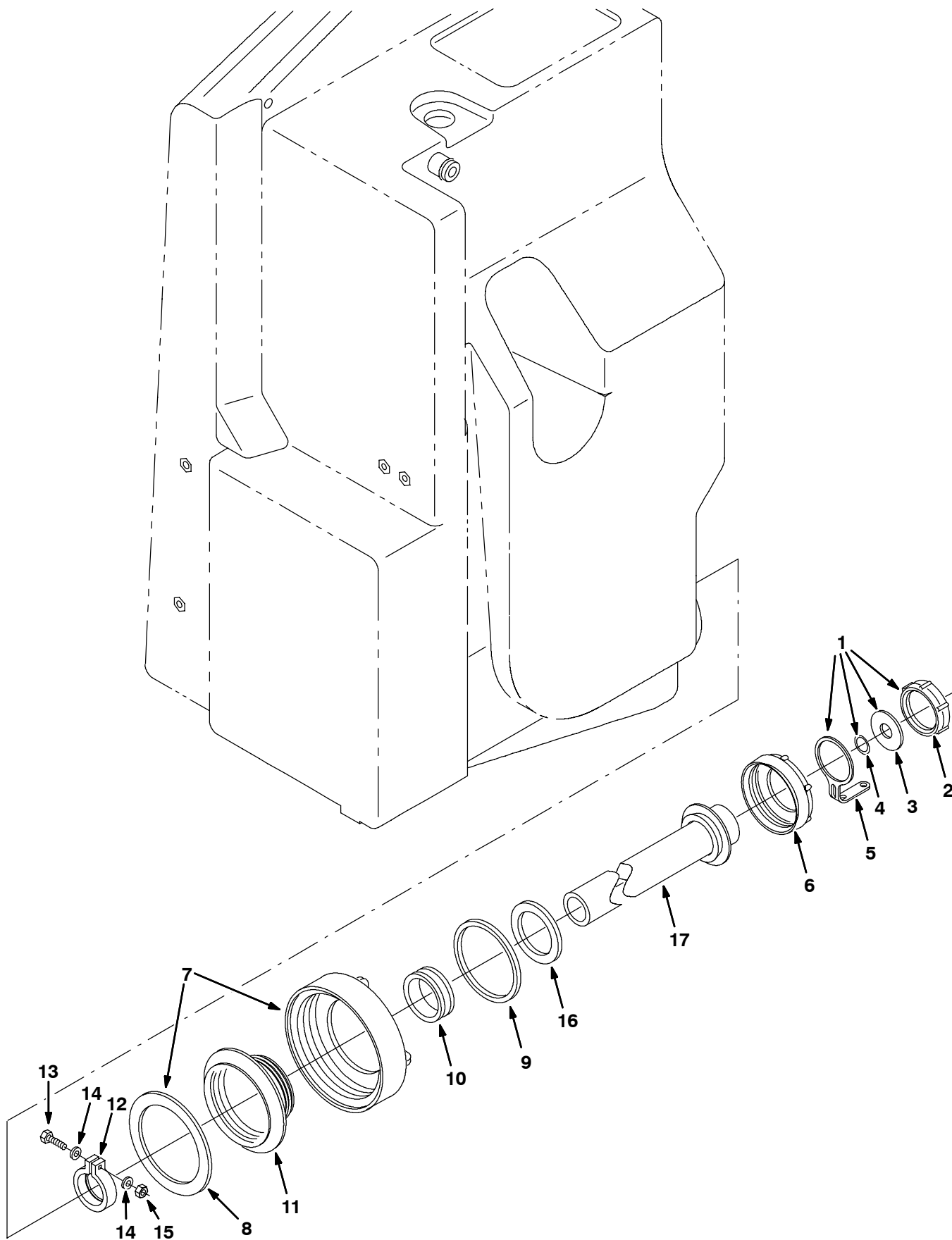
Fig. 11 - ES Filter Backflush Kit (007062- )



**Fig. 11 - ES Filter Backflush Kit (007062- )**

	<b>Ref.</b>	<b>Part No.</b>	<b>Serial Number</b>	<b>Description</b>	<b>Qty.</b>
▽		397684	(007062-	) Filter Kit, Backflush, Es, Ci [7200]	1
▲	1	05134	(007062-	) Fitting, Plstc, Str, Pf12/Pf12	1
▲	2	385665	(007062-	) Fitting, Plstc, Str, Pm12/Pm12 03.0l	1
▲	3	385649	(007062-	) Bracket, Solenoid, Es	1
▲	4	49826	(007062-	) Screw, Hex, M8 X 1.25 X 16, Ss, NI	2
▲	5	369313	(007062-	) Valve, Air, Solenoid, 36vdc, 10bm/10bm	1
▲	6	01684	(007062-	) Washer, Flat, 0.27b 0.69d .05, Ss	2
▲	7	08708	(007062-	) Nut, Hex, Lock, M6 X 1.00, NI	2
▲	8	08716	(007062-	) Screw, Hex, M6 X 1.0 X 20, Ss	2
▲	9	16361	(007062-	) Hose, Pvc, Brd, 0.50id 0.72od 015.0l,Clr	1
▲	10	369332	(007062-	) Hose, Pvc, Brd, 0.50id 0.73od 024.0l,Clr	1
▲	11	1005552	(007062-	) Fitting, Plstc, E90, Bm08/Pm12, Nyl	2
▲	12	63810	(007062-	) Clamp, Hose, Wormdrive, 0.56-1.06d, .56w	3
▲	13	369331	(007062-	) Strainer, Soltn, 35mesh, Cyl, 4.0d 06.0l	1
▲	14	49266	(007062-	) Tie, Cable, Nyl, 07.3l .19w 1.8 Max D	1

Fig. 12 - ES Drain Group

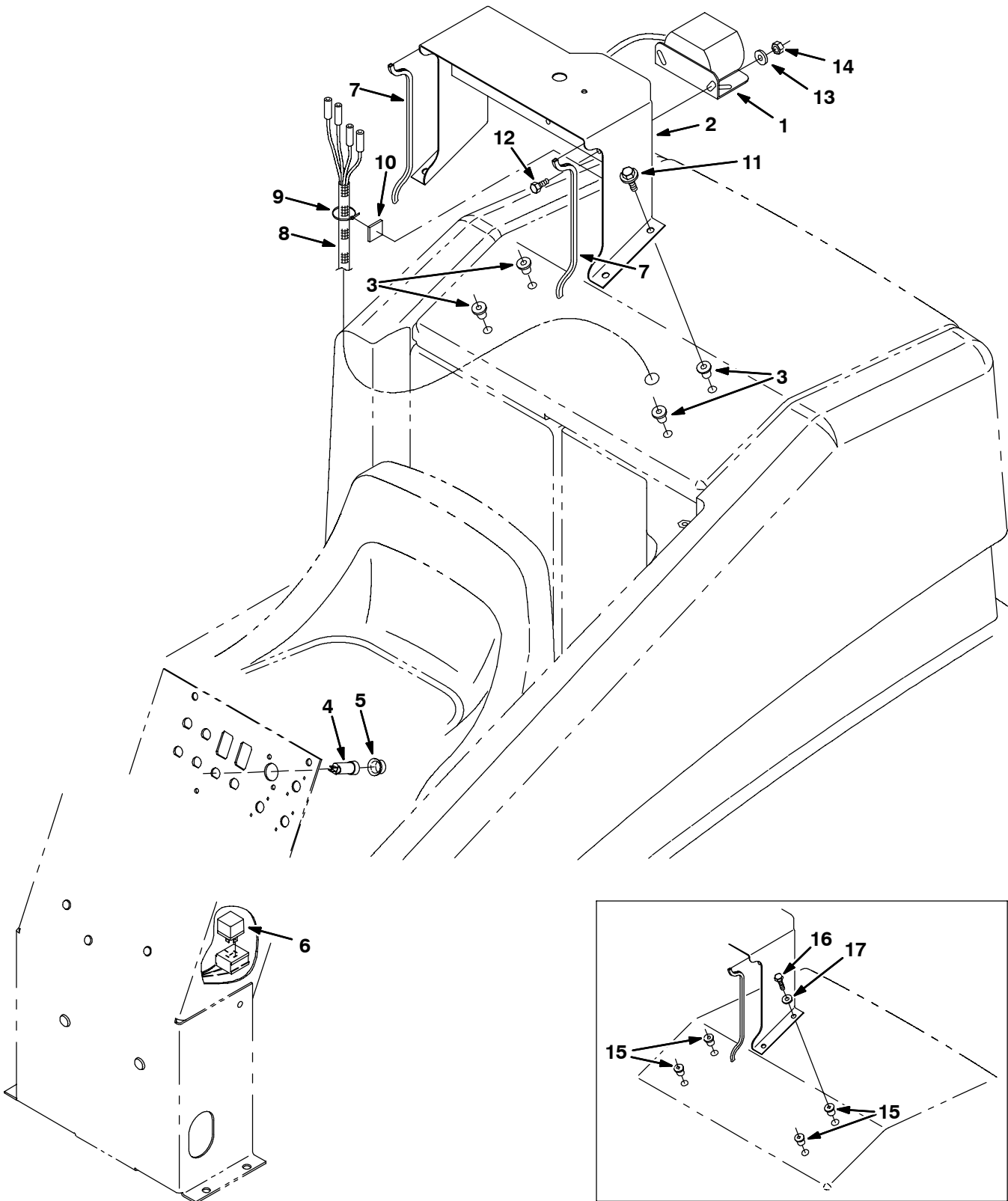




**Fig. 12 - ES Drain Group**

	<b>Ref.</b>	<b>Part No.</b>	<b>Serial Number</b>	<b>Description</b>	<b>Qty.</b>
▽		223533	(000000-	) Hose Assy, Drain, 0.31id X 24.3l, Pvc	1
▲▽	1	32501	(000000-	) Drain Kit, Cap	1
▲▲	2	32613	(000000-	) Cap, Tank, Drain, 2.25 Thread Pye	1
▲▲	3	32614	(000000-	) Gasket, Cap	1
▲▲	4	32669	(000000-	) Ring, Retaining, Ext, 0.75d, Ss	1
▲▲	5	32508	(000000-	) Strap	1
▲	6	14880	(000000-	) Cap, Tank, Drain, 3.85 Thread Pye	1
▲▽	7	24358	(000000-	) Cap Assy, Tank, Drain	1
▲▲	8	1031699	(000000-	) Gasket, 4.05id 5.29od .19 [Buna]	1
▲	9	79320	(000000-	) Gasket, Cap, Drain	1
▲	10	41421	(000000-	) Seal	1
▲	11	14864	(000000-	) Cover, Insert	1
▲	12	41454	(000000-	) Clamp, Hose, Plstc, 1.60d X 0.62w	1
▲	13	12316	(000000-	) Screw, Hex, M5 X 0.8 X 25, Ss	1
▲	14	01683	(000000-	) Washer, Flat, 0.22b 0.50d .05, Ss [#10]	1
▲	15	09739	(000000-	) Nut, Hex, Lock, M5 X 0.80, NI, Ss	1
▲	16	41451	(000000-	) Gasket, Lid	1
▲	17	24174	(000000-	) Hose Assy, Pvc, 1.3id 1.7od 24.3l	1

Fig. 13 - Backup Alarm Kit



**Fig. 13 - Backup Alarm Kit**

	<b>Ref.</b>	<b>Part No.</b>	<b>Serial Number</b>	<b>Description</b>	<b>Qty.</b>
▽		223021	(000000-	) Alarm Kit, Backup, Ci [7200]	1
▲	1	369349	(000000-	) Alarm Assy, Backup, 12-48vdc 82-102dba	1
▲	2	369381	(000000-	) Bracket Wldt, Light / Alarm	1
▲	3	397644	( xxxxxx-	) Nut, Isolator, .25-20 Wall Th .187-.343	4
▲	4	57164	(000000-	) Circuitbreaker, 10.0a, Resetable	1
▲	5	57751	(000000-	) Boot, Dome, .72id .72l, Clear	1
▲	6	398526	(000000-	) Relay, 36vdc, 005a, Spdt No [Greenwich]	1
▲	7	62595-4	(000000-	) Molding, Trim, Pvc, .08-.11 10.0l	2
▲	8	369400	(000000-	) Harness, Alarm, Backup [7200]	1
▲	9	49266	(000000-	) Tie, Cable, Nyl, 07.3l .19w 1.8 Max D	1
▲	10	55248	(000000-	) Mount, Cable Tie	1
▲	11	16951	( xxxxxx-	) Screw, Hex, .25-20 X 1.25, Sems	4
▲	12	06942	(000000-	) Screw, Hex, M6 X 1.0 X 16, 8.8	2
▲	13	19066	(000000-	) Washer, Flat, #10	2
▲	14	07790	(000000-	) Nut, Hex, Flng, M6 X 1.00	2
	15	397649	(000000- xxxxxx	) Nut Kit, Isolator, F/369344, Replmt	1
	16	39612	(000000- xxxxxx	) Screw, Hex, .31-18 X 2.00, Fl	4
	17	32491	(000000- xxxxxx	) Washer, Flat, 0.31, Std	4

Fig. 14 - Heavy Duty Vacuum Fan Kit

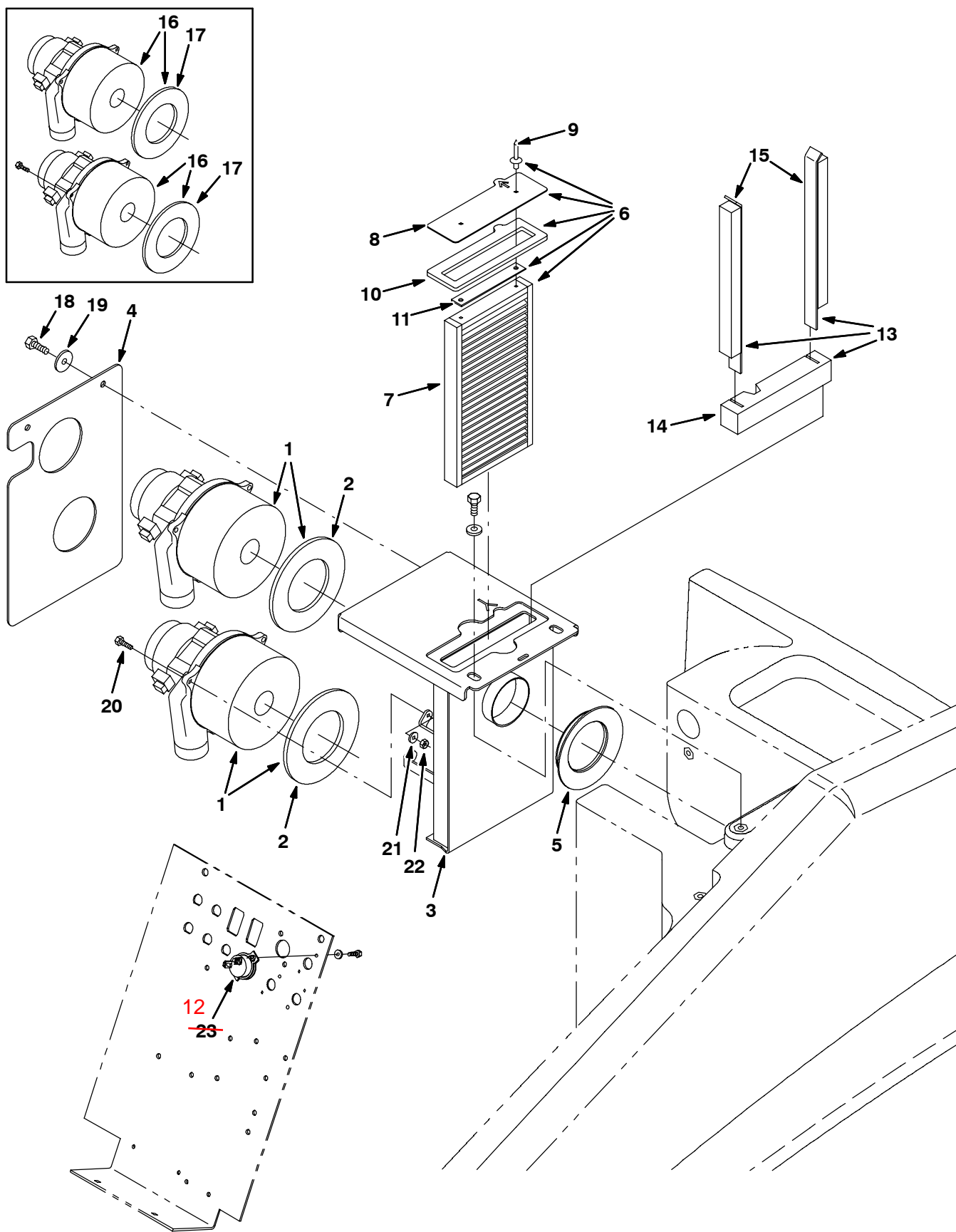
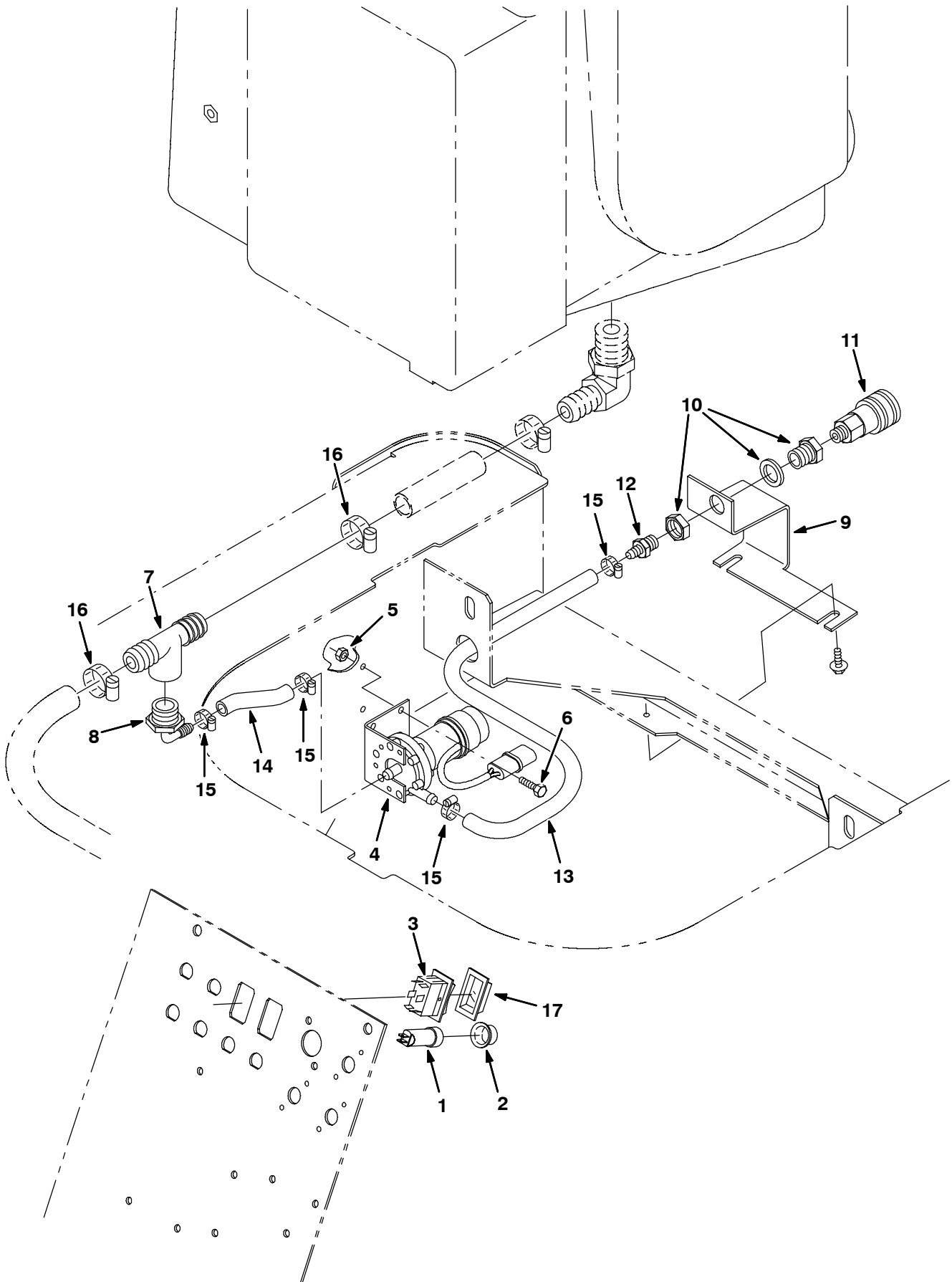


Fig. 14 - Heavy Duty Vacuum Fan Kit

Ref.	Part No.	Serial Number	Description	Qty.
▽	223031	(000000-	) Vacfan Kit, Ci, Dual [7200]	1
▲▽	1 398520	(008452-	) Fan Assy, Vacuum, 5.7d, 036vdc, 3 Stage (See Breakdowns)	2
▲▲	2 223264	(008452-	) Seal, Rbr, Clsd, 0.25, 5.8d 03.3h	1
▲	3 223272	(000000-	) Bracket Wldt, Mtg, Fan	1
▲	4 223286	(000000-	) Skirt, Fan, Dual, Neo, .12, Trimmed	1
▲	5 223525	(000000-	) Seal, Fan	1
▲▽	6 223532	(000000-	) Filter Assy, Panl, Scrbr [7200]	1
▲▲	7 223267	(000000-	) Filter, Panl, Dust, 1.0 X 06.0 X 11.0	1
▲▲	8 223279	(000000-	) Plate, Top	1
▲▲	9 393074	(000000-	) Rivet, Blind, .188d X 0.47 X .38d, Alm	2
▲▲	10 223266	(000000-	) Seal, Rbr, Clsd, 0.25, Fltr, Panl	1
▲▲	11 385617	(000000-	) Plate, Spacer, Fltr	1
383728 ▲	12 <del>222283</del>	(000000-	) Circuitbreaker, <del>40.0a</del> , Resetable 50A	1
▲▽	13 369456	(000000-	) Seal Kit, Vacfan & Panl Fltr, Modif	1
▲▲	14 369455	(000000-	) Seal, Rbr, Clsd, 1.41, Fltr, Hd	1
▲▲	15 369449	(000000-	) Seal Assy, Vacfan	2
▽	16 17363	(000000-008451	) Fan Assy, Vacuum Rep By 398520	2
▲	17 223264	(000000-008451	) Seal, Rbr, Clsd, 0.25, 5.8d 03.3h	1
▲	18 49826	(000000-	) Screw, Hex, M8 X 1.25 X 16, Ss, NI	1
▲	19 30013	(000000-	) Washer, Flat, 0.31, Fendr	2
▲	20 12316	(000000-	) Screw, Hex, M5 X 0.8 X 25, Ss	2
▲	21 01683	(000000-	) Washer, Flat, 0.22b 0.50d .05, Ss [#10]	6
▲	22 09739	(000000-	) Nut, Hex, Lock, M5 X 0.80, NI, Ss	6

Fig. 15 - Power Wand Pump and Fittings Group



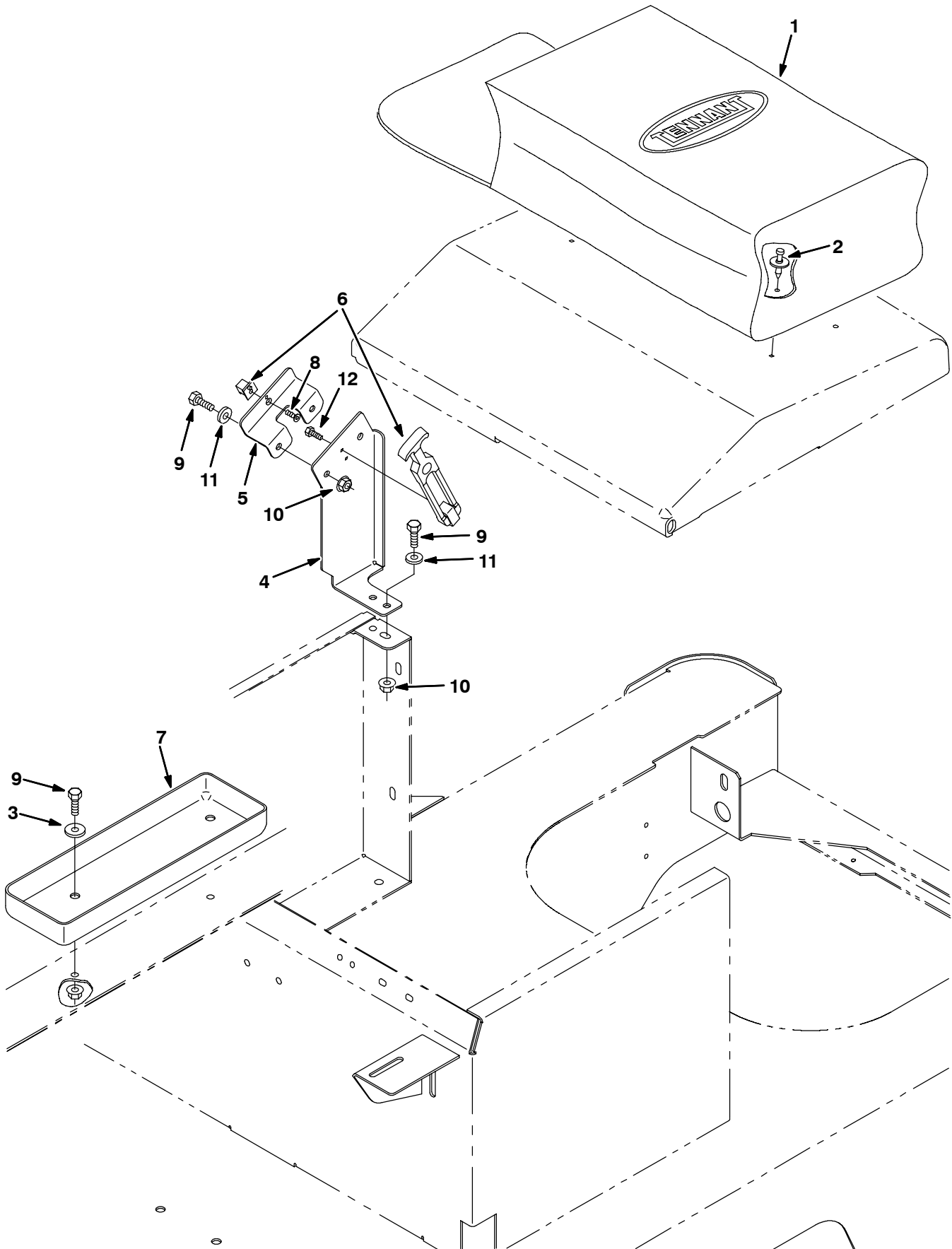
**Fig. 15 - Power Wand Pump and Fittings Group**

*NOTE: Power Wand Kit, Scrub Head 900 mm (36 in), Tennant Part Number 223282, includes; Fig. 15, Fig. 16, Fig. 19, and Fig. 20.*

*NOTE: Power Wand Kit, Rollout Battery, Tennant Part Number 385634, includes; Fig. 15, Fig. 18, Fig. 19, and Fig. 20.*

<b>Ref.</b>	<b>Part No.</b>	<b>Serial Number</b>	<b>Description</b>	<b>Qty.</b>
1	57164	(000000-	) Circuitbreaker, 10.0a, Resetable	1
2	57751	(000000-	) Boot, Dome, .72id .72l, Clear	1
3	65557	(000000-	) Switch, Rocker, Spst, On / Off	1
4	223496	(000000-	) Pump, Water, 36vdc	1
5	09739	(000000-	) Nut, Hex, Lock, M5 X 0.80, NI, Ss	2
6	09738	(000000-	) Screw, Hex, M5 X 0.8 X 12, Ss	2
7	76075	(000000-	) Fitting, Plstc, Tee, Bm12/Pf12/Bm12, Br	1
8	79484	(000000-	) Fitting, Plstc, E90, Bm06/Pm12, Nyl	1
9	223521	(000000-	) Bracket, Mtg	1
10	78122	(000000-	) Fitting, Brs, Str, Pf04/Pf04, Bh	1
11	65342	(000000-	) Fitting, Brs, Qdc, Pm04/Qf06	1
12	49186	(000000-	) Fitting, Plstc, Str, Bm06/Pm04, Nyl	1
13	223523	(000000-	) Hose, Pvc, Brd, 0.38id 0.60od 013.0l,Clr	1
14	223640	(000000-	) Hose, Pvc, Brd, 0.38id 0.60od 003.5l,Clr	1
15	43844	(000000-	) Clamp, Hose, Wormdrive, 0.25-0.62d, .31w	4
16	86824	(000000-	) Clamp, Hose, Wormdrive, 0.50-1.06d, .50w	2
17	57807	(000000-	) Cover, Seal, Rocker Switch	1

Fig. 16 - Power Wand Mount Group, Scrub Head, 900 mm (36 in)



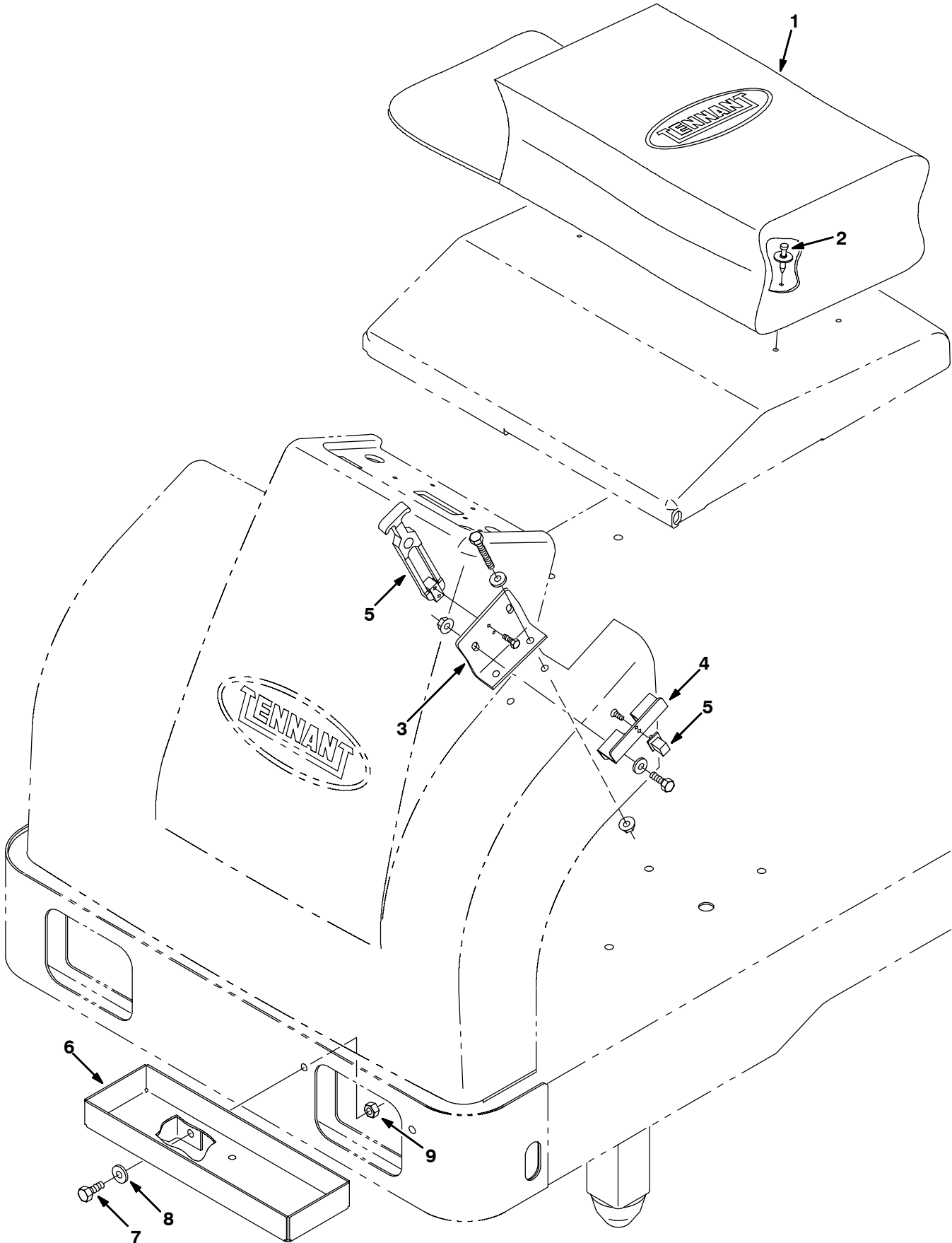


**Fig. 16 - Power Wand Mount Group, Scrub Head, 900 mm (36 in)**

*NOTE: Power Wand Kit, Scrub Head 900 mm (36 in), Tennant Part Number 223282, includes; Fig. 15, Fig. 16, Fig. 19, and Fig. 20.*

<b>Ref.</b>	<b>Part No.</b>	<b>Serial Number</b>	<b>Description</b>	<b>Qty.</b>
1	65580	(000000-	) Bag, Power	1
2	72968	(000000-	) Rivet, Plstc, .250d X 0.90	4
3	30013	(000000-	) Washer, Flat, 0.31, Fendr	2
4	223649	(000000-	) Bracket Wldt, Wand, Power	1
5	223490	(000000-	) Bracket, Wand, Power	1
6	223522	(000000-	) Latch, Flexible Draw	1
7	223492	(000000-	) Tray, Brush	1
8	09120	(000000-	) Screw, Flt, M5 X 0.8 X 16, 10.9	1
9	16931	(000000-	) Screw, Hex, M8 X 1.25 X 20, 8.8	6
10	07791	(000000-	) Nut, Hex, Flng, M8 X 1.25	4
11	32491	(000000-	) Washer, Flat, 0.31, Std	4
12	09244	(000000-	) Screw, Hex, M5 X 0.8 X 16, 8.8	2
13	07791	(000000-	) Nut, Hex, Flng, M8 X 1.25	2

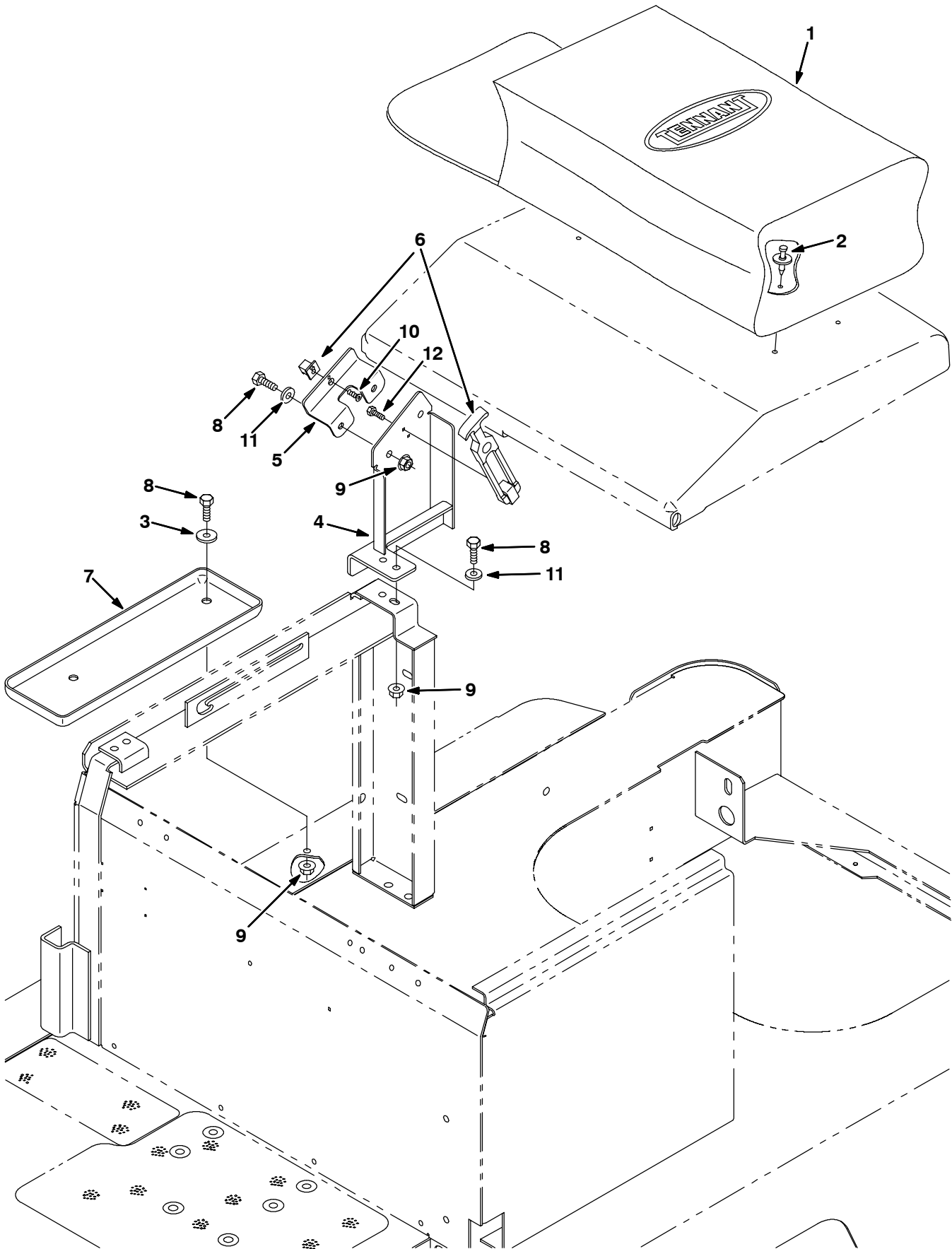
Fig. 17 - Power Wand Mount Group, Scrub Head, 700 mm (28 in)



**Fig. 17 - Power Wand Mount Group, Scrub Head, 700 mm (28 in)**

<b>Ref.</b>	<b>Part No.</b>	<b>Serial Number</b>	<b>Description</b>	<b>Qty.</b>
1	65580	(000000-008237 )	Bag, Power	1
2	72968	(000000-008237 )	Rivet, Plstc, .250d X 0.90	4
3	385658	(000000-008237 )	Bracket, Wand, Power	1
4	223490	(000000-008237 )	Bracket, Wand, Power	1
5	223522	(000000-008237 )	Latch, Flexible Draw	1
6	385654	(000000-008237 )	Tray, Wand, Power	1
7	09291	(000000-008237 )	Screw, Hex, M10 X 1.5 X 20, Ss	2
8	01686	(000000-008237 )	Washer, Flat, 0.44b 1.00d .08, Ss	2
9	08714	(000000-008237 )	Nut, Hex, Lock, M10 X 1.5, NI, Ss	2

Fig. 18 - Power Wand Mount Group, Rollout Battery

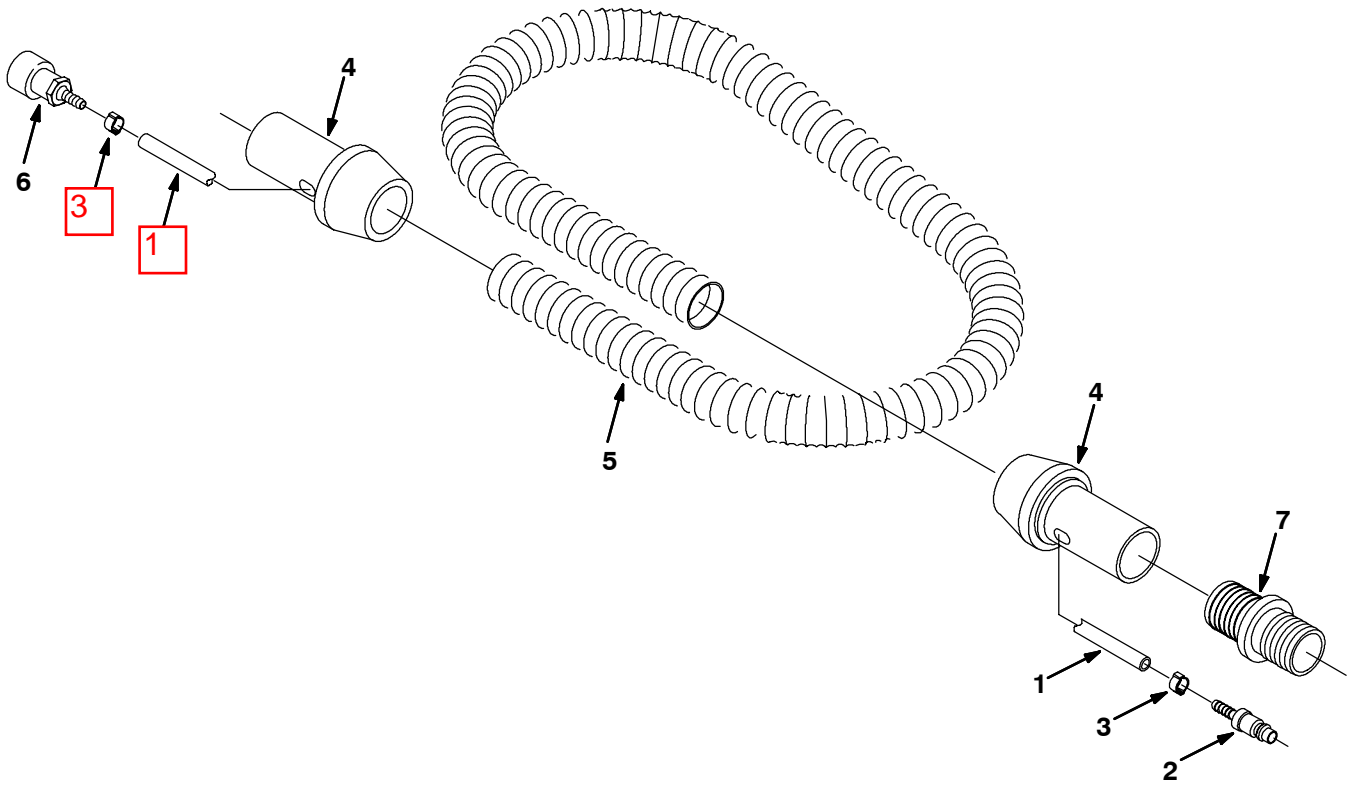


**Fig. 18 - Power Wand Mount Group, Rollout Battery**

*NOTE: Power Wand Kit, Rollout Battery, Tennant Part Number 385634, includes; Fig. 15, Fig. 18, Fig. 19, and Fig. 20.*

<b>Ref.</b>	<b>Part No.</b>	<b>Serial Number</b>	<b>Description</b>	<b>Qty.</b>
1	65580	(000000-	) Bag, Power	1
2	72968	(000000-	) Rivet, Plstc, .250d X 0.90	4
3	30013	(000000-	) Washer, Flat, 0.31, Fendr	2
4	385651	(000000-	) Bracket Wldt, Wand, Power	1
5	223490	(000000-	) Bracket, Wand, Power	1
6	223522	(000000-	) Latch, Flexible Draw	1
7	385632	(000000-	) Tray, Brush, Rwk	1
8	16931	(000000-	) Screw, Hex, M8 X 1.25 X 20, 8.8	6
9	07791	(000000-	) Nut, Hex, Fing, M8 X 1.25	6
10	09120	(000000-	) Screw, Flt, M5 X 0.8 X 16, 10.9	1
11	32491	(000000-	) Washer, Flat, 0.31, Std	4
12	09244	(000000-	) Screw, Hex, M5 X 0.8 X 16, 8.8	2

Fig. 19 - Power Wand Hose Assembly



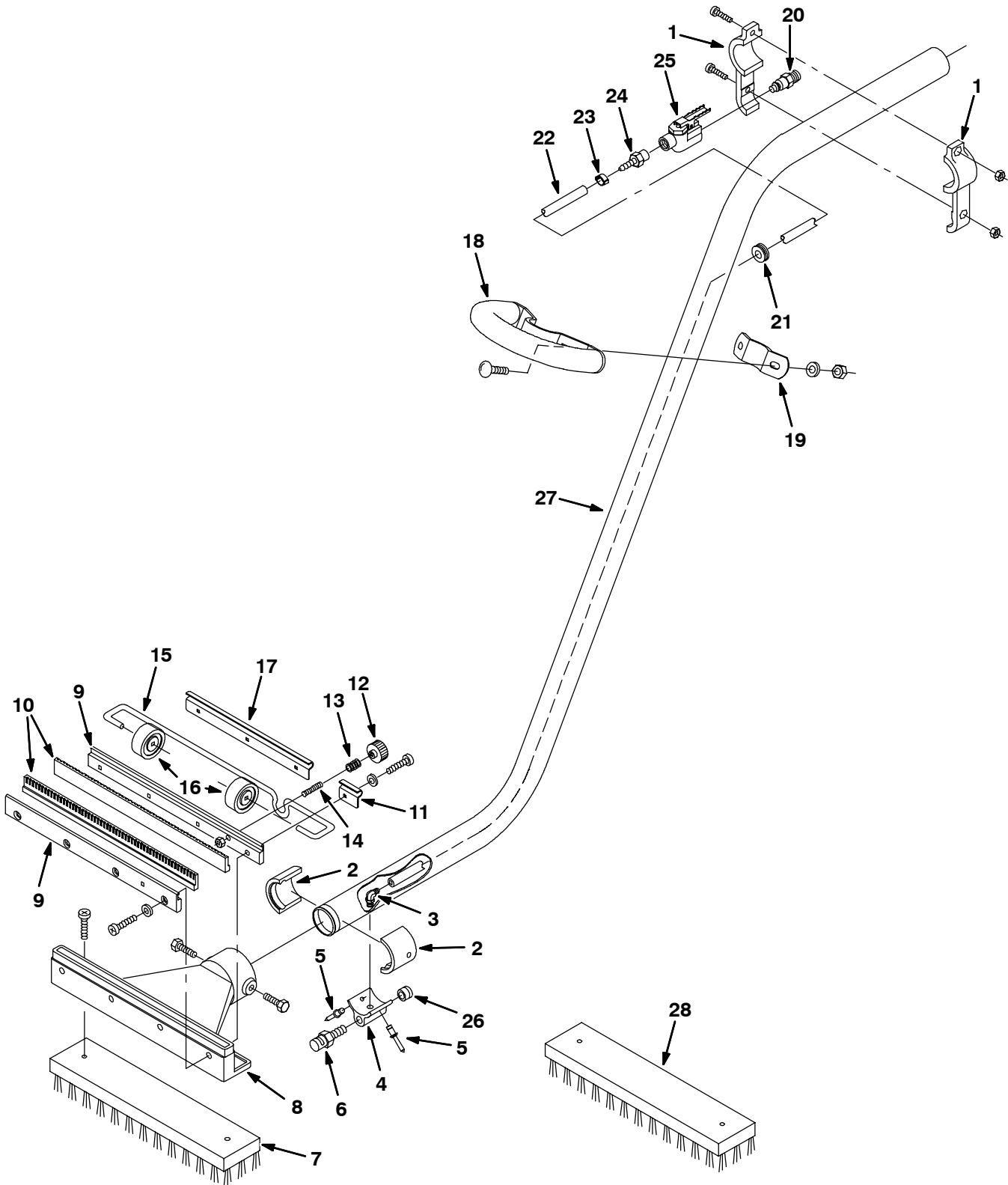
**Fig. 19 - Power Wand Hose Assembly**

NOTE: Power Wand Kit, Scrub Head 900 mm (36 in), Tennant Part Number 223282, includes; Fig. 15, Fig. 16, Fig. 19, and Fig. 20.

NOTE: Power Wand Kit, Rollout Battery, Tennant Part Number 385634, includes; Fig. 15, Fig. 18, Fig. 19, and Fig. 20.

	Ref.	Part No.	Serial Number	Description	Qty.
▽		65341	(000000-	) Hose Assy, Wand, Power	1
▲	2	4 578318000	(000000-	) Fitting, Stl, Qdc, Bm04	1
▲	3	2 578160000	(000000-	) Clamp, Hose, Ear, 11-13mm, Ss	2
▲	1	3 578820000	(000000-	) Hose, Pvc, Brd, 0.25id 0.44od 157.2l,Clr	1
▲		4 578072000	(000000-	) Cuff, Swivel, 1.5 Blk	2
▲		5 578276000	(000000-	) Hose, Vacuum, 1.50id X 10ft, Gray	1
▲		6 578071000	(000000-	) Fitting, Brs, Qdc, Bm04/Pf04	1
		7 12694	(000000-	) Fitting, Plstc, Str, Bm24/Bm24	1

Fig. 20 - Power Wand Assembly





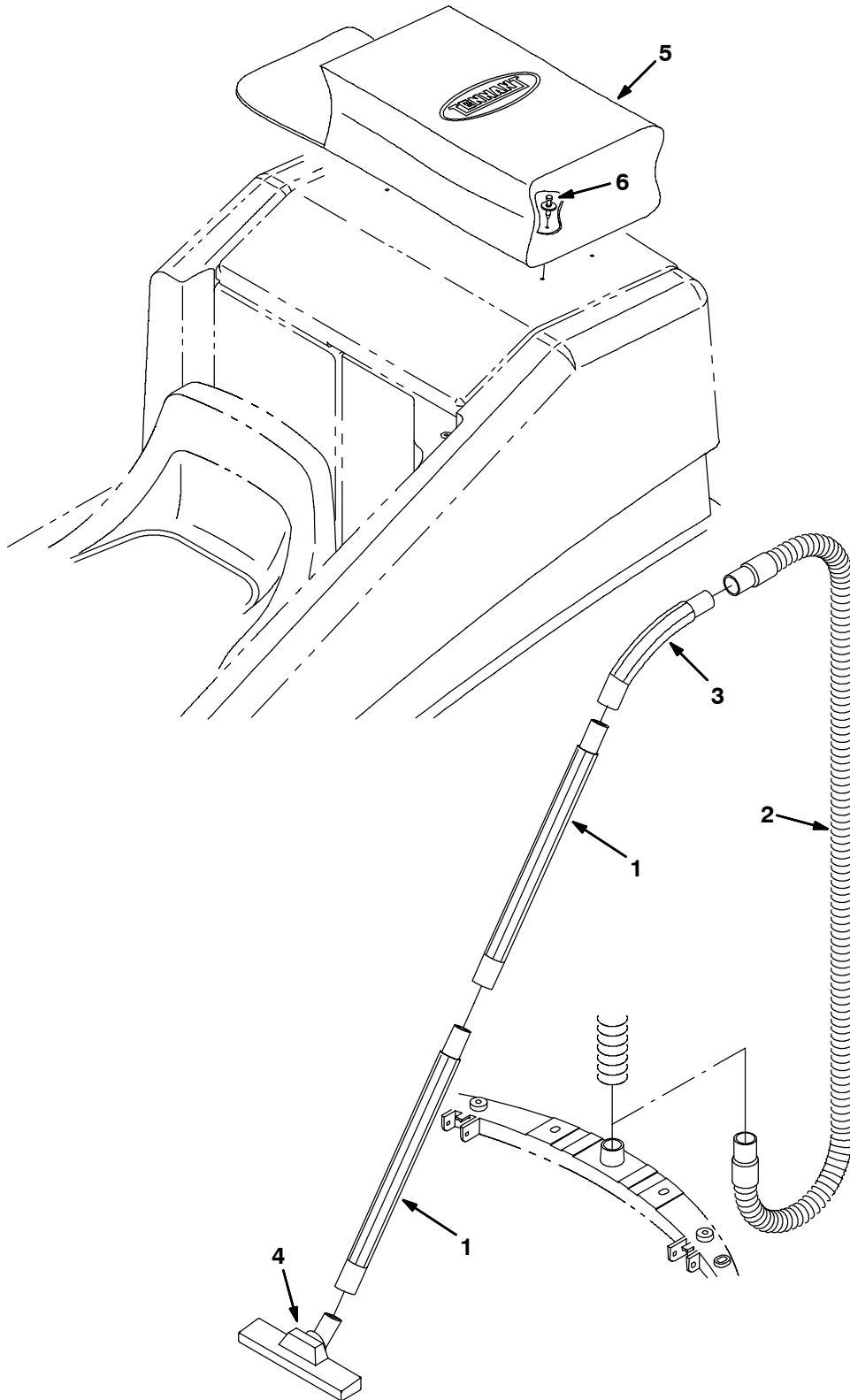
**Fig. 20 - Power Wand Assembly**

NOTE: Power Wand Kit, Scrub Head 900 mm (36 in), Tennant Part Number 223282, includes; Fig. 15, Fig. 16, Fig. 19, and Fig. 20.

NOTE: Power Wand Kit, Rollout Battery, Tennant Part Number 385634, includes; Fig. 15, Fig. 18, Fig. 19, and Fig. 20.

	Ref.	Part No.	Serial Number	Description	Qty.
▽		65340	(000000-	) Wand Assy, Power	1
▲	1	578077000	(000000-	) Bracket, Wand, Valve Mtg	1
▲	2	578061000	(000000-	) Adapter, Head / Wand [17b/E]	2
▲	3	578214000	(000000-	) Fitting, Plstc, E90, Bm04/Pm02	1
▲	4	579112	(000000-	) Fitting Spray Nozzle Adapter	1
▲	5	602036000	(000000-	) Rivet, Blind [S2500 Drvblock]	2
▲	6	578066000	(000000-	) Fitting, Brs, Tip [75, .125k-Jet]	1
▲	7	65610	(000000-	) Brush, Power Wand, W/ Fastener, Pyp	1
▲	8	578063000	(000000-	) Head, Wand [17b/E]	1
▲	9	578078000	(000000-	) Retainer, Sqge, Wand [17b/E]	2
▲	10	578074000	(000000-	) Blade, Sqge, 300.8mml, Wand [17b/E, G]	2
▲	11	578124000	(000000-	) Bracket, Axle, 1 Hole [17b/E]	1
▲	12	578439	(000000-	) Nut, Thumb, M6 X 1.0, 30d	1
▲	13	613732	(000000-	) Spring, Cmpr, 15mm [Conical]	1
▲	14	578143000	(000000-	) Screw, Set, M6 X 1.00 X 40, Ss [Cuppt]	1
▲	15	578126000	(000000-	) Axle, Wand [17b/E]	1
▲	16	578125000	(000000-	) Wheel, 41.3d 19.1w, Rbr	2
▲	17	578123000	(000000-	) Bracket, Axle, 3 Hole [17b/E]	1
▲	18	578155000	(000000-	) Handle Wldt, Wand	1
▲	19	578154000	(000000-	) Bracket, Wand, Handle	1
▲	20	578091000	(000000-	) Fitting, Brs, Qdc, Pm04, Plug	1
▲	21	578164000	(000000-	) Grommet, 0.38id, F/0.6h, .06 Matl	1
▲	22	578821000	(000000-	) Hose, Pyu, 0.25id 0.38od 1220mml, Blk	1
▲	23	578161000	(000000-	) Clamp, Hose, Ear, 8-11mm, Ss	2
▲	24	578094000	(000000-	) Fitting, Nyl, Str, Bm04/Pm04	1
▲	25	578064000	(000000-	) Valve, Cntrl, Water	1
▲	26	150208	(000000-	) Fitting, Brs, Str, Pm02, Plug [Skhd]	1
▲	27	578060000	(000000-	) Wand, Dbl Bend, 38.1mmd	1
	28	65582	(000000-	) Brush, Power Wand, W/ Fastener, Abr	1

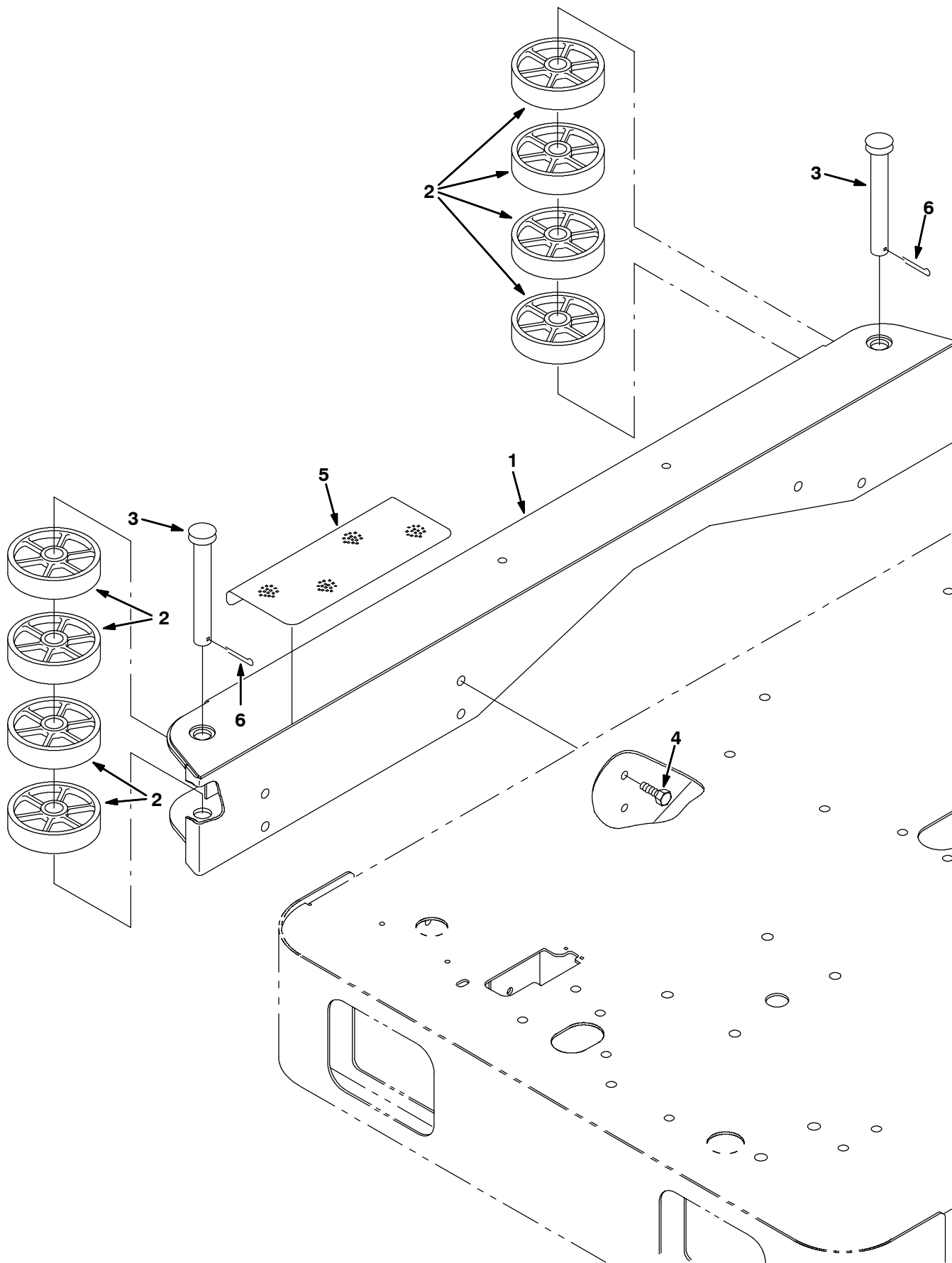
Fig. 21 - Vacuum Wand Kit



**Fig. 21 - Vacuum Wand Kit**

	<b>Ref.</b>	<b>Part No.</b>	<b>Serial Number</b>	<b>Description</b>	<b>Qty.</b>
▽		222349	(000000-	) Wand Kit, Vacuum [5700/7200]	1
▲	1	05579	(000000-	) Tube, Wand, Vacuum, 1.3d 19.4l	2
▲	2	05594	(000000-	) Hose Assy, W/2cuff, 1.5d 089l 1.5/1.5	1
▲	3	05584	(000000-	) Tube, Wand, Vacuum, 1.3d	1
▲	4	374077	(000000-	) Nozzle, Wand, Vacuum	1
▲	5	65580	(000000-	) Bag, Power	1
▲	6	72968	(000000-	) Rivet, Plstc, .250d X 0.90	4

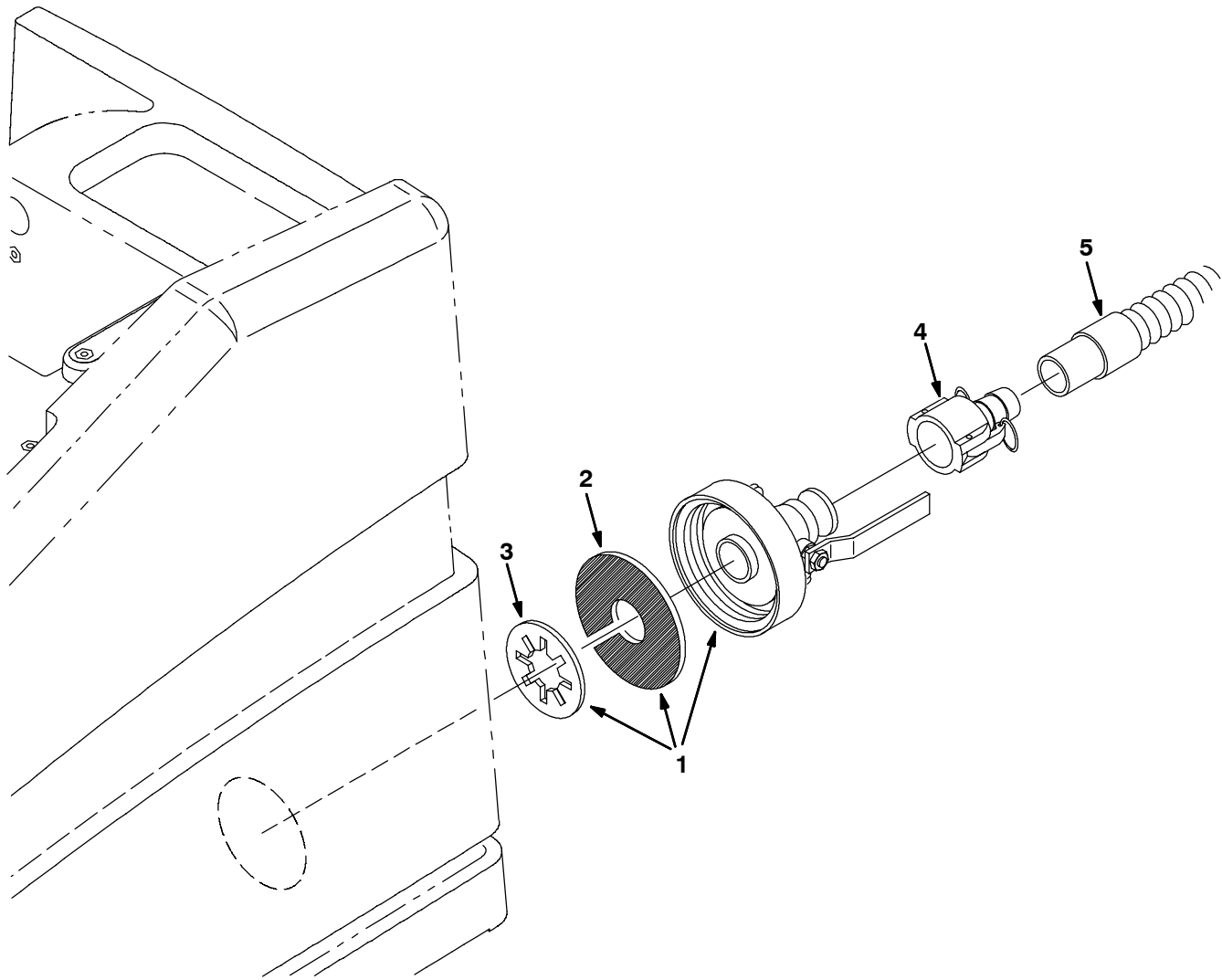
Fig. 22 - Side Roller Bumper Kit



**Fig. 22 - Side Roller Bumper Kit**

	<b>Ref.</b>	<b>Part No.</b>	<b>Serial Number</b>	<b>Description</b>	<b>Qty.</b>
▽		223578	(000000-	) Bumper Kit, Rlr, Side, Ci [7200]	1
▲	1	385603	(000000-	) Bumper Wldt, Battery, R/O	1
▲	2	364085	(000000-	) Wheel, 04.0d 0.98w 0.78b	8
▲	3	54660	(000000-	) Pin, Clevis, 0.75d X 5.50l	2
▲	4	09010	(000000-	) Screw, Hex, M8 X 1.25 X 25, Ss	7
▲	5	223350	(000000-	) Tread, Non-Skid, 04.5w 10.0l	1
▲	6	08181	(000000-	) Pin, Cotter, .094 X 1.50	2

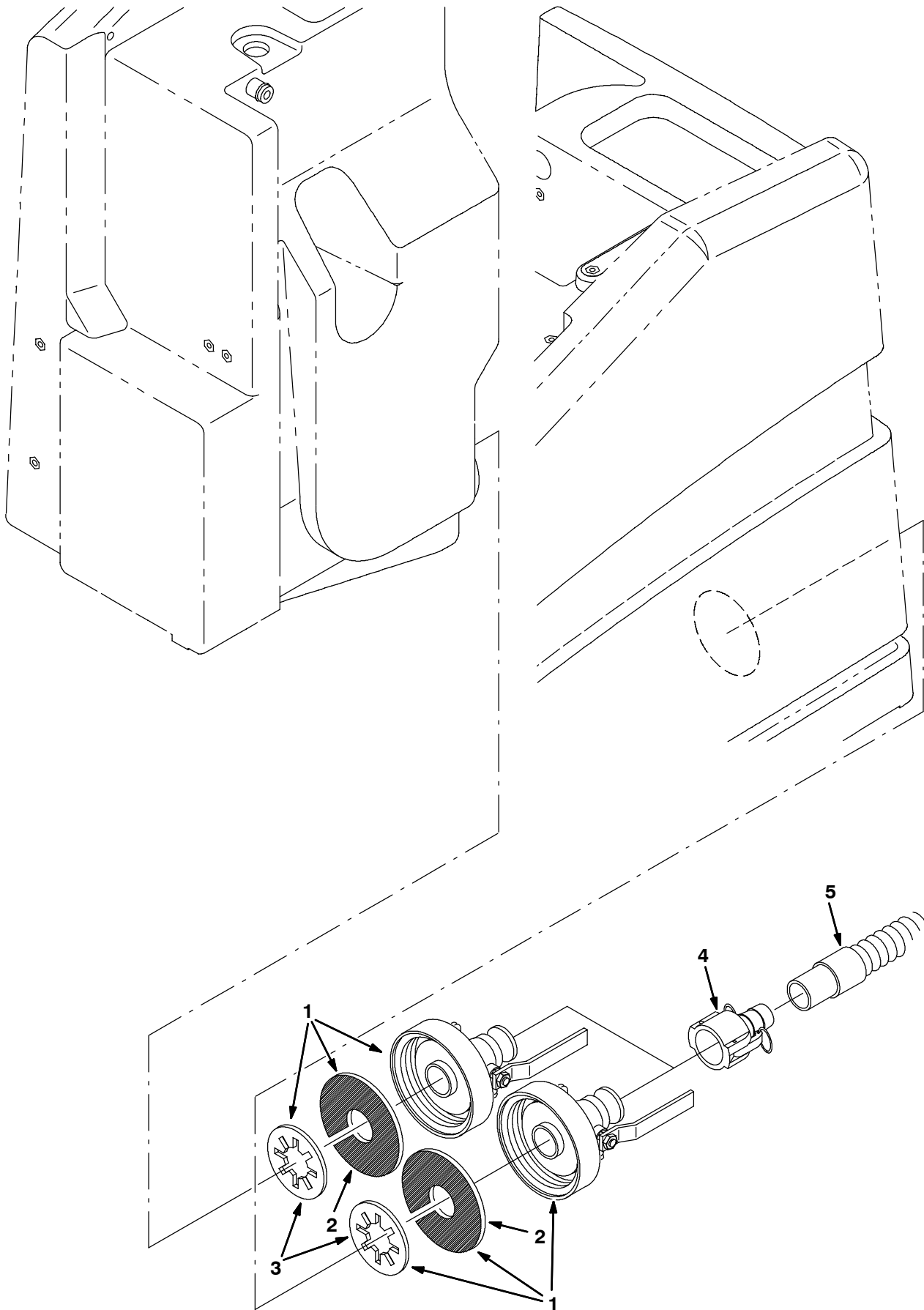
**Fig. 23 - Positive Solution Control Drain Kit, Std**



**Fig. 23 - Positive Solution Control Drain Kit, Std**

	<b>Ref.</b>	<b>Part No.</b>	<b>Serial Number</b>	<b>Description</b>	<b>Qty.</b>
▽		25778	(000000-	) Drain Kit, Soltn, Std [Posi Cntrl]	1
▲▽	1	25783	(000000-	) Cap Assy, Soltn, W/ Valve [Posi Cntrl]	1
▲▲		23456	(000000-	) Cap, Tank, Drain, 6.17 Thread Pye	1
▲▲		375014	(000000-	) Handle Kit, Valve	1
▲▲	2	1031700	(000000-	) Gasket, 2.00id 5.38od .19 [Buna]	1
▲▲	3	20932	(000000-	) Washer, Flat, 1.91b 4.38d .13, Pye	1
▲	4	48734	(000000-	) Fitting, Coupler, Hose, Shank, Fem	1
▲	5	75635	(000000-	) Hose Assy, W/1cuff, 1.5d 120l 1.5/	1

Fig. 24 - Positive Solution Control Drain Kit, ES

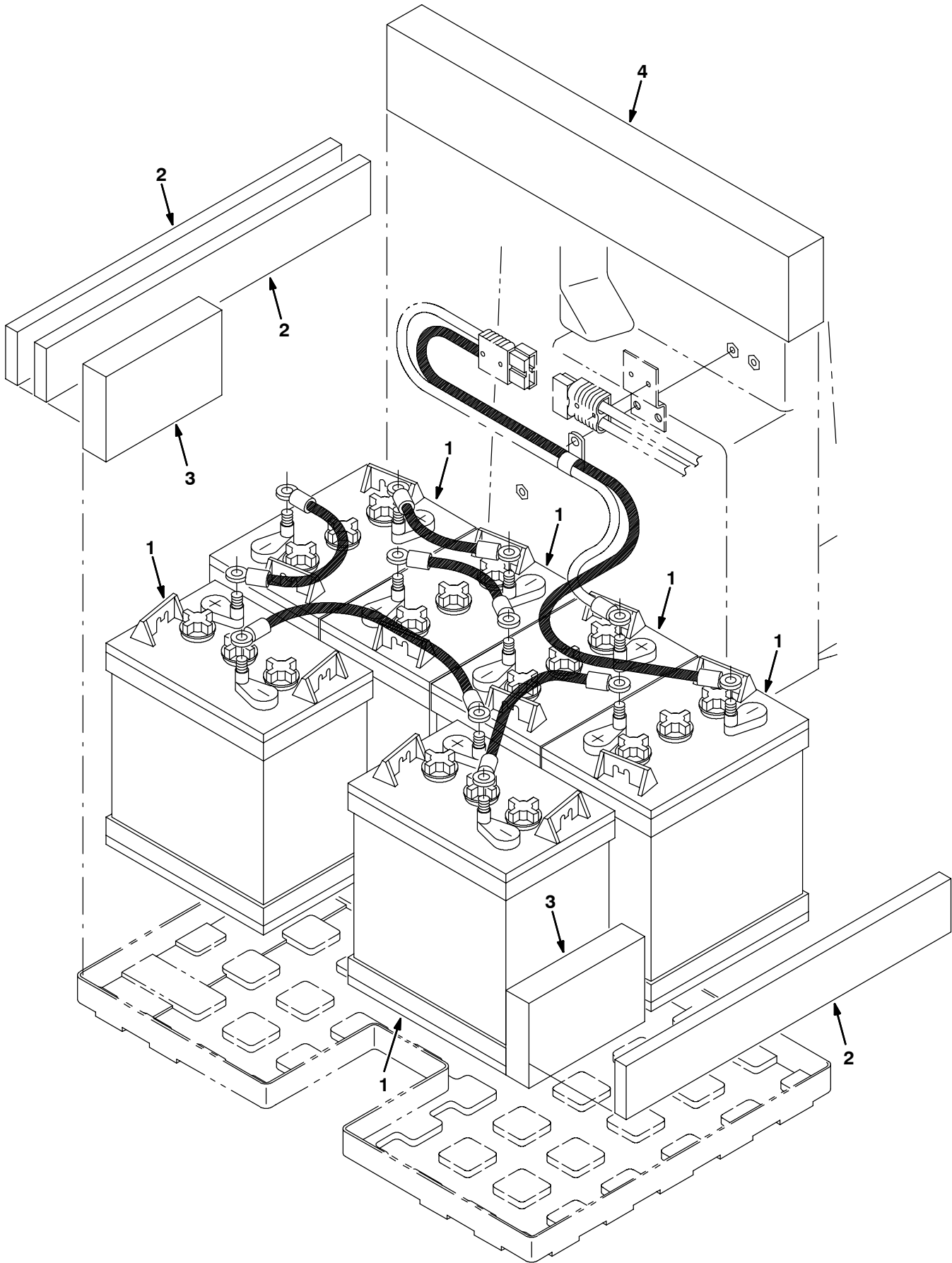




**Fig. 24 - Positive Solution Control Drain Kit, ES**

	<b>Ref.</b>	<b>Part No.</b>	<b>Serial Number</b>	<b>Description</b>	<b>Qty.</b>
▽		25781	(000000-	) Drain Kit, Posi Cntrl / Dual, Ci	1
▲▽	1	25783	(000000-	) Cap Assy, Soltn, W/ Valve [Posi Cntrl]	2
▲▲		23456	(000000-	) Cap, Tank, Drain, 6.17 Thread Pye	1
▲▲		375014	(000000-	) Handle Kit, Valve	1
▲▲	2	1031700	(000000-	) Gasket, 2.00id 5.38od .19 [Buna]	1
▲▲	3	20932	(000000-	) Washer, Flat, 1.91b 4.38d .13, Pye	1
▲	4	48734	(000000-	) Fitting, Coupler, Hose, Shank, Fem	1
▲	5	75635	(000000-	) Hose Assy, W/1cuff, 1.5d 120l 1.5/	1

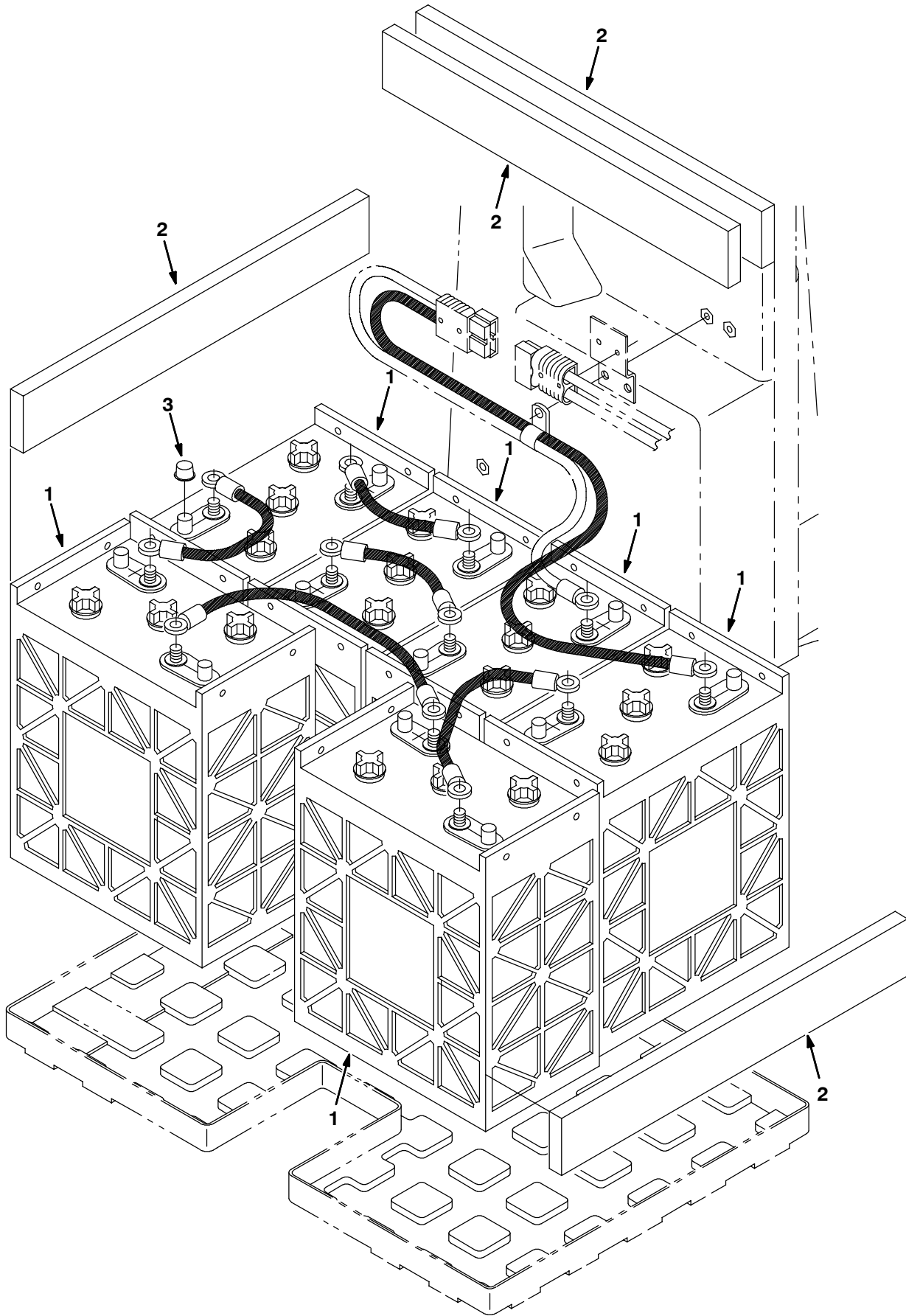
Fig. 25 - Battery Kit, Wet, 235AH



**Fig. 25 - Battery Kit, Wet, 235AH**

	<b>Ref.</b>	<b>Part No.</b>	<b>Serial Number</b>	<b>Description</b>	<b>Qty.</b>
▽		223373	(000000-	) Battery Kit, Wet, 6-06vdc 0235ah, Ci	1
▲	1	222280	(000000-	) Battery, Wet, 06vdc 0235ah	6
▲	2	222473	(000000-	) Spacer, Battery, 0.75 X 3.0 X 21.0	3
▲	3	223639	(000000-	) Spacer, Battery, 1.50 X 4.8 X 07.5	2
▲	4	223638	(000000-	) Spacer, Battery, 2.25 X 4.8 X 26.0	1

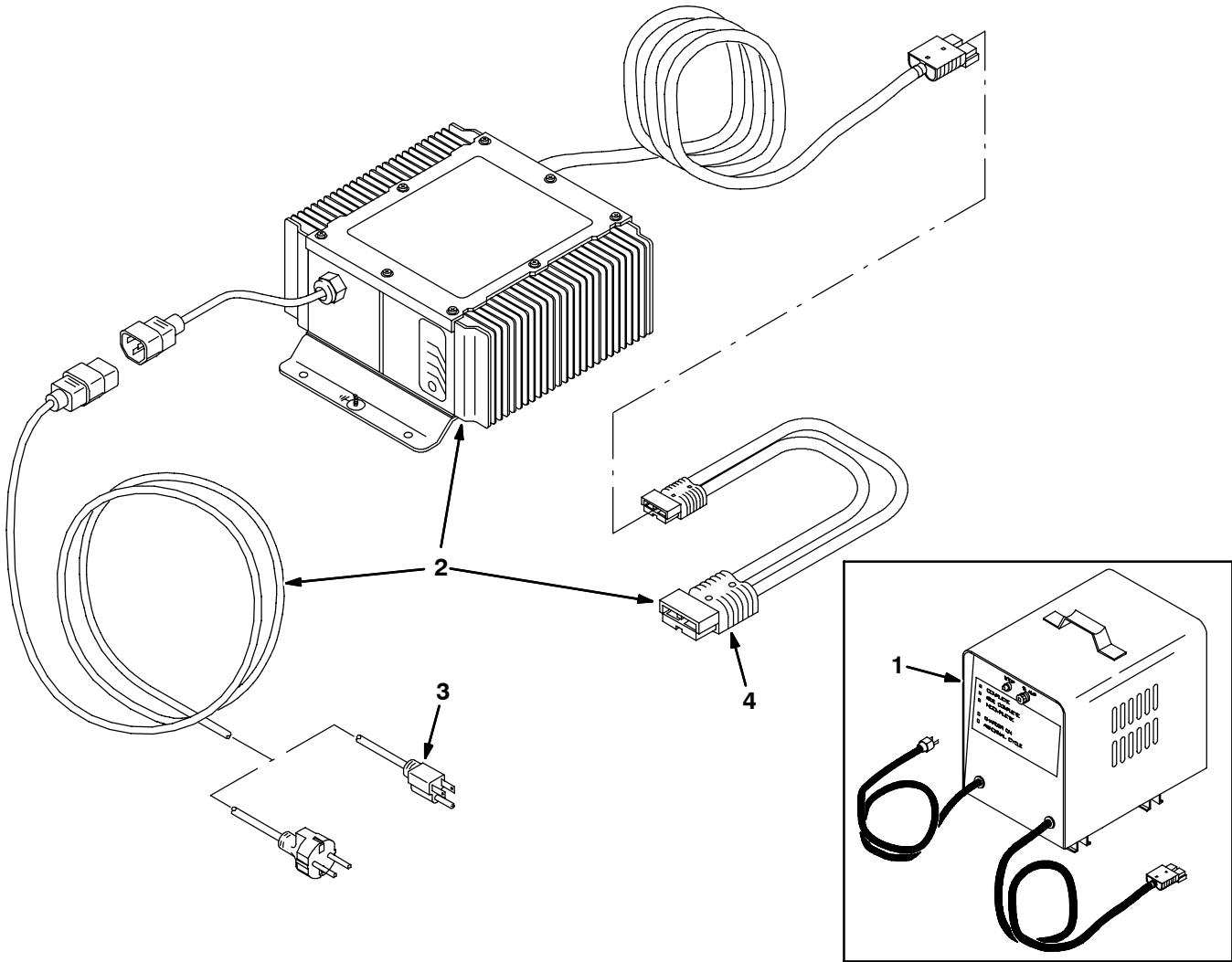
Fig. 26 - Heavy Duty Battery Kit, Wet, 335AH



**Fig. 26 - Heavy Duty Battery Kit, Wet, 335AH**

	<b>Ref.</b>	<b>Part No.</b>	<b>Serial Number</b>	<b>Description</b>	<b>Qty.</b>
▽		223377	(000000-	) Battery Kit, Wet, 36vdc 0335ah, Ci	1
▲	1	222846	(000000-	) Battery, Wet, 06vdc 0335ah	6
▲	2	222473	(000000-	) Spacer, Battery, 0.75 X 3.0 X 21.0	4
▲	3	223641	(000000-	) Cap, Battery	6

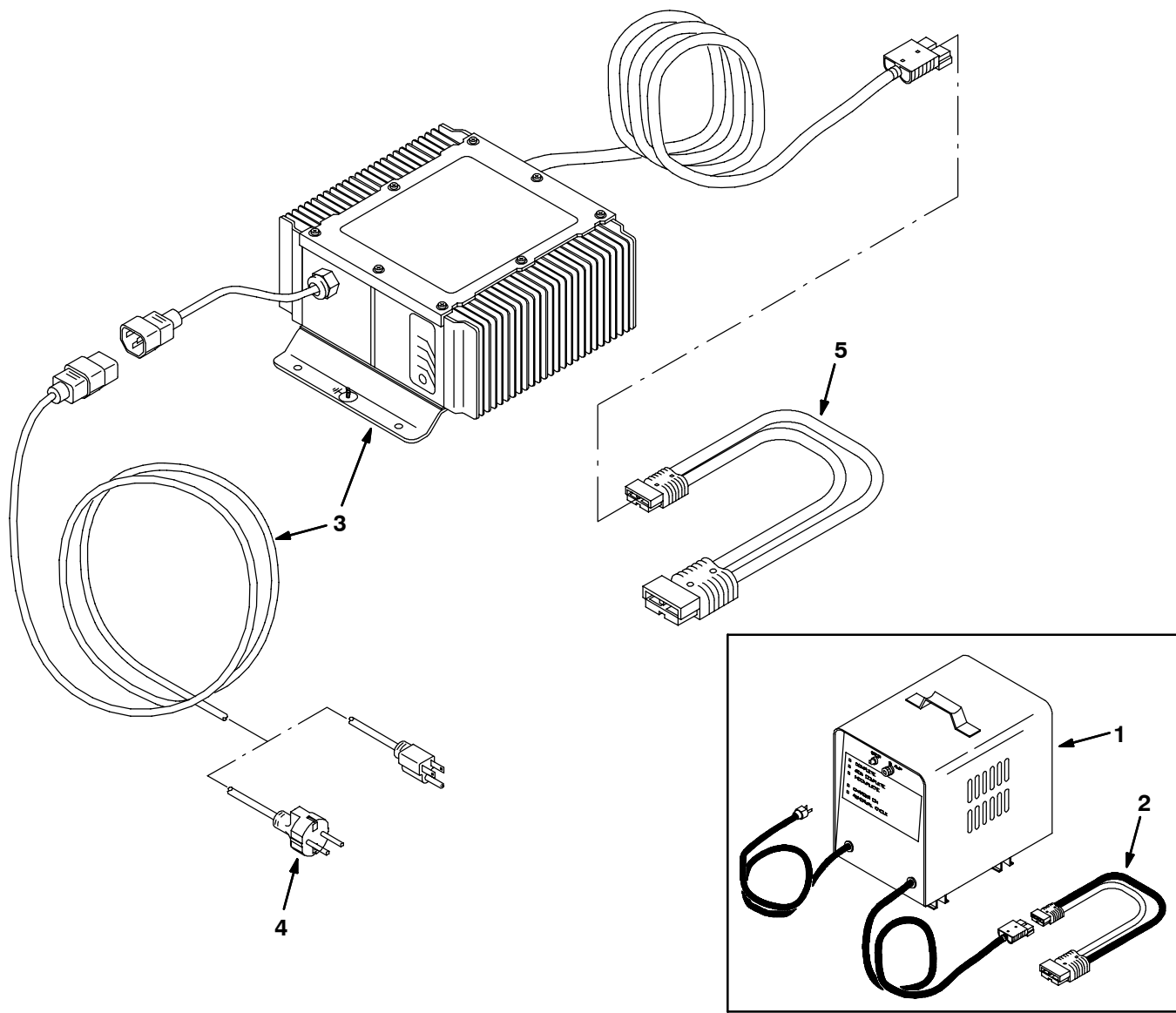
**Fig. 27 - Battery Charger Group**



08080 - NA

Ref.	Part No.	Serial Number	Description	Qty.
1	223681	(000000- xxxxxx )	Charger, 36vdc 20a 120vac 1ph 60hz (See Breakdowns)	1
1	223683	(000000- xxxxxx )	Charger, 36vdc 30a 120vac 1ph 60hz (See Breakdowns)	1
▽	2	9001056	( xxxxxx- ) Charger Kit, 36vdc, Ci [Domestic/Export]	1
▲	3	1017079	( xxxxxx- ) Cord, Extn, 16ga /3, 010ft [Sjt]	1
▲	4	223679	( xxxxxx- ) Cable Assy, 06ga Red / Blk, 050a /175a	1

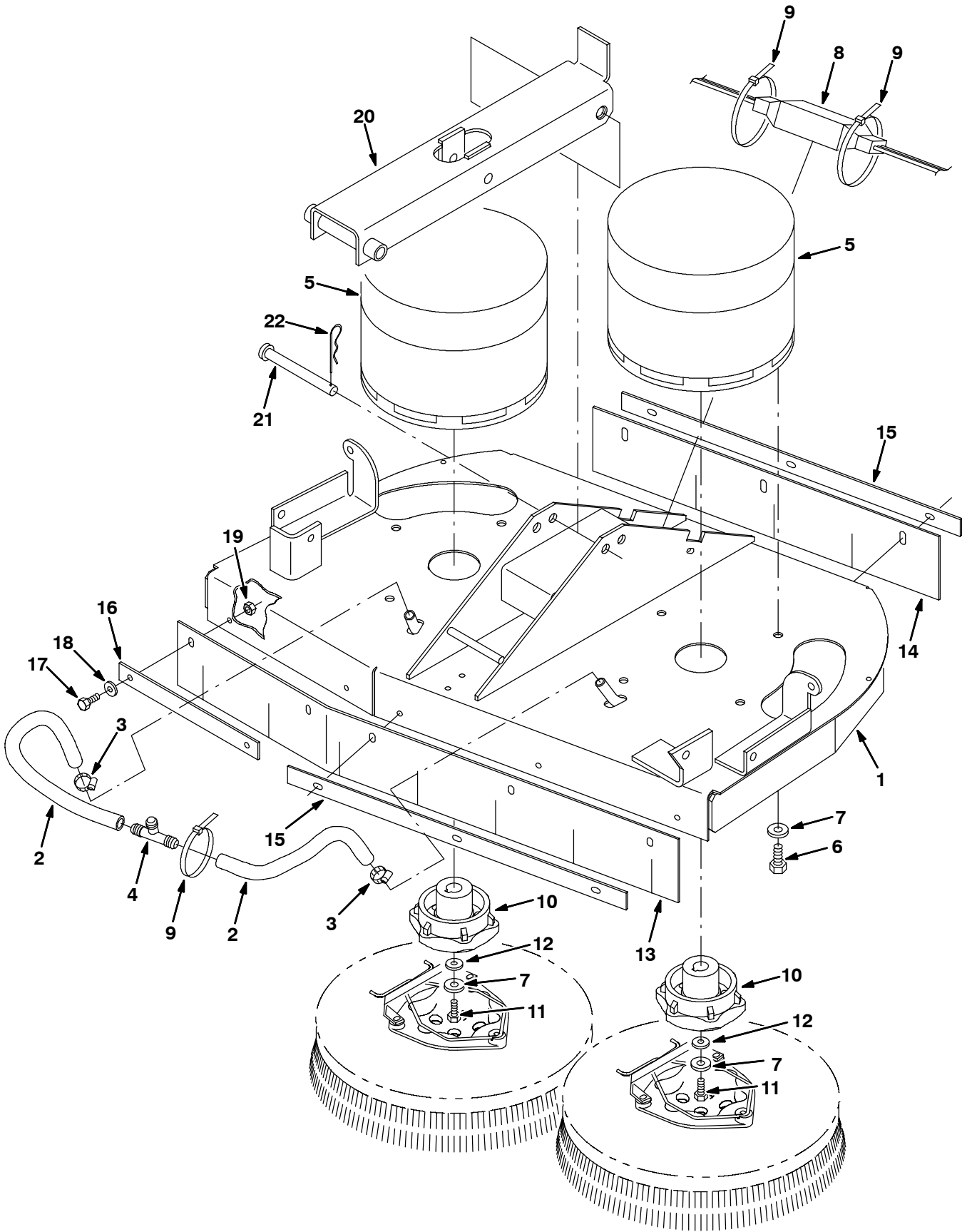
Fig. 28 - Battery Charger and Harness Group, International Only



354367, 350771 - NA

Ref.	Part No.	Serial Number	Description	Qty.
▽	223685	(000000- xxxxxx )	Charger Kit, 36vdc 020a 230vac, Ci	1
▲	1 65540	(000000- xxxxxx )	Charger, 36vdc 20a 230vac 1ph 50hz (See Breakdowns)	1
▲	2 223679	(000000- xxxxxx )	Cable Assy, 06ga Red / Blk, 050a /175a	1
▽	223687	(000000- xxxxxx )	Charger Kit, 36vdc 020a 245vac, Ci	1
▲	1 65740	(000000- xxxxxx )	Charger, 36vdc 20a 245vac 1ph 50hz (See Breakdowns)	1
▲	2 223679	(000000- xxxxxx )	Cable Assy, 06ga Red / Blk, 050a /175a	1
▽	223689	(000000- xxxxxx )	Charger Kit, 36vdc 030a 230vac, Ci	1
▲	1 222595	(000000- xxxxxx )	Charger, 36vdc 30a 230vac 1ph 50hz (See Breakdowns)	1
▲	2 223679	(000000- xxxxxx )	Cable Assy, 06ga Red / Blk, 050a /175a	1
▽	223691	(000000- xxxxxx )	Charger Kit, 36vdc 030a 245vac, Ci	1
▲	1 222691	(000000- xxxxxx )	Charger, 36vdc 30a 245vac 1ph 50hz (See Breakdowns)	1
▲	2 223679	(000000- xxxxxx )	Cable Assy, 06ga Red / Blk, 050a /175a	1
▽	3 9001061	( xxxxxx- )	Charger Kit, 36vdc, Ci[Export/Euro/Asia]	1
▲	4 1019242	( xxxxxx- )	Cord, Chrgr, Ele [European]	1
▲	5 223679	( xxxxxx- )	Cable Assy, 06ga Red / Blk, 050a /175a	1

Fig. 29 - Disk Scrub Head Drive Motor Group, 700 mm (28 in)

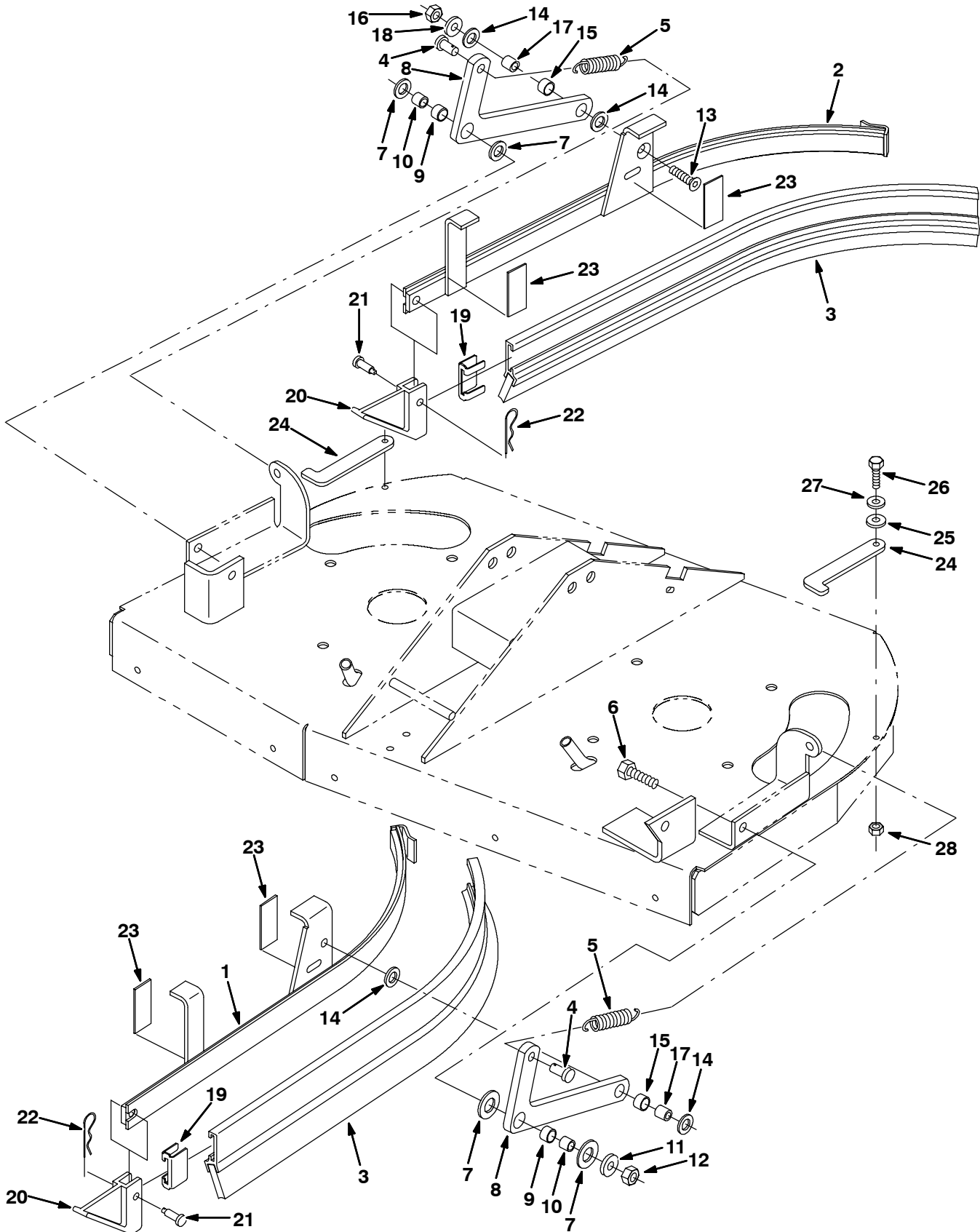




**Fig. 29 - Disk Scrub Head Drive Motor Group, 700 mm (28 in)**

<b>Ref.</b>	<b>Part No.</b>	<b>Serial Number</b>	<b>Description</b>	<b>Qty.</b>
1	223539	(000000-008237 )	Head Wldt, Disk, 28inch Scrbr	1
2	223516	(000000-008237 )	Hose, Pvc, Brd, 0.50id 0.73od 009.6l,Clr	2
3	54333	(000000-008237 )	Clamp, Hose, Wormdrive, 0.31-0.88d, .31w	2
4	63245-1	(000000-008237 )	Fitting, Plstc, Tee, Bm08/Bm08/Bm08	1
5	223358	(000000-008237 )	Motor, Ele, 36vdc 0.80hp 0320rpm (See Breakdowns)	2
6	42384	(000000-008237 )	Screw, Hex, .38-16 X 0.62, Ss	8
7	01686	(000000-008237 )	Washer, Flat, 0.44b 1.00d .08, Ss	10
8	222836	(000000-008237 )	Shunt Assy, Disk Head, 40mv /35a	1
9	44961	(000000-008237 )	Tie, Cable, Nyl, 14.5l .30w 4.0 Max D	6
10	222506	(000000-008237 )	Hub, Drive, Brush, Disc, Repby 377364	2
11	32124	(000000-008237 )	Screw, Hex, .31-18 X 1.00, Ss, NI	2
12	41186	(000000-008237 )	Washer, Flat, Belleville, .31	2
13	223618	(000000-008237 )	Skirt, Rbr, .12, 03.75w 30.25l, 05/ SI	1
14	223612	(000000-008237 )	Skirt, Rbr, .12, 03.75w 19.92l, 03/ SI	1
15	223623	(000000-008237 )	Strip, Retainer, Skirt, Front, Lh	2
16	223669	(000000-008237 )	Strip, Retainer, 0.12 01.00w 19.0l	1
17	15678	(000000-008237 )	Screw, Hex, M6 X 1.0 X 16, Ss	8
18	01684	(000000-008237 )	Washer, Flat, 0.27b 0.69d .05, Ss	8
19	08712	(000000-008237 )	Nut, Hex, Lock, M6 X 1.00, Ss, NI	8
20	223666	(000000-008237 )	Channel Wldt, Lift, Tool	1
21	59668	(000000-008237 )	Pin, Clevis, 0.50d X 4.50l	1
22	44906	(000000-008237 )	Pin, Cotter, Hair, 0.69d .092 Wir	1

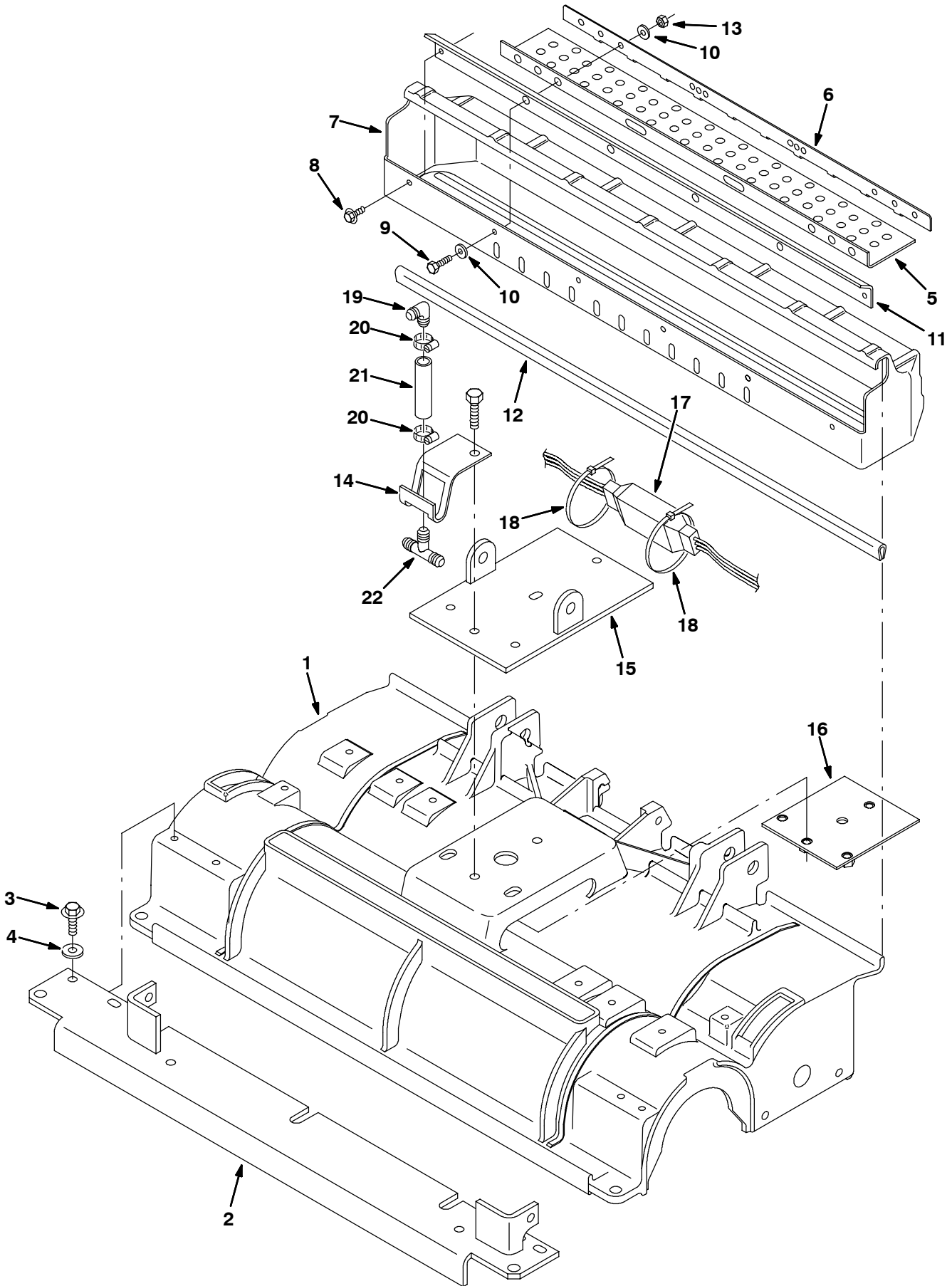
Fig. 30 - Disk Scrub Head Squeegee Group, 700 mm (28 in)



**Fig. 30 - Disk Scrub Head Squeegee Group, 700 mm (28 in)**

<b>Ref.</b>	<b>Part No.</b>	<b>Serial Number</b>	<b>Description</b>	<b>Qty.</b>
1	223637	(000000-008237 )	Bladeholder Wldt, Sqge, Disk, Lh	1
2	223489	(000000-008237 )	Bladeholder Wldt, Sqge, Disk, Rh	1
3	86859	(000000-008237 )	Squeegee Assy, Side [Linatex]	2
4	39019	(000000-008237 )	Pin, Clevis, 0.37d X 0.75l	2
5	15047	(000000-008237 )	Spring, Extn, 0.62od 0.08wir 03.0l	2
6	77347	(000000-008237 )	Screw, Hex, M10 X 1.5 X 35, Ss	2
7	64425	(000000-008237 )	Washer, Thrust, 0.61b 1.25d .06, Fgl	4
8	25709	(000000-008237 )	Bellcrank, Lift, Sqge	2
9	71607	(000000-008237 )	Bushing, Sleeve, 0.63b 0.72d 0.38l	2
10	71608	(000000-008237 )	Tube, 0.41id 0.62od 00.5l, Ss	2
11	01686	(000000-008237 )	Washer, Flat, 0.44b 1.00d .08, Ss	2
12	08714	(000000-008237 )	Nut, Hex, Lock, M10 X 1.5, NI, Ss	2
13	79506	(000000-008237 )	Screw, Flt, M8 X 1.25 X 30, Ss	2
14	86860	(000000-008237 )	Bearing, Thrust, 0.50b 0.87d 0.06w	4
15	64173	(000000-008237 )	Bushing, Sleeve, 0.50b 0.59d 0.38l, Stl	2
16	08713	(000000-008237 )	Nut, Hex, Lock, M8 X 1.25, NI, Ss	2
17	223609	(000000-008237 )	Sleeve, P/M, 0.31b 0.50d 0.5l [430ss]	2
18	01685	(000000-008237 )	Washer, Flat, 0.38b 0.88d .08, Ss	2
19	86759	(000000-008237 )	Retainer, Sqge	2
20	86865	(000000-008237 )	Guide, Sqge, Side	2
21	69582	(000000-008237 )	Pin, Clevis, 0.31d X 1.00l	2
22	44906	(000000-008237 )	Pin, Cotter, Hair, 0.69d .092 Wir	2
23	223672	(000000-008237 )	Tape, .0080, 1.0w, 2.5l [Protective]	4
24	369343	(000000-008237 )	Plate, Side, Sqge	2
25	16236	(000000-008237 )	Washer, Flat, 0.26b 0.72d .06, Nyl	2
26	08716	(000000-008237 )	Screw, Hex, M6 X 1.0 X 20, Ss	2
27	01684	(000000-008237 )	Washer, Flat, 0.27b 0.69d .05, Ss	2
28	08712	(000000-008237 )	Nut, Hex, Lock, M6 X 1.00, Ss, NI	2

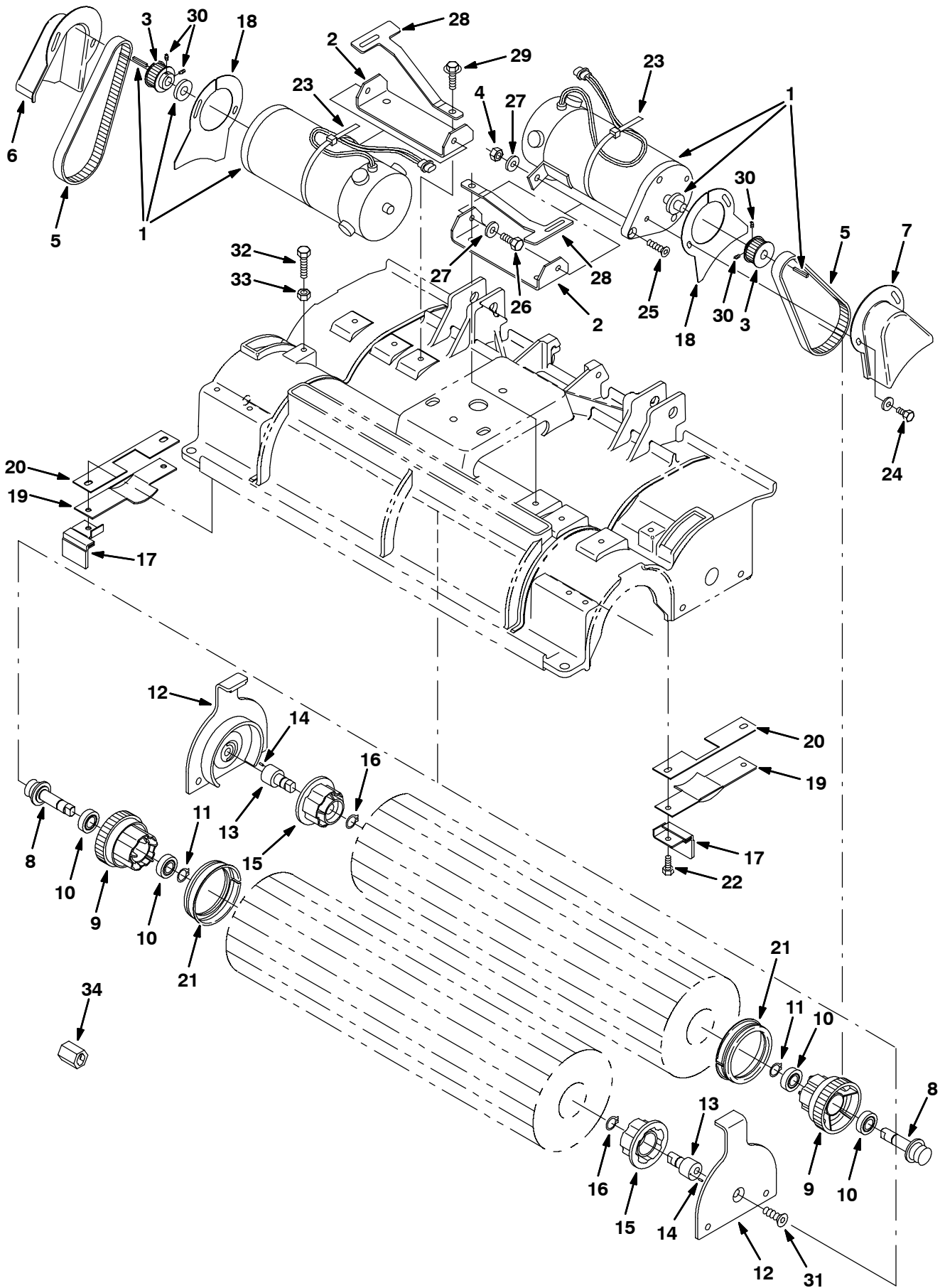
Fig. 31 - Cylindrical Scrub Head Frame Group, 700 mm (28 in)



**Fig. 31 - Cylindrical Scrub Head Frame Group, 700 mm (28 in)**

Ref.	Part No.	Serial Number	Description	Qty.
1	1022254	(000000-008237 )	Housing, Cyl, Mach, 700mm	1
2	223670	(000000-008237 )	Angle Wldt, Mtg	1
3	76099	(000000-008237 )	Screw, Hex, M8 X 1.25 X 25, Fmg	4
4	01685	(000000-008237 )	Washer, Flat, 0.38b 0.88d .08, Ss	4
▽	222824	(000000-008237 )	Tray Kit, Debris, 28.0, Ci	1
▲	5	222669	(000000-008237 ) Skirt, Rbr, .12, 03.50w 22.00l, 102/ H&S	1
▲	6	222670	(000000-008237 ) Strip, Tray, Debris	1
▲	7	222167	(000000-008237 ) Tray, Debris, 28.0l	1
▲	8	74455	(000000-008237 ) Screw, Hex, M6 X 1.0 X 12, Fmg	2
▲	9	09007	(000000-008237 ) Screw, Hex, M6 X 1.0 X 25, Ss	4
▲	10	01684	(000000-008237 ) Washer, Flat, 0.27b 0.69d .05, Ss	8
▲	11	222203	(000000-008237 ) Lip, Tray, Debris, 28.0inch	1
▲	12	374006	(000000-008237 ) Channel, Nyl, 0.5h 0.27w 29.0l	1
▲	13	08712	(000000-008237 ) Nut, Hex, Lock, M6 X 1.00, Ss, NI	4
14	222523	(000000-008237 )	Bracket, Guide, Hose	1
15	223442	(000000-008237 )	Plate Wldt, Mtg, Tool	1
16	223412	(000000-008237 )	Plate, Mtg, Tool Lift	1
17	222835	(000000-008237 )	Shunt Assy, Cyl Head, 40mv /35a	1
18	49263	(000000-008237 )	Tie, Cable, Nyl, 11.4l .19w 3.0 Max D	2
19	63987-1	(000000-008237 )	Fitting, Plstc, E90, Bm08/Bm08	1
20	54333	(000000-008237 )	Clamp, Hose, Wormdrive, 0.31-0.88d, .31w	2
21	05711	(000000-008237 )	Hose, Pvc, Clr, 0.50id 0.69od 003.1l	1
22	63245-1	(000000-008237 )	Fitting, Plstc, Tee, Bm08/Bm08/Bm08	1

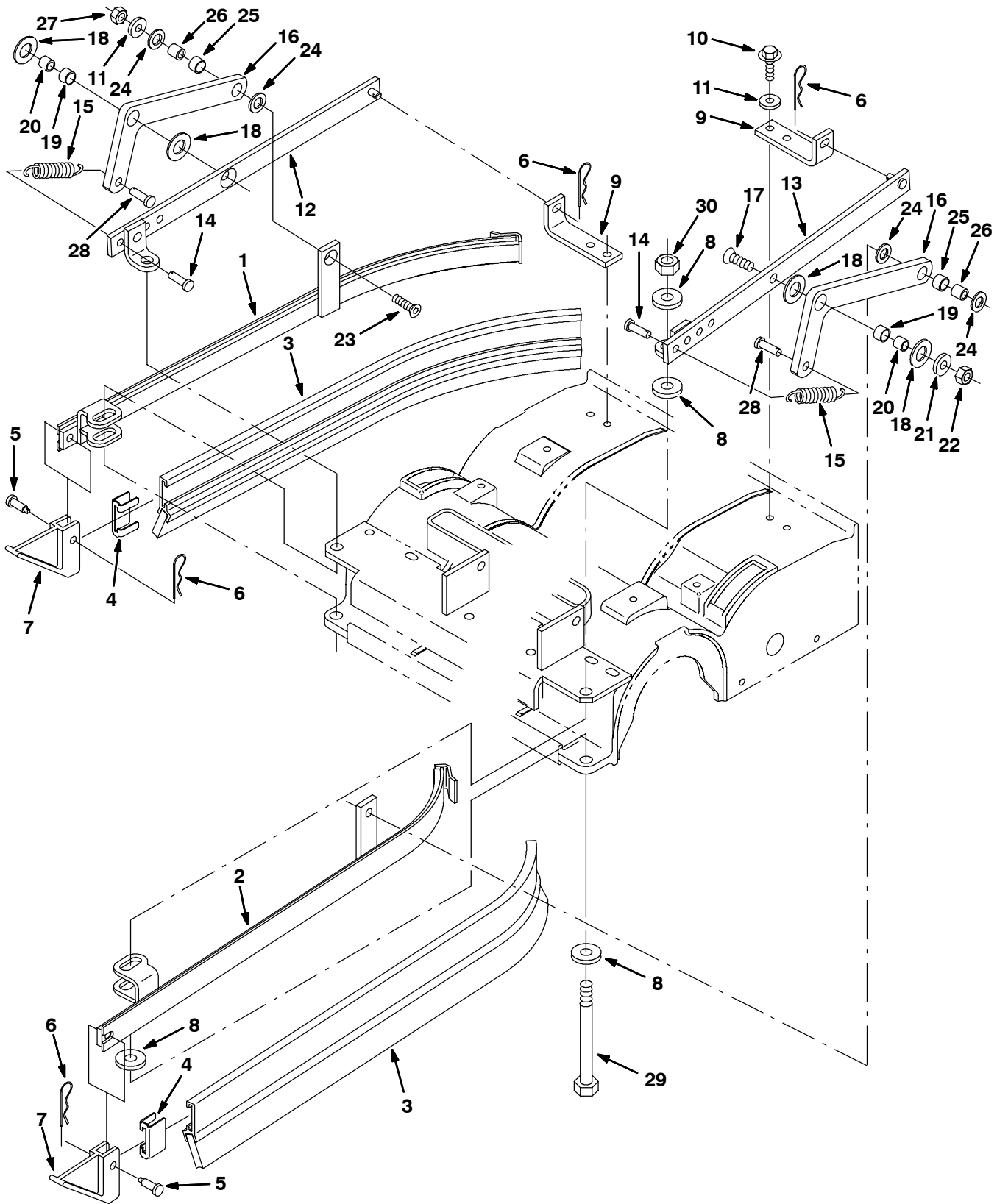
**Fig. 32 - Cylindrical Scrub Head Drive Motor Group, 700 mm (28 in)**



**Fig. 32 - Cylindrical Scrub Head Drive Motor Group, 700 mm (28 in)**

Ref.	Part No.	Serial Number	Description	Qty.	
1	222753	(000000-007861 )	Motor Ele, 36vdc, 0.75hp, Rep.By374175 (See Breakdowns)	2	
1	374175	(007862-008237 )	Motor, Ele, 36vdc 1700rpm 0.75hp (See Breakdowns)	2	
2	223564	(000000-008237 )	Bracket, Mtg, Motor	2	
3	375195	(000000-008237 )	Sprocket, Timing, 22tooth, 0.50b, [Gt/2]	2	
4	08713	(000000-008237 )	Nut, Hex, Lock, M8 X 1.25, NI, Ss	4	
5	222201	(000000-008237 )	Belt, Synchronous, 15mm 05p 500l [Gt2 K]	2	
6	223560	(000000-008237 )	Guard, Belt, Rh [5700]	1	
7	223561	(000000-008237 )	Guard, Belt, Lh	1	
▽	222751	(000000-008237 )	Plug Assy, Drive, Brush, [48 Tooth-Gt/2]	2	
▲	8	222176	(000000-008237 )	Shaft, Drive, Plug	1
▲	9	222062	(000000-008237 )	Plug, Drive, Brush Rep.By377333	1
▲	10	41360	(000000-008237 )	Bearing, Ball, 0.59b 1.26d 0.35w[2seal]	2
▲	11	01516	(000000-008237 )	Ring, Retaining, Ext, 0.59d, Basic	1
12	369460	(000000-008237 )	Door, Brush	2	
▽	222752	(000000-008237 )	Plug Assy, Idler, Brush	2	
▲	13	222177	(000000-008237 )	Shaft, Plug, Idler	1
▲	14	222184	(000000-008237 )	Pin, Roll, .094d X 0.25l, .094/.097	1
▲	15	379202	(000000-008237 )	Plug, Idler, Brush [Sgl Brg]	1
▲	16	01516	(000000-008237 )	Ring, Retaining, Ext, 0.59d, Basic	1
17	223568	(000000-008237 )	Deflector, Water	2	
18	223563	(000000-008237 )	Guard, Belt, Drive, Head, Scrbr, Lh	2	
19	223566	(000000-008237 )	Bracket, Shield	2	
20	223569	(000000-008237 )	Gasket, Shield	2	
21	222820	(000000-008237 )	Seal, Ring	2	
22	15678	(000000-008237 )	Screw, Hex, M6 X 1.0 X 16, Ss	4	
23	44961	(000000-008237 )	Tie, Cable, Nyl, 14.5l .30w 4.0 Max D	2	
24	01684	(000000-008237 )	Washer, Flat, 0.27b 0.69d .05, Ss	4	
25	74077	(000000-008237 )	Screw, Flt, M8 X 1.25 X 25	2	
26	09740	(000000-008237 )	Screw, Hex, M8 X 1.25 X 20, Ss	2	
27	01685	(000000-008237 )	Washer, Flat, 0.38b 0.88d .08, Ss	6	
28	222209	(000000-008237 )	Spring, Flat, Door, Scrbr Head	2	
29	76099	(000000-008237 )	Screw, Hex, M8 X 1.25 X 25, Fmg	4	
30	222818	(000000-008237 )	Screw, Set, #08-32 X 0.25, NI	4	
31	390996	(000000-008237 )	Screw, Flt, M10 X 1.5 X 20, 10.9, NI	2	
32	09023	(000000-008237 )	Screw, Hex, M8 X 1.25 X 35, Ss, Fl	2	
33	08713	(000000-008237 )	Nut, Hex, Lock, M8 X 1.25, NI, Ss	2	
34	1010506	(000000-008237 )	Tool, Removal, Shaft, F/222176	1	

**Fig. 33 - Cylindrical Scrub Head Squeegee Group, 700 mm (28 in)**

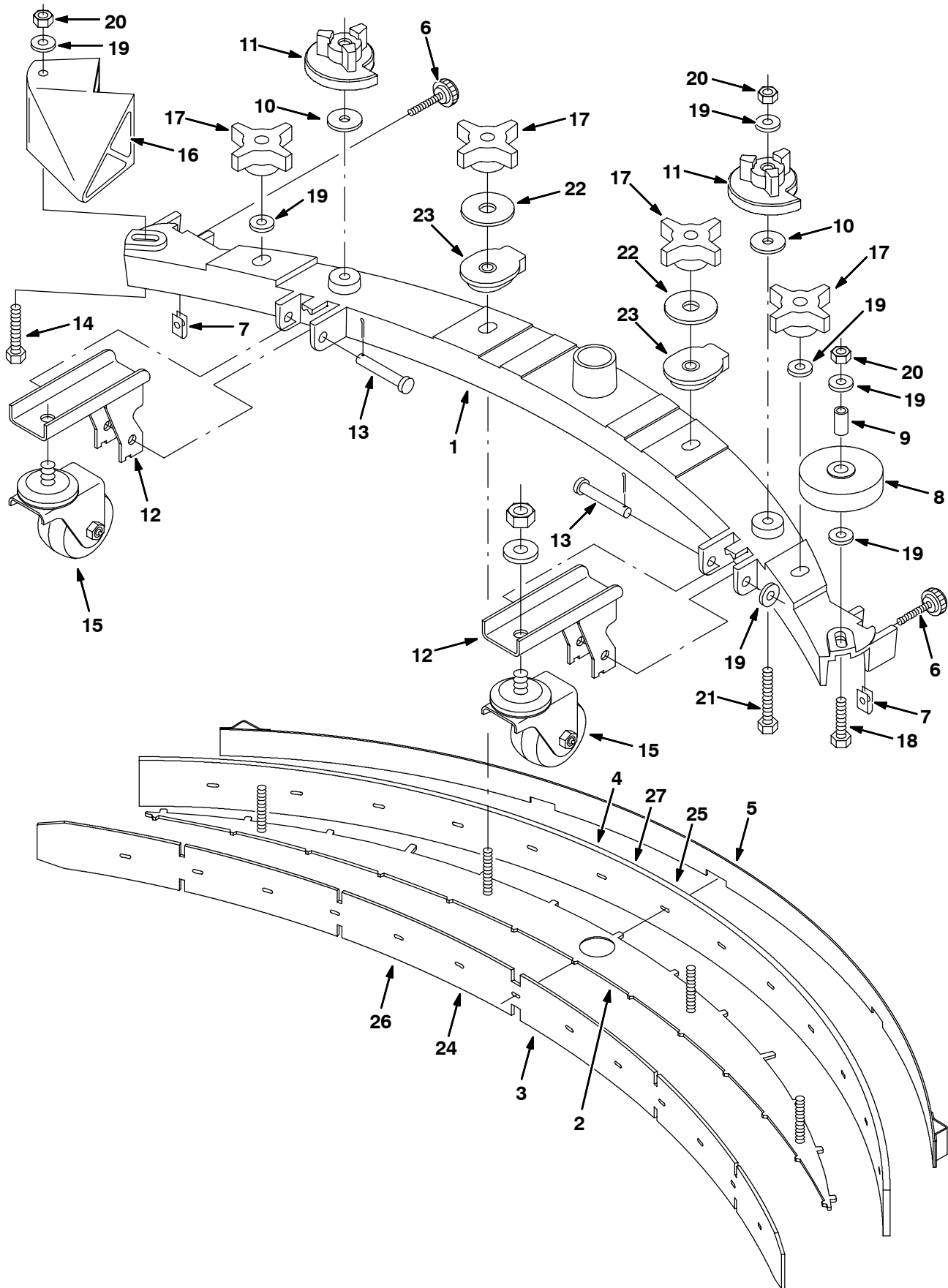




**Fig. 33 - Cylindrical Scrub Head Squeegee Group, 700 mm (28 in)**

<b>Ref.</b>	<b>Part No.</b>	<b>Serial Number</b>	<b>Description</b>	<b>Qty.</b>
1	223413	(000000-008237 )	Frame Wldt, Sqge, Rh, Cyl	1
2	223304	(000000-008237 )	Frame Wldt, Sqge, Lh, Cyl	1
3	86859	(000000-008237 )	Squeegee Assy, Side [Linatex]	2
4	86759	(000000-008237 )	Retainer, Sqge	2
5	69582	(000000-008237 )	Pin, Clevis, 0.31d X 1.00l	2
6	44906	(000000-008237 )	Pin, Cotter, Hair, 0.69d .092 Wir	4
7	86865	(000000-008237 )	Guide, Sqge, Side	2
8	41619	(000000-008237 )	Washer, Flat, 0.56b 1.38d .11, Ss	8
9	223293	(000000-008237 )	Bracket, Angle, Mtg, Sqge	2
10	76099	(000000-008237 )	Screw, Hex, M8 X 1.25 X 25, Fmg	4
11	01685	(000000-008237 )	Washer, Flat, 0.38b 0.88d .08, Ss	6
12	223589	(000000-008237 )	Bar Wldt, Mtg, Sqge, Rh	1
13	223654	(000000-008237 )	Bar Wldt, Mtg, Sqge, Lh	1
14	69582	(000000-008237 )	Pin, Clevis, 0.31d X 1.00l	2
15	15047	(000000-008237 )	Spring, Extn, 0.62od 0.08wir 03.0l	2
16	25709	(000000-008237 )	Bellcrank, Lift, Sqge	2
17	360347	(000000-008237 )	Screw, Flt, M10 X 1.5 X 25, Ss	2
18	64425	(000000-008237 )	Washer, Thrust, 0.61b 1.25d .06, Fgl	4
19	71607	(000000-008237 )	Bushing, Sleeve, 0.63b 0.72d 0.38l	2
20	71608	(000000-008237 )	Tube, 0.41id 0.62od 00.5l, Ss	2
21	01686	(000000-008237 )	Washer, Flat, 0.44b 1.00d .08, Ss	2
22	08714	(000000-008237 )	Nut, Hex, Lock, M10 X 1.5, NI, Ss	2
23	74077	(000000-008237 )	Screw, Flt, M8 X 1.25 X 25	2
24	86860	(000000-008237 )	Bearing, Thrust, 0.50b 0.87d 0.06w	2
25	64173	(000000-008237 )	Bushing, Sleeve, 0.50b 0.59d 0.38l, Stl	2
26	223609	(000000-008237 )	Sleeve, P/M, 0.31b 0.50d 0.5l [430ss]	2
27	08713	(000000-008237 )	Nut, Hex, Lock, M8 X 1.25, NI, Ss	2
28	39019	(000000-008237 )	Pin, Clevis, 0.37d X 0.75l	2
29	19588	(000000-008237 )	Screw, Hex, .50-13 X 5.00, G5	2
30	02931	(000000-008237 )	Nut, Hex, Lock, .50-13, NI, Ss	2

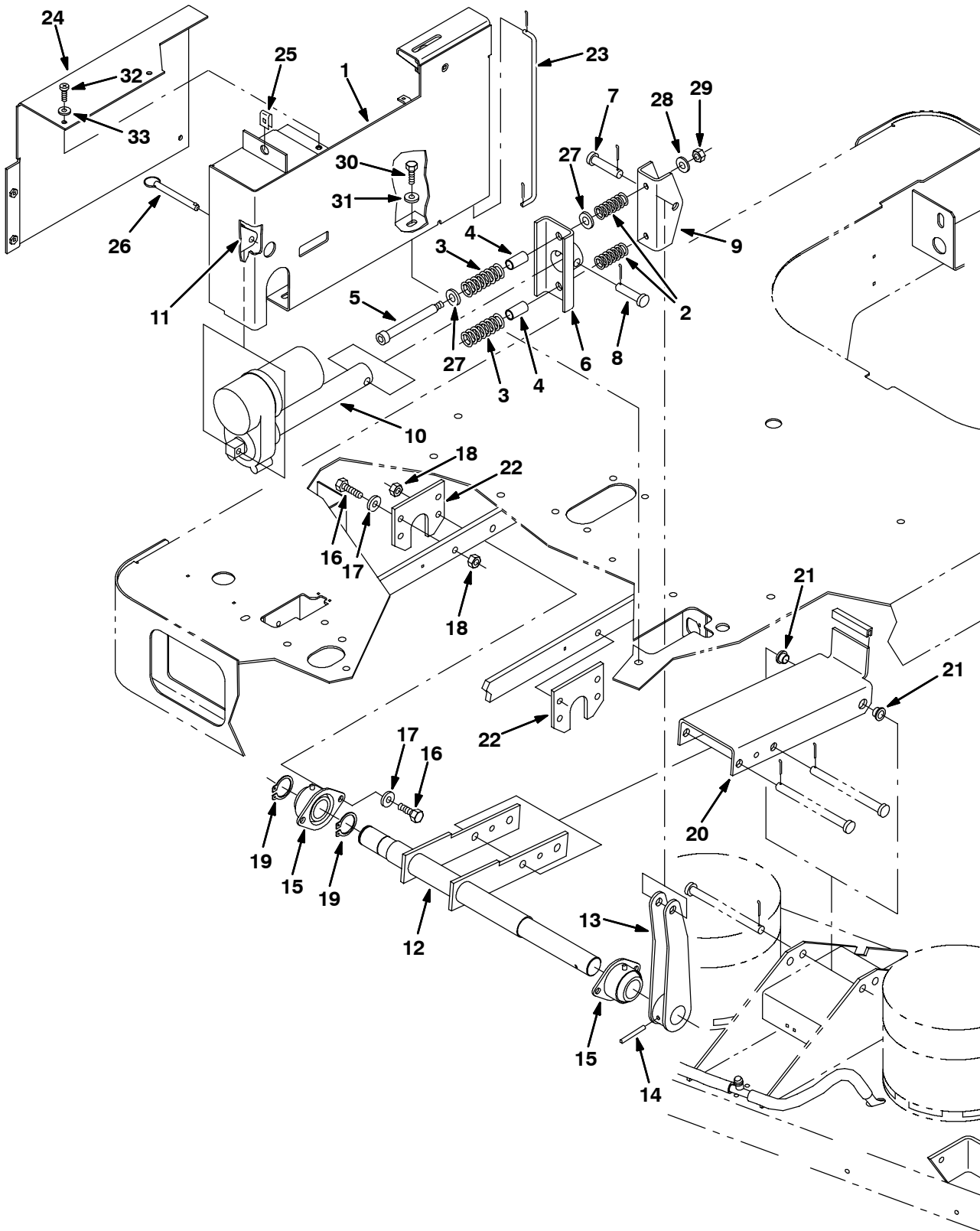
Fig. 34 - Rear Squeegee Group, 700 mm (28 in)



**Fig. 34 - Rear Squeegee Group, 700 mm (28 in)**

Ref.	Part No.	Serial Number	Description	Qty.
▽	389867	(000000-008237 )	Squeegee Assy, 700mm [7200]	1
▲	1 222131	(000000-008237 )	Frame, Sqge [28]	1
▲	2 398308	(000000-008237 )	Plate, Retainer, Blade, 28.0inch /700mm	1
▲	3 222381	(000000-008237 )	Blade, Sqge, Front, 38.97l Rbr [700mm]	1
▲	4 222382	(000000-008237 )	Blade, Sqge, Rear, 40.93l Linatex[700mm]	1
▲	5 222378	(000000-008237 )	Retainer Wldt, Sqge, 28.0 [5700]	1
▲	6 222794	(000000-008237 )	Knob Assy, Rnd, 1.00d 0.66l .25-20 1.5l	2
▲	7 82138	(000000-008237 )	Nut, Spd, Clip, .25-20 [.025-.150]	2
▲	8 222066	(000000-008237 )	Wheel, 03.0d 0.88w 0.50b	1
▲	9 222496	(000000-008237 )	Sleeve, P/M, 0.31b 0.50d 0.9l [430ss]	1
▲	10 222268	(000000-008237 )	Washer, Flat, 0.38b 1.25d .12, Neo	2
▲	11 222244	(000000-008237 )	Cam, Adj, Sqge	2
▲	12 223590	(000000-008237 )	Bracket Wldt, Wheel, Sqge	2
▲	13 222260	(000000-008237 )	Pin, Clevis, 0.37d X 2.25l	2
▲	14 49694	(000000-008237 )	Screw, Hex, M8 X 1.25 X 50, Ss	1
▲	15 223593	(000000-008237 )	Caster, Swivel, 2.5d 1.3w, .50-13 Stem	2
▲	16 223297	(000000-008237 )	Bumper, Sqge	1
▲	17 370100	(000000-008237 )	Knob, Star, 2.80d 4ear 1.1l .31-18, Pyp	4
▲	18 09026	(000000-008237 )	Screw, Hex, M8 X 1.25 X 40, Ss	1
▲	19 01685	(000000-008237 )	Washer, Flat, 0.38b 0.88d .08, Ss	9
▲	20 08713	(000000-008237 )	Nut, Hex, Lock, M8 X 1.25, NI, Ss	4
▲	21 09767	(000000-008237 )	Screw, Hex, M8 X 1.25 X 70, Ss	2
▲	22 04414	( xxxxxx-008237 )	Washer, Flat, 0.53b 1.88d .12, Stl, Pl	2
▲	23 398304	( xxxxxx-008237 )	Ring, Mtg, Sqge, .38l	2
▽	222422	(000000-008237 )	Blade Kit, Sqge, Rbr [700]	1
▲	24 222385	(000000-008237 )	Blade, Sqge, Tile, 38.97l [Linard, 28"]	1
▲	25 222387	(000000-008237 )	Blade, Sqge, Rear, 40.93l Gum [28"]	1
▽	222428	(000000-008237 )	Sqge Kit, Oil Res Ure [700]	1
▲	26 222391	(000000-008237 )	Blade, Sqge, Front, 38.97l [700mm]	1
▲	27 222389	(000000-008237 )	Blade, Sqge, Rear, 40.93l Pyu [28"]	1

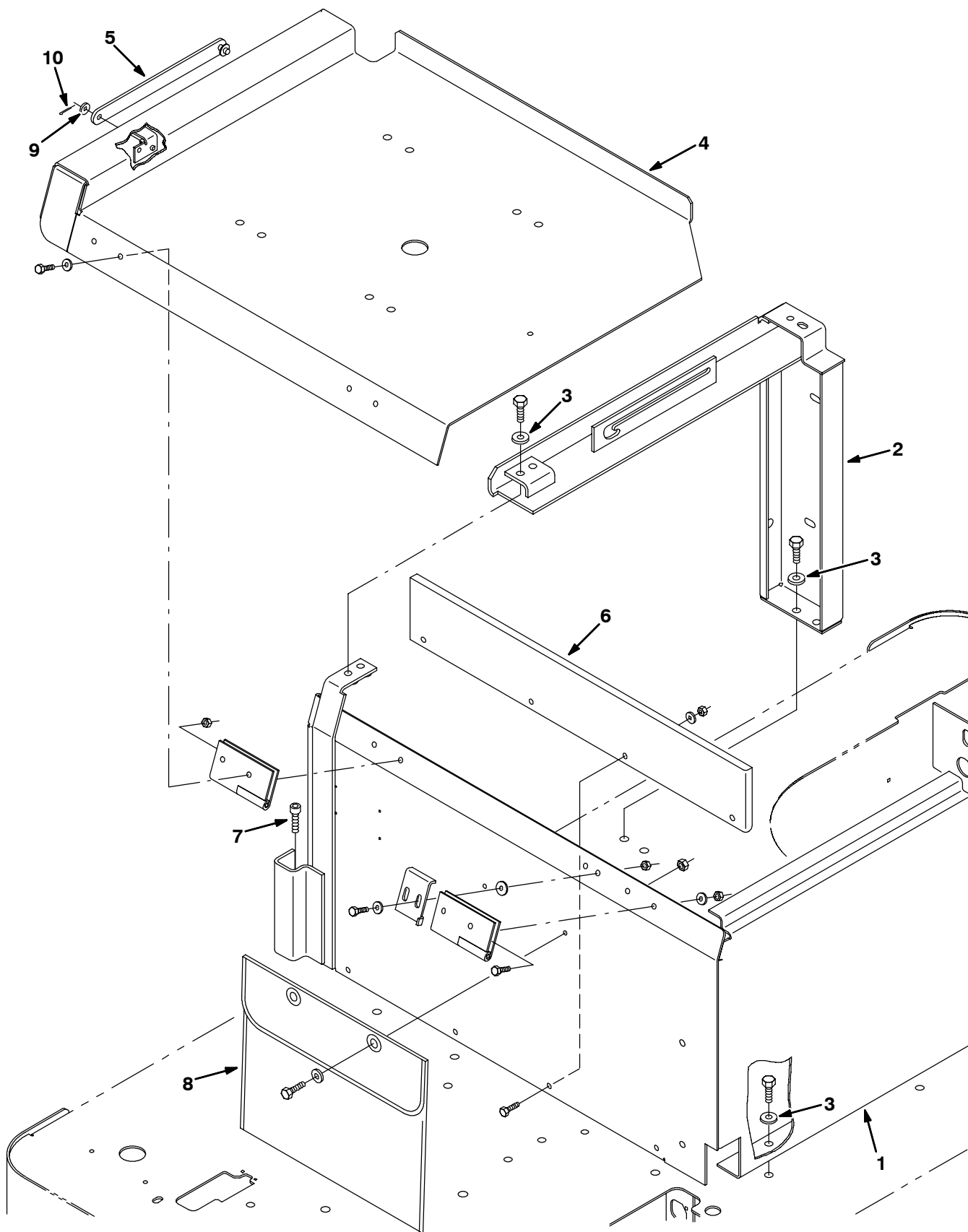
Fig. 35 - Rollout Battery Scrub Head Lift Group



**Fig. 35 - Rollout Battery Scrub Head Lift Group**

<b>Ref.</b>	<b>Part No.</b>	<b>Serial Number</b>	<b>Description</b>	<b>Qty.</b>
1	369431	(000000-	) Panel Wldt, Mtg, Tool Lift	1
2	223517	(000000-	) Spring, Cmpr, 0.84od .11wir 02.0l	2
3	223518	(000000-	) Spring, Cmpr, 0.98od .14wir 02.5l	2
4	50682	(000000-	) Sleeve, P/M, 0.50b 0.62d 1.3l, PI	2
5	45960	(000000-	) Bolt, Shld, .50d X 4.25, .38-16	2
6	223450	(000000-	) Channel Wldt, Mtg, Actuator	1
7	11211	(000000-	) Pin, Clevis, 0.50d X 2.25l	1
8	51534	(000000-	) Pin, Clevis, 0.50d X 2.00l	1
9	390665	(000000-	) Channel, .18, 1.9w 2.3 05.3l, 4hole	1
10	390992	(000000-	) Actuator, 36vdc, 05.0strk, 600lb	1
11	36959	(000000-	) Ear, Pivot, Bmpr	1
12	223430	(000000-	) Shaft Wldt, Lift, Tool	1
13	223433	(000000-	) Arm Wldt, Lift, Tool	1
14	51317	(000000-	) Pin, Roll, .375d X 2.00l, .375/.382	1
15	369337	(000000-	) Bearing, Flng, 2hole, 1.25b [Indiv Pkg]	2
16	09291	(000000-	) Screw, Hex, M10 X 1.5 X 20, Ss	8
17	01686	(000000-	) Washer, Flat, 0.44b 1.00d .08, Ss	8
18	08714	(000000-	) Nut, Hex, Lock, M10 X 1.5, NI, Ss	8
19	59861	(000000-	) Ring, Retaining, Ext, 1.25d	2
20	223414	(000000-	) Channel Wldt, Tool, Lift	1
20	397638	(000000-	) Channel Wldt, Tool, Lift[700mm R/O Disk]	1
21	15648	(000000-	) Bushing, Flng, 0.50b 0.59d 0.38l	2
22	369402	(000000-	) Plate, Brg, Mtg	2
23	223428	(000000-	) Rod, Valve, Water Cntrl	1
24	369490	(000000-	) Angle, Cover, Tool Lift	1
25	58595	(000000-	) Nut, U, M8 X 1.25	1
26	369359	(000000-	) Pin, Hitch, .375d X 3.12l, PI	1
27	32486	(000000-	) Washer, Flat, 0.50, Sae	4
28	32492	(000000-	) Washer, Flat, 0.38, Std	2
29	50902	(000000-	) Nut, Hex, Lock, .38-16, NI	2
30	16931	(000000-	) Screw, Hex, M8 X 1.25 X 20, 8.8	3
31	32491	(000000-	) Washer, Flat, 0.31, Std	3
32	09164	(000000-	) Screw, Pan, M6 X 1.00 X 20, 4.8	6
33	32490	(000000-	) Washer, Flat, 0.25, Std	6

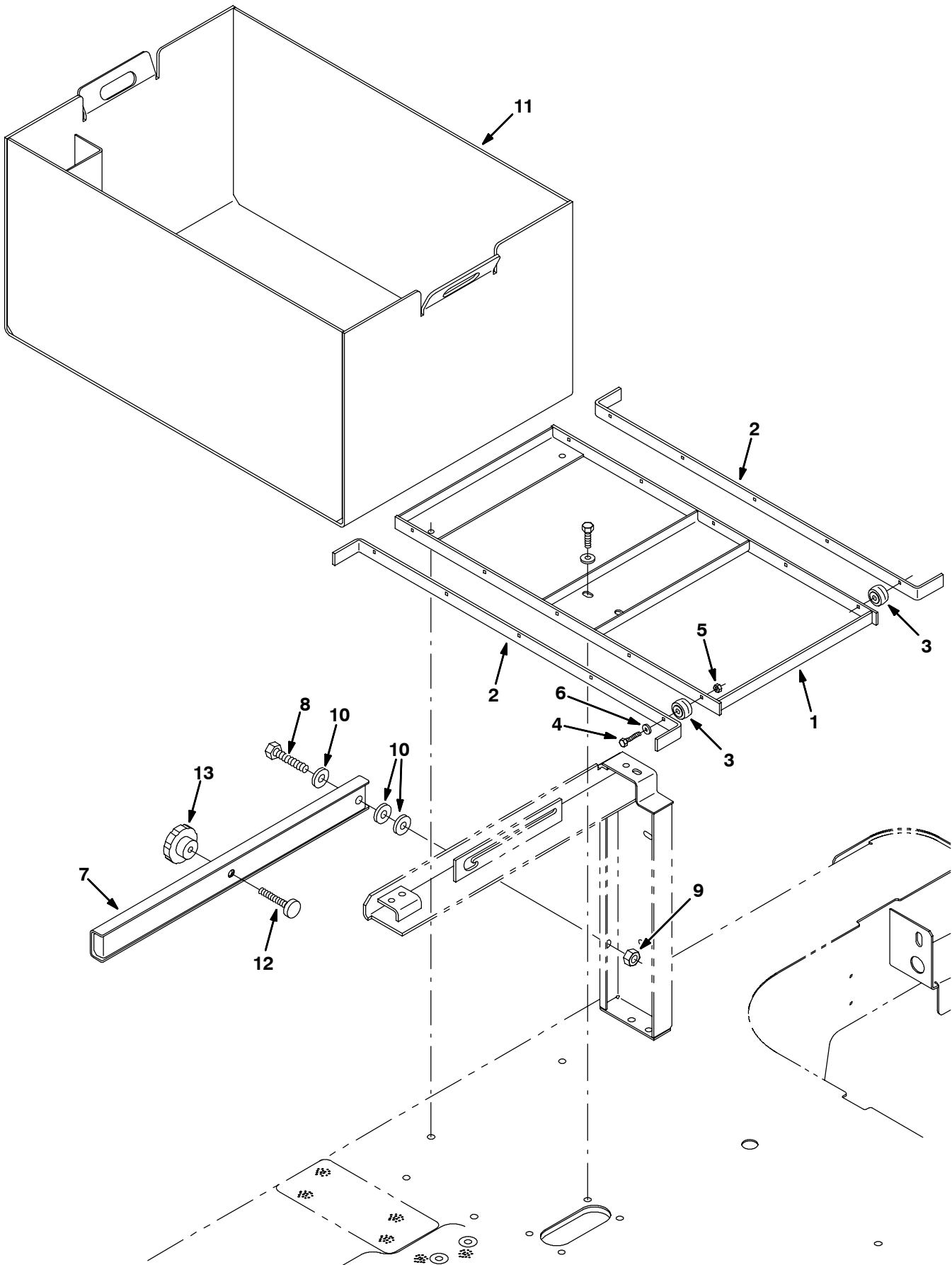
Fig. 36 - Rollout Battery Seat Support Group



**Fig. 36 - Rollout Battery Seat Support Group**

<b>Ref.</b>	<b>Part No.</b>	<b>Serial Number</b>	<b>Description</b>	<b>Qty.</b>
1	369426	(000000-	) Support Wldt, Seat	1
2	369421	(000000-	) Brace Wldt, Mtg, Seat, Ohg	1
3	01685	(000000-	) Washer, Flat, 0.38b 0.88d .08, Ss	8
4	369418	(000000-	) Pan, Mtg, Seat	1
5	369434	(000000-	) Arm Wldt, Safety, Seat	1
6	369386	(000000-	) Plate, 0.50 X 04.0 X 025.0 [Hdpe]	1
7	09278	(000000-	) Screw, Soc, M8 X 1.25 X 30, 12.9	1
8	48790	(000000-	) Pouch	1
9	32483	(000000-	) Washer, Flat, 0.25, Sae	1
10	39005	(000000-	) Pin, Cotter, .094 X 0.75	1

Fig. 37 - Rollout Battery Case Group

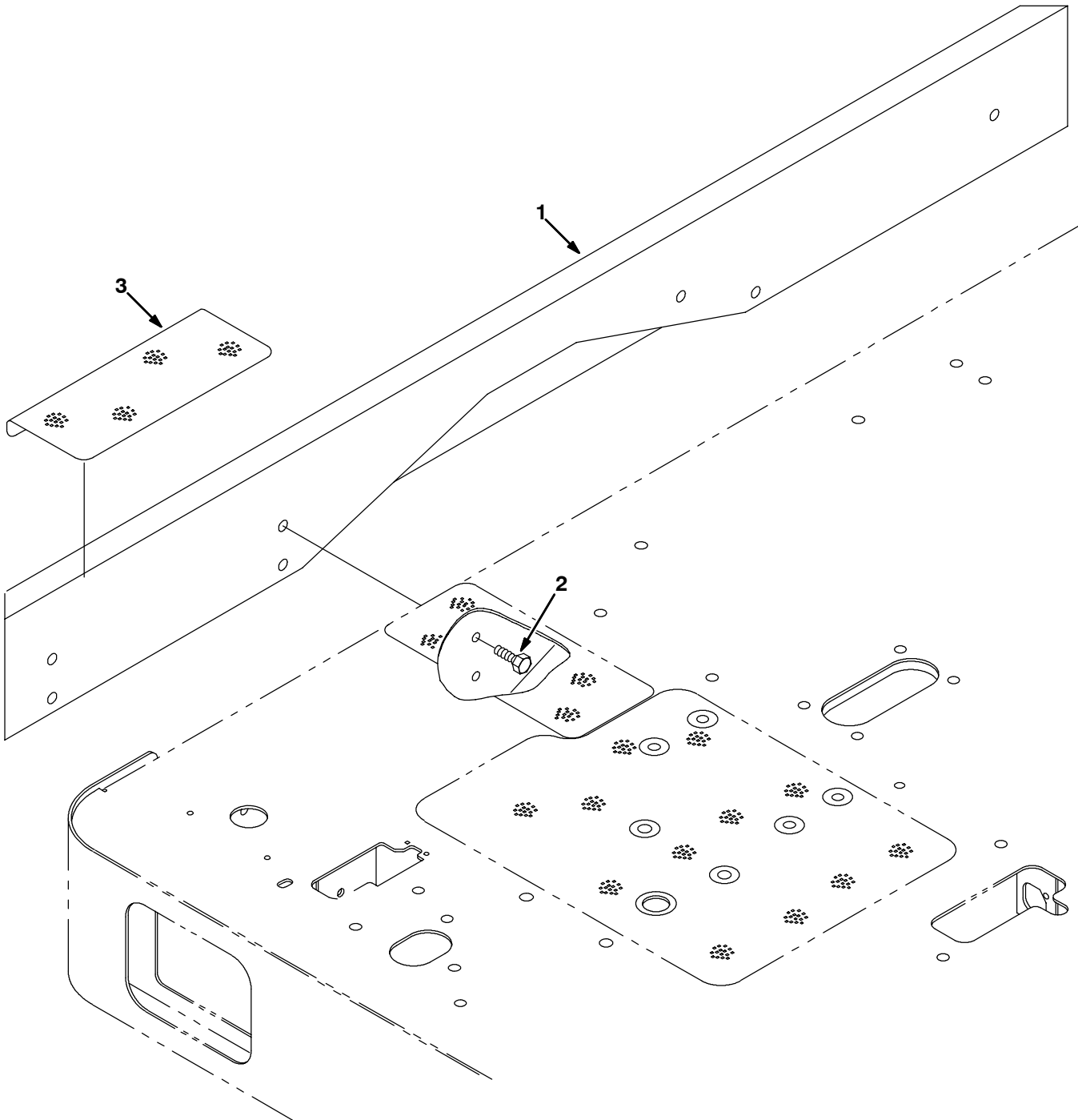




**Fig. 37 - Rollout Battery Case Group**

<b>Ref.</b>	<b>Part No.</b>	<b>Serial Number</b>	<b>Description</b>	<b>Qty.</b>
1	223466	(000000-	) Bar Wldt, Mtg, Battery [Rlr]	1
2	223476	(000000-	) Channel, .18, 27.8w 2.3 0.9l, 5/0.3h	2
3	369415	(000000-	) Bearing, Needle, 0.25b 0.88d 0.50w	10
4	01699	(000000-	) Screw, Hex, .25-20 X 1.25, Ss	10
5	41169	(000000-	) Nut, Hex, Lock, .25-20, NI, Ss	10
6	01684	(000000-	) Washer, Flat, 0.27b 0.69d .05, Ss	10
7	385600	(000000-	) Arm Wldt, Stop, Battery	1
8	02930	(000000-	) Screw, Hex, .50-13 X 2.50, Ss	1
9	02931	(000000-	) Nut, Hex, Lock, .50-13, NI, Ss	1
10	41619	(000000-	) Washer, Flat, 0.56b 1.38d .11, Ss	3
11	369483	(000000-	) Box Wldt, Battery, R/O [No Battery]	1
12	369488	(000000-	) Stop, Leveler	1
13	06506	(000000-	) Knob, Rnd, 2.37d 1.30l 0.38h, Plstc	1

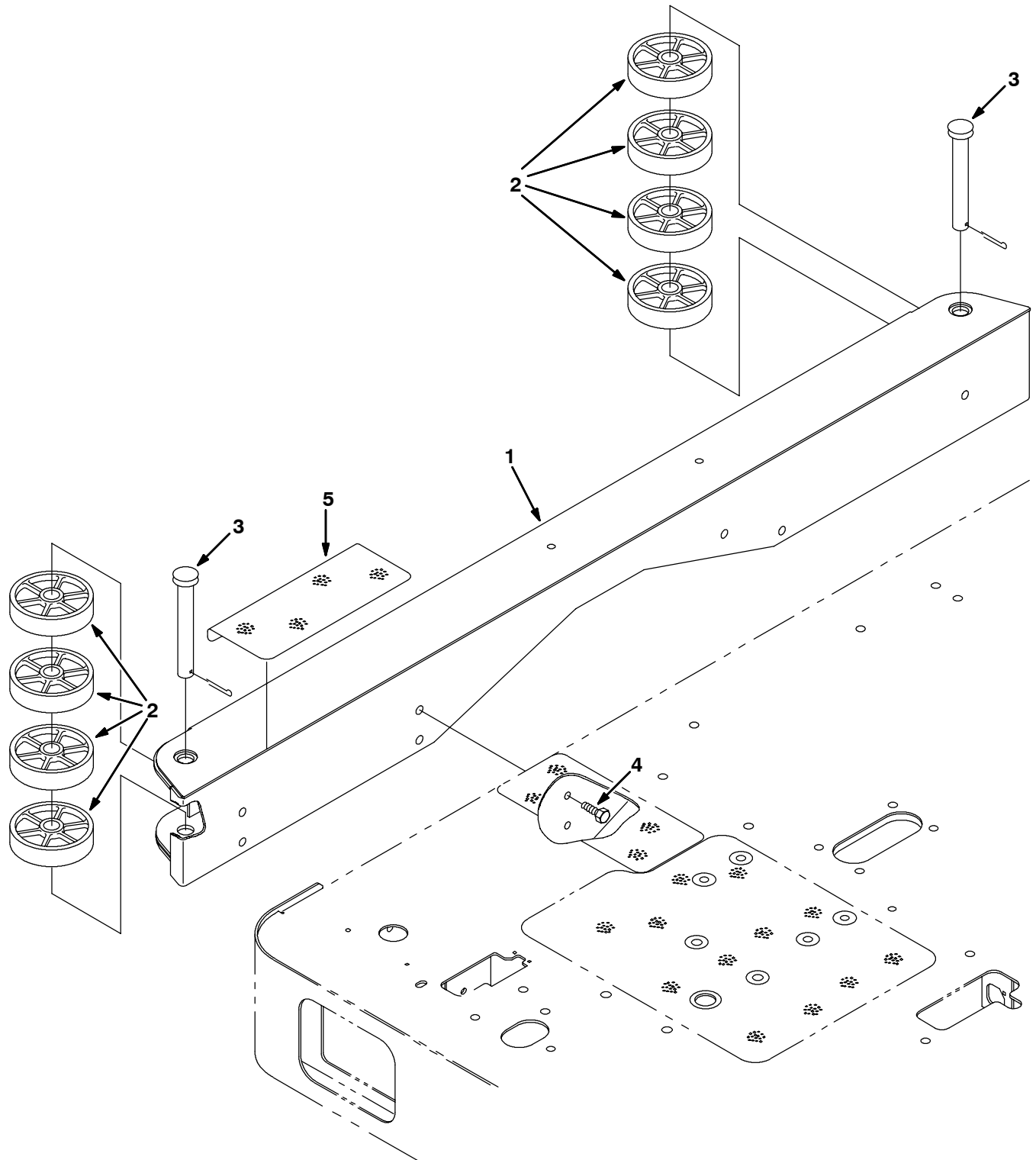
**Fig. 38 - Rollout Battery Side Bumper Group, 700 mm (28 in)**



353526 - NA

Ref.	Part No.	Serial Number	Description	Qty.
1	385739	(000000-008237 )	Bumper Wldt, Battery, R/O [700mm]	1
2	09010	(000000-008237 )	Screw, Hex, M8 X 1.25 X 25, Ss	7
3	223350	(000000-008237 )	Tread, Non-Skid, 04.5w 10.0l	1

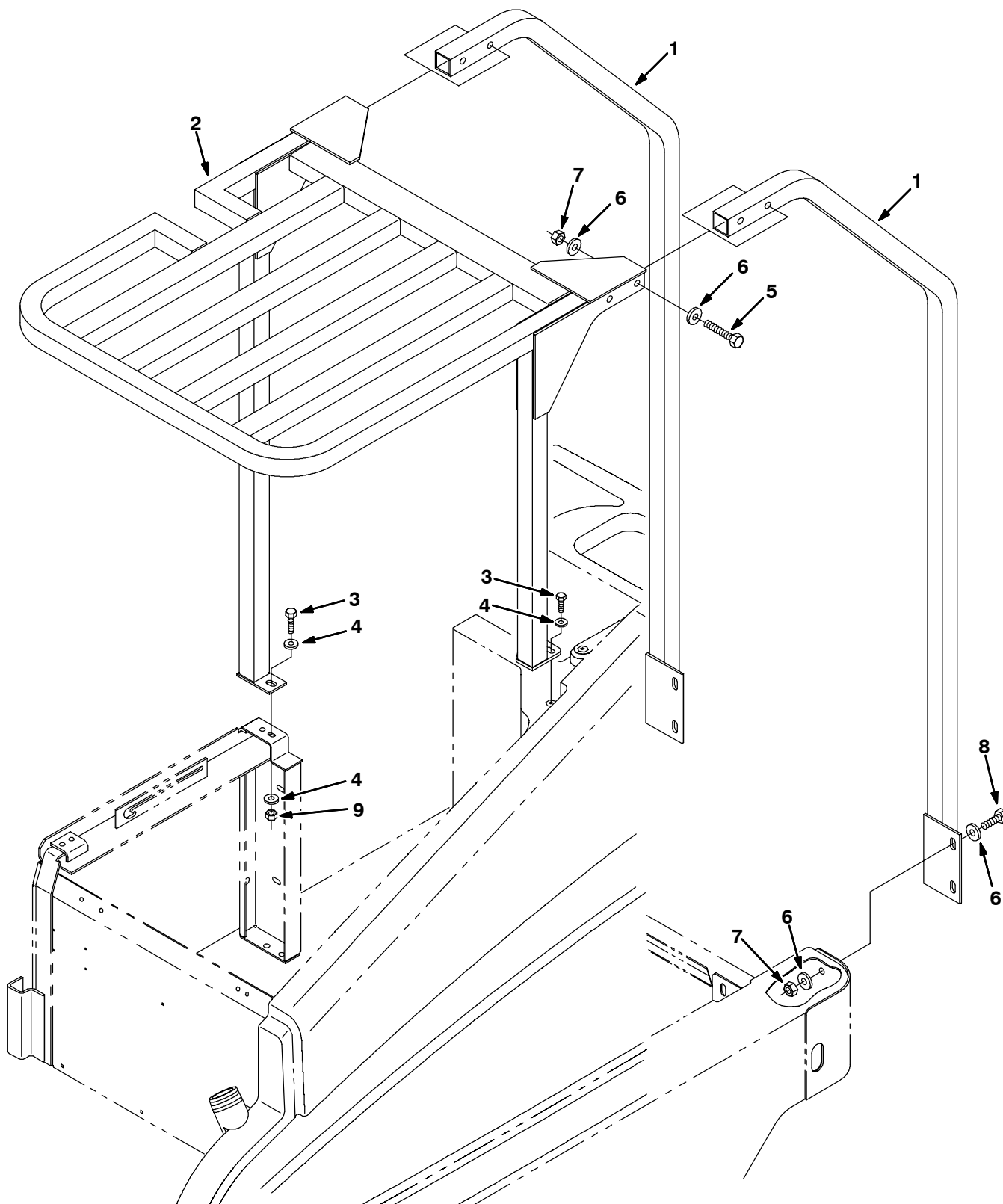
Fig. 39 - Rollout Battery Side Bumper Group, 900 mm (36 in)



351328 - NA, CE

Ref.	Part No.	Serial Number	Description	Qty.
1	385603	(000000- )	Bumper Wldt, Battery, R/O	1
2	364085	(000000- )	Wheel, 04.0d 0.98w 0.78b	8
3	54660	(000000- )	Pin, Clevis, 0.75d X 5.50l	2
4	09010	(000000- )	Screw, Hex, M8 X 1.25 X 25, Ss	7
5	223350	(000000- )	Tread, Non-Skid, 04.5w 10.0l	1

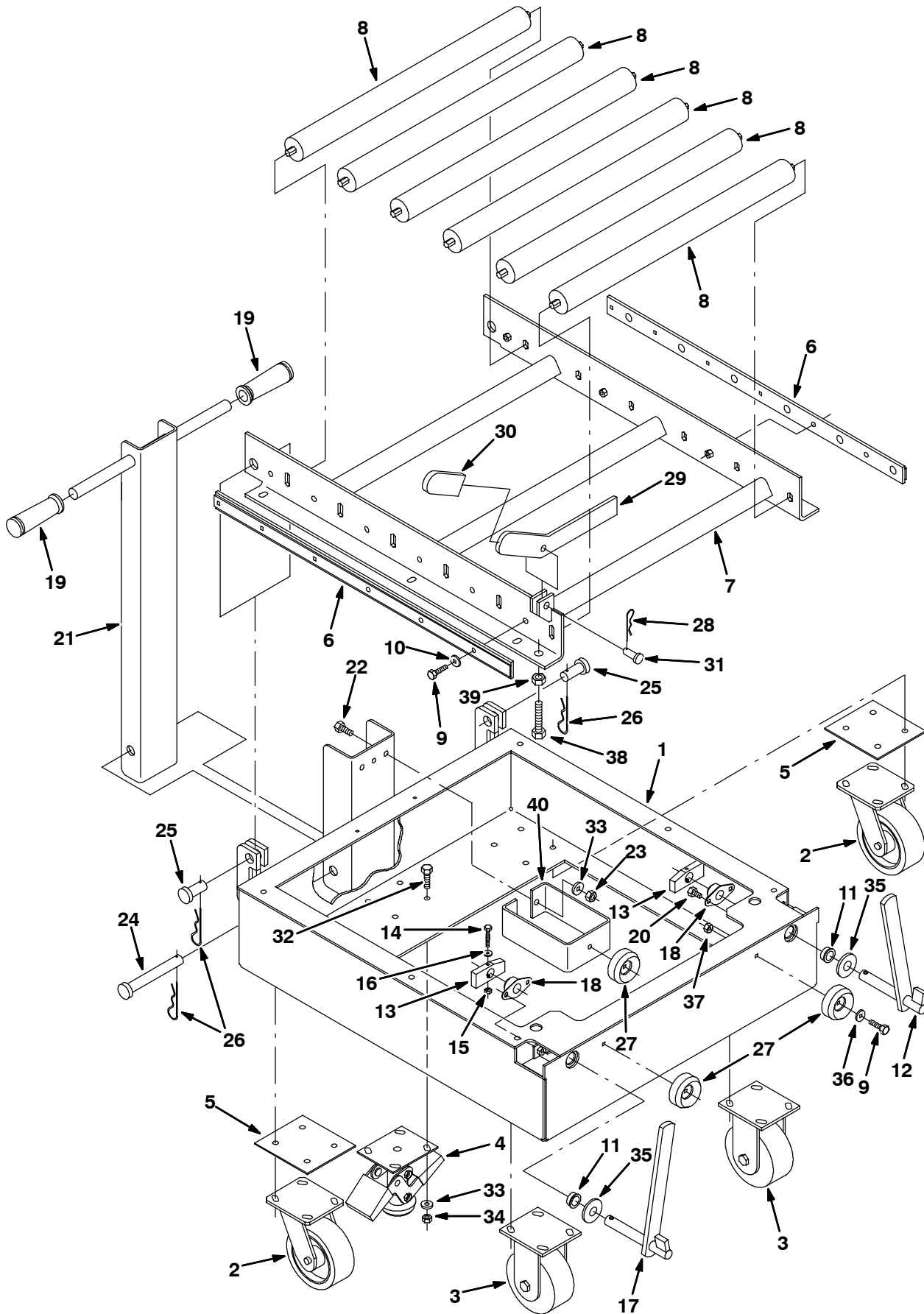
Fig. 40 - Rollout Battery Overhead Guard Kit



**Fig. 40 - Rollout Battery Overhead Guard Kit**

	<b>Ref.</b>	<b>Part No.</b>	<b>Serial Number</b>	<b>Description</b>	<b>Qty.</b>
▽		385616	(000000-	) Ohg Kit, Ci [7200 R/O]	1
▲	1	223390	(000000-	) Tube Wldt, Leg, Ohg, Rear [7200]	2
▲	2	385610	(000000-	) Guard, Overhead, Top, R/O	1
▲	3	12273	(000000-	) Screw, Hex, M8 X 1.25 X 20, Ss, NI	2
▲	4	01685	(000000-	) Washer, Flat, 0.38b 0.88d .08, Ss	3
▲	5	33950	(000000-	) Screw, Hex, M12 X 1.75 X 80, Ss	4
▲	6	32486	(000000-	) Washer, Flat, 0.50, Sae	16
▲	7	08711	(000000-	) Nut, Hex, Lock, M12 X 1.75,NI	8
▲	8	09029	(000000-	) Screw, Hex, M12 X 1.75 X 40, Ss	4
▲	9	08709	(000000-	) Nut, Hex, Lock, M8 X 1.25, NI	1

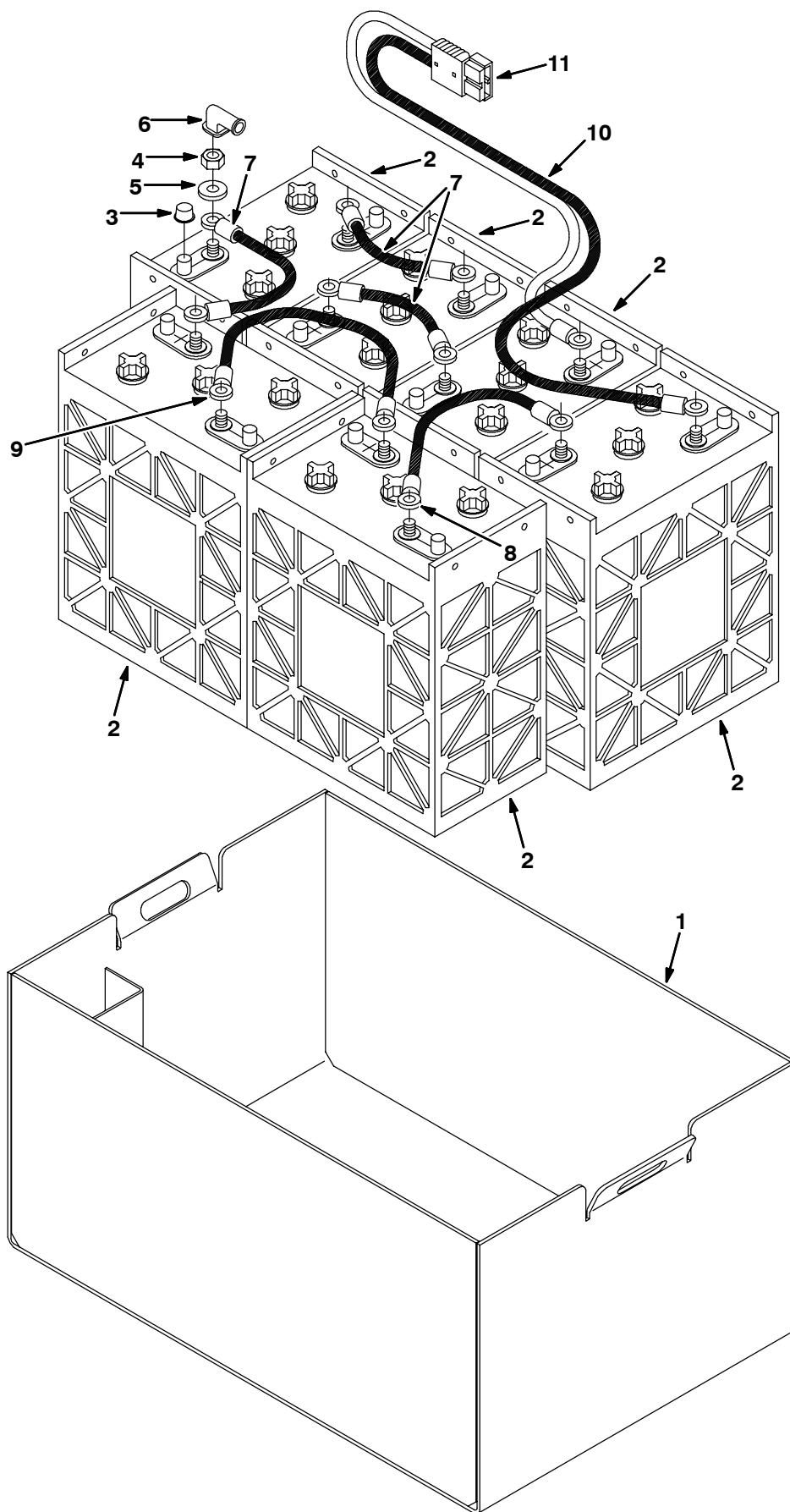
Fig. 41 - Rollout Battery Cart Kit



**Fig. 41 - Rollout Battery Cart Kit**

	<b>Ref.</b>	<b>Part No.</b>	<b>Serial Number</b>	<b>Description</b>	<b>Qty.</b>
▽		369362	(000000-	) Cart Kit, Battery, Ci, R/O [6100]	1
▲	1	369435	(000000-	) Frame, Cart, Battery [7200]	1
▲	2	222467	(000000-	) Caster, Swivel, 5.0d 2.0w, 4hole, Gray	2
▲	3	369373	(000000-	) Caster, Rigid, 5.0d X 2.0w, 4hole	2
▲	4	377328	(000000-	) Lock, Floor	1
▲	5	369372	(000000-	) Plate, Spacer	2
▲	6	369466	(000000-	) Retainer, Shaft, Rlr	2
▲	7	369462	(000000-	) Frame Wldt, Mtg, Rlr	1
▲	8	369371	(000000-	) Roller Assy, 1.90d 23.66l, Stl	6
▲	9	09010	(000000-	) Screw, Hex, M8 X 1.25 X 25, Ss	12
▲	10	01685	(000000-	) Washer, Flat, 0.38b 0.88d .08, Ss	12
▲	11	369487	(000000-	) Grommet, Nyl, 0.75id, F/1.0h, .12 Matl	2
▲	12	369473	(000000-	) Lock Wldt, Cart, Battery, Lh	1
▲	13	369478	(000000-	) Block, Stop, Lock, Battery Cart	2
▲	14	06947	(000000-	) Screw, Hex, M6 X 1.0 X 40, 8.8	2
▲	15	08708	(000000-	) Nut, Hex, Lock, M6 X 1.00, NI	2
▲	16	01684	(000000-	) Washer, Flat, 0.27b 0.69d .05, Ss	2
▲	17	369474	(000000-	) Lock Wldt, Cart, Battery, Rh	1
▲	18	223065	(000000-	) Bearing, Flng, 2hole, 0.75b [Nyl]	2
▲	19	222648	(000000-	) Grip, Handle, Rnd	2
▲	20	15675	(000000-	) Screw, Hex, M8 X 1.25 X 16, Ss	4
▲	21	369470	(000000-	) Handle Wldt, Battery Cart	1
▲	22	39283	(000000-	) Screw, Hex, M10 X 1.5 X 25, 8.8	2
▲	23	66185	(000000-	) Nut, Hex, Std, M10 X 1.25	2
▲	24	54660	(000000-	) Pin, Clevis, 0.75d X 5.50l	1
▲	25	02141	(000000-	) Pin, Clevis, 0.75d X 1.69l	2
▲	26	55094	(000000-	) Pin, Cotter, Hair, 0.75d .148 Wir	3
▲	27	369481	(000000-	) Bumper, Rbr, 2.5d X 1.00	3
▲	28	21120	(000000-	) Pin, Cotter, Hair, 0.43d .079 Wir	1
▲	29	369496	(000000-	) Arm, Flat, Stop, Battery, 0.31	1
▲	30	385612	(000000-	) Grip, Handle	1
▲	31	58078	(000000-	) Pin, Clevis, 0.50d X 1.25l	1
▲	32	03192	(000000-	) Screw, Hex, M10 X 1.5 X 30, 8.8	20
▲	33	32492	(000000-	) Washer, Flat, 0.38, Std	22
▲	34	41430	(000000-	) Nut, Hex, Lock, M10 X 1.5, NI	20
▲	35	39350	(000000-	) Washer, Flat, 0.75, Sae	2
▲	36	32491	(000000-	) Washer, Flat, 0.31, Std	3
▲	37	08709	(000000-	) Nut, Hex, Lock, M8 X 1.25, NI	3
▲	38	06416	(000000-	) Screw, Hex, M12 X 1.75 X 50, FI	2
▲	39	39313	(000000-	) Nut, Hex, Std, M12 X 1.75	2
▲	40	83380	(000000-	) Bracket, Stop, Battery Case	1

Fig. 42 - Rollout Battery Pack Kit

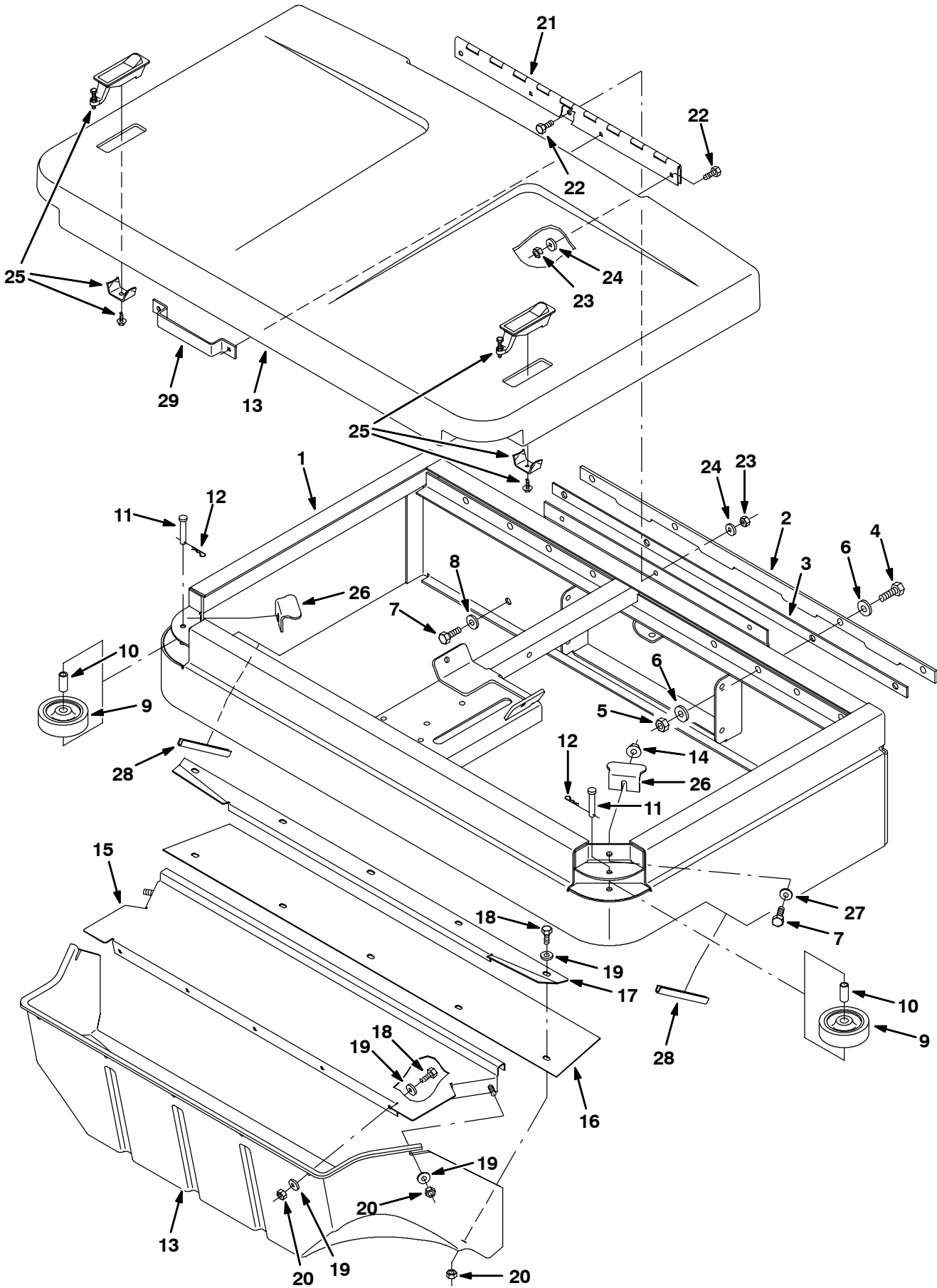




**Fig. 42 - Rollout Battery Pack Kit**

	<b>Ref.</b>	<b>Part No.</b>	<b>Serial Number</b>	<b>Description</b>	<b>Qty.</b>
▽		369447	(000000-	) Battery Kit, R/O, Ci [7200]	1
▲	1	369483	(000000-	) Box Wldt, Battery, R/O [No Battery]	1
▲	2	222846	(000000-	) Battery, Wet, 06vdc 0335ah	6
▲	3	223641	(000000-	) Cap, Battery	6
▲	4	87435	(000000-	) Nut, Hex, Flexlock, .31-18	12
▲	5	01685	(000000-	) Washer, Flat, 0.38b 0.88d .08, Ss	12
▲	6	02076	(000000-	) Boot, 90deg .50id .57id X .84id 1.0l,Blk	12
▲	7	223355	(000000-	) Cable, 04ga 08.0l Blk .34ring /.34ring	3
▲	8	223356	(000000-	) Cable, 04ga 12.0l Blk .34ring /.34ring	1
▲	9	223364	(000000-	) Cable, 04ga 18.0l Blk .34ring /.34ring	1
▲▽	10	223361	(000000-	) Cable Assy, 04ga .34ring /.34ring, 175a	1
▲▲	11	22892	(000000-	) Connector, Anderson, 175a, Gray	1

**Fig. 43 - Pre-Sweep Frame and Hopper Group (008300- )**



**Fig. 43 - Pre-Sweep Frame and Hopper Group (008300- )**

<b>Ref.</b>	<b>Part No.</b>	<b>Serial Number</b>	<b>Description</b>	<b>Qty.</b>
1	392135	(008300-	) Frame Wldt, Pre-Sweep	1
2	392128	(008300-	) Plate, Clamp	1
3	392129	(008300-	) Plate, Clamp	1
4	03192	(008300-	) Screw, Hex, M10 X 1.5 X 30, 8.8	4
5	41430	(008300-	) Nut, Hex, Lock, M10 X 1.5, NI	4
6	32485	(008300-	) Washer, Flat, 0.38, Sae	8
7	16931	(008300-	) Screw, Hex, M8 X 1.25 X 20, 8.8	4
8	41186	(008300-	) Washer, Flat, Belleville, .31	2
9	81580	(008300-	) Wheel, Pyp, 04.0d 0.87w 0.44b	2
10	383910	(008300-	) Sleeve, P/M, 0.31b 0.44d 1.1l [430ss]	2
11	81581	(008300-	) Pin, Clevis, 0.31d X 1.75l	2
12	08085	(008300-	) Pin, Cotter, Hair, 0.31d .058 Wir	2
13	392194	(008300-	) Hopper Kit, W/ Cover	1
14	07791	(008300-	) Nut, Hex, Flng, M8 X 1.25	2
15	392145	(008300-	) Cover, Hppr	1
16	392143	(008300-	) Skirt, Neo, .06, 04.69w 33.56l, 05/ SI	1
17	392144	(008300-	) Retainer, Lip, Hppr	1
18	08716	(008300-	) Screw, Hex, M6 X 1.0 X 20, Ss	10
19	01684	(008300-	) Washer, Flat, 0.27b 0.69d .05, Ss	17
20	08712	(008300-	) Nut, Hex, Lock, M6 X 1.00, Ss, NI	12
21	392151	(008300-	) Hinge, .18pin .06 2.5w 19.0l, 7/0.29h&S	1
22	06943	(008300-	) Screw, Hex, M6 X 1.0 X 20, 8.8	7
23	08708	(008300-	) Nut, Hex, Lock, M6 X 1.00, NI	7
24	32483	(008300-	) Washer, Flat, 0.25, Sae	7
25	398806	(008300-	) Latch	2
26	392195	(008300-	) Angle, Latch Strike	2
27	32490	(008300-	) Washer, Flat, 0.25, Std	2
28	393065	(008300-	) Molding, Trim, .08-.11 05.0l	2
29	393063	(008300-	) Bracket, Cover	1

**Fig. 44 - Pre-Sweep Brush Lift Group (008300- )**

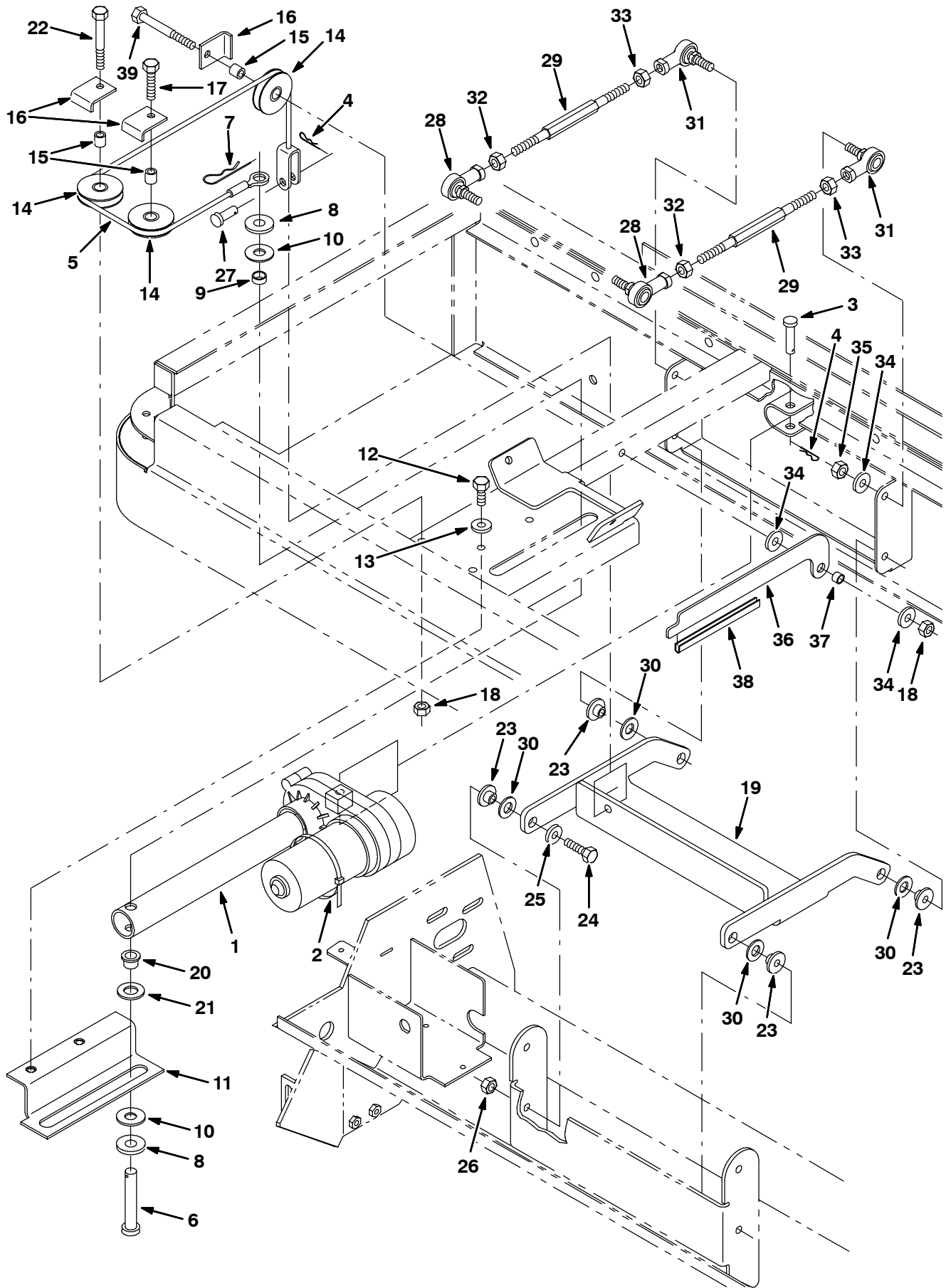
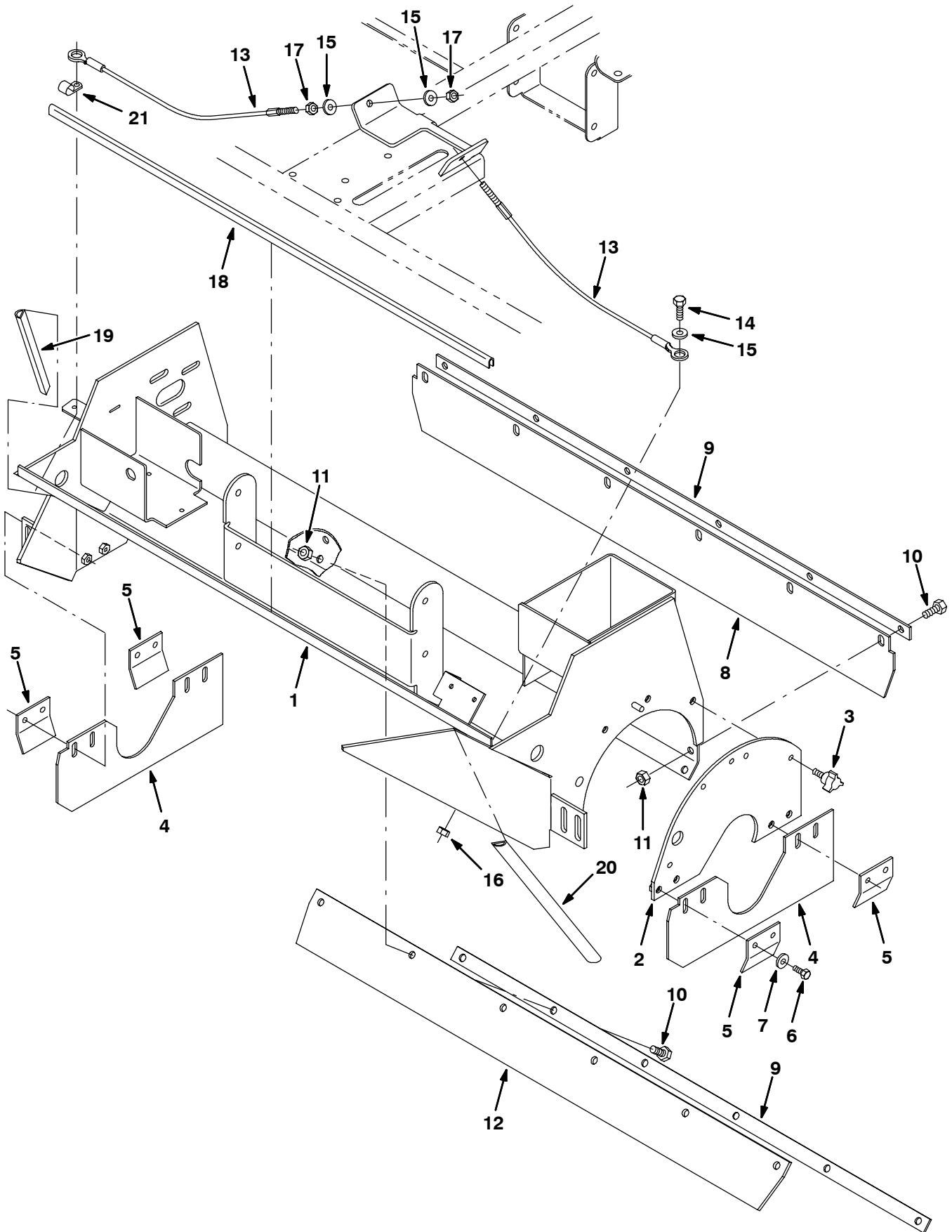


Fig. 44 - Pre-Sweep Brush Lift Group (008300- )

Ref.	Part No.	Serial Number	Description	Qty.
1	393056	(008300-	) Actuator, 36vdc, 03.4strk, 600 Lb	1
2	49263	(008300-	) Tie, Cable, Nyl, 11.4l .19w 3.0 Max D	1
3	29558	(008300-	) Pin, Clevis, 0.37d X 1.50l	1
4	86866	(008300-	) Pin, Cotter, Hair, 0.38d .072 Wir	2
5	392233	(008300-	) Cable, Glv .19d 028.3l .4clevis /.55eye	1
6	23683	(008300-	) Pin, Clevis, 0.50d X 3.00l	1
7	02942	(008300-	) Pin, Cotter, Hair, 0.62d .120 Wir	1
8	32493	(008300-	) Washer, Flat, 0.50, Std	2
9	140145	(008300-	) Sleeve, P/M, 0.50b 0.63d 0.3l, Stl Pl	1
10	86952	(008300-	) Washer, Flat, 0.52b 1.25d .06, Nyl	2
11	392286	(008300-	) Bracket, Actuator	1
12	16931	(008300-	) Screw, Hex, M8 X 1.25 X 20, 8.8	2
13	32491	(008300-	) Washer, Flat, 0.31, Std	2
14	369781	(008300-	) Pulley, Cable, 1.5d Nyl	3
15	222460	(008300-	) Sleeve, P/M, 0.31b 0.50d 0.5l [430ss]	3
16	54400	(008300-	) Bracket, Angle, Keeper, Cable	3
17	06955	(008300-	) Screw, Hex, M8 X 1.25 X 35, 8.8	3
18	08709	(008300-	) Nut, Hex, Lock, M8 X 1.25, NI	3
19	392198	(008300-	) Arm, Lower	1
20	393059	(008300-	) Bushing, Flng, 0.50b 0.66d 0.38l, Ss	1
21	20536-1	(008300-	) Washer, Flat, 0.64b 1.19d .06, Nyl	1
22	39279	(008300-	) Screw, Hex, M8 X 1.25 X 70, 8.8	1
23	397060	(008300-	) Sleeve, Flng, 0.32b 1.00/0.49d 0.4l, Ss	4
24	76570	(008300-	) Screw, Hex, M8 X 1.25 X 30, 8.8	4
25	32490	(008300-	) Washer, Flat, 0.25, Std	4
26	08709	(008300-	) Nut, Hex, Lock, M8 X 1.25, NI	4
27	09088	(008300-	) Pin, Clevis, 0.37d X 1.00l	1
28	86781	(008300-	) Rod-End, 0.38-24rh Fem 0.38-24stud	2
29	392158	(008300-	) Rod, Thrd, 2 End, .38-24 07.0l, Lh Hex	2
30	630447	(008300-	) Washer, Flat, M12.7x25.4 Rep.By20536-2	4
31	86780	(008300-	) Rod-End, .38-24lh Fem 0.38-24stud	2
32	20171	(008300-	) Nut, Hex, Jam, .38-24	2
33	82889	(008300-	) Nut, Hex, Jam, .38-24, Lh	2
34	32492	(008300-	) Washer, Flat, 0.38, Std	6
35	67312	(008300-	) Nut, Hex, Lock, .38-24, NI	4
36	393060	(008300-	) Bracket, Rod, Prop	1
37	54623	(008300-	) Tube, 0.34id 0.44od 00.3l, Ss	1
38	393065	(008300-	) Molding, Trim, .08-.11 05.0l	1
39	06958	(008300-	) Screw, Hex, M8 X 1.25 X 80, 8.8	1

Fig. 45 - Pre-Sweep Brush Housing and Skirts Group (008300- )



**Fig. 45 - Pre-Sweep Brush Housing and Skirts Group (008300- )**

<b>Ref.</b>	<b>Part No.</b>	<b>Serial Number</b>	<b>Description</b>	<b>Qty.</b>
1	392231	(008300-	) Housing Wldt, Brush	1
2	392226	(008300-	) Plate, Removal, Brush	1
3	397225	(008300-	) Knob Assy, Star, 1.12d 3ear M06x1.0 0.8l	4
4	392200	(008300-	) Skirt, Neo, .12, 04.31w 11.62l, 04/ SI	2
5	392261	(008300-	) Retainer, Skirt	4
6	11329	(008300-	) Screw, Hex, M6 X 1.0 X 16, Ss, NI	8
7	01684	(008300-	) Washer, Flat, 0.27b 0.69d .05, Ss	8
8	392202	(008300-	) Skirt, Neo, .12, 03.87w 33.87l, 06/ SI	1
9	392203	(008300-	) Retainer, Skirt	2
10	09740	(008300-	) Screw, Hex, M8 X 1.25 X 20, Ss	12
11	08713	(008300-	) Nut, Hex, Lock, M8 X 1.25, NI, Ss	12
12	392204	(008300-	) Skirt, Neo, .18, 02.87w 33.32l, 06/ Hole	1
13	392239	(008300-	) Cable, Ss .13d 015.7l .25eye / M06-1.0	2
14	06943	(008300-	) Screw, Hex, M6 X 1.0 X 20, 8.8	2
15	32483	(008300-	) Washer, Flat, 0.25, Sae	6
16	08708	(008300-	) Nut, Hex, Lock, M6 X 1.00, NI	2
17	41359	(008300-	) Nut, Hex, Std, M6 X 1.00, 8	4
18	392291	(008300-	) Molding, Trim, .08-.11 30.0l	1
19	392287	(008300-	) Seal, Hppr, Rh	1
20	392288	(008300-	) Seal, Hppr, Lh	1
21	26395-1	(008300-	) Clamp, Cable, Stl, 0.56d X 0.38w, 1hole	1

Fig. 46 - Pre-Sweep Brush Drive Group (008300- )

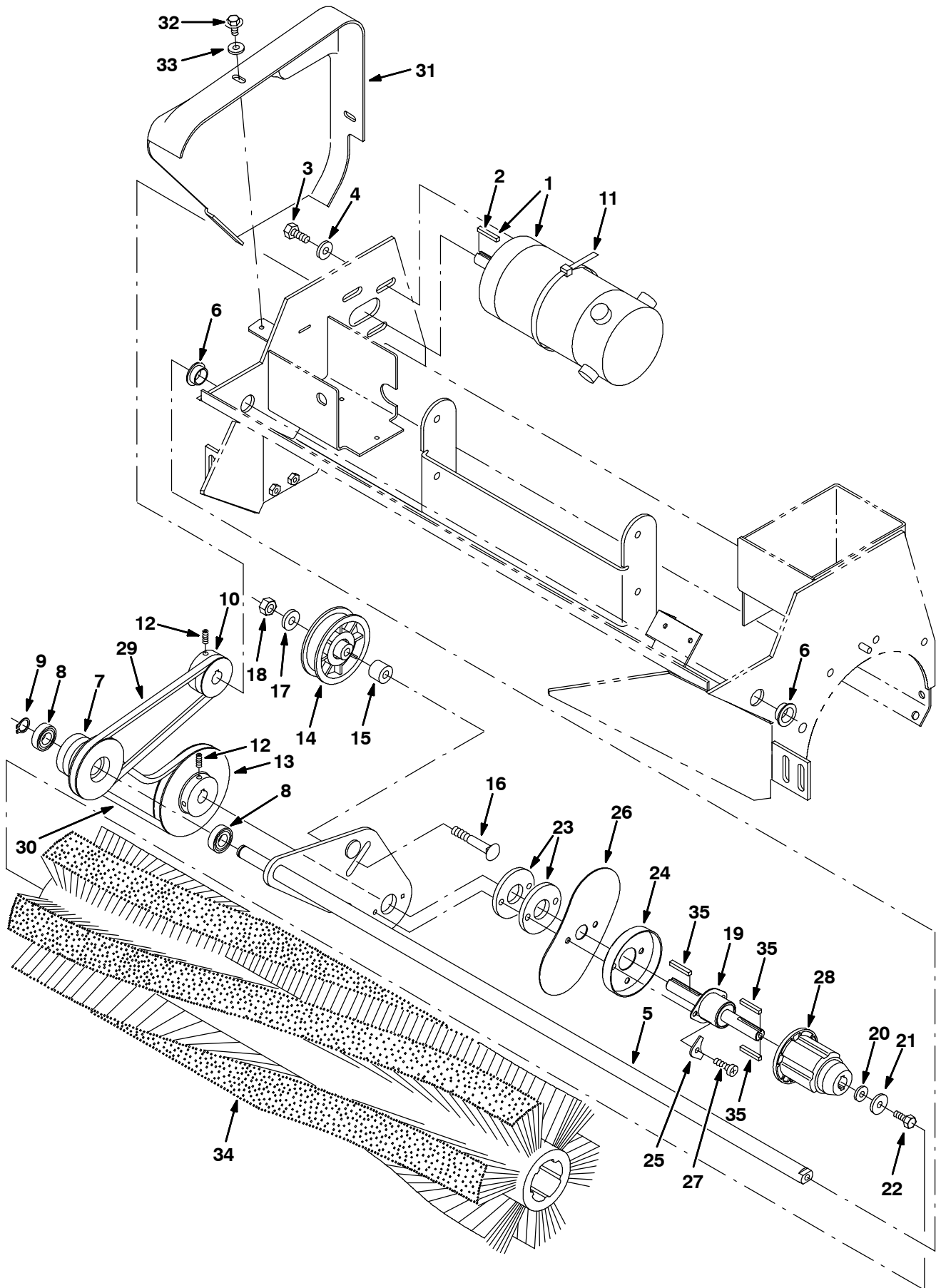
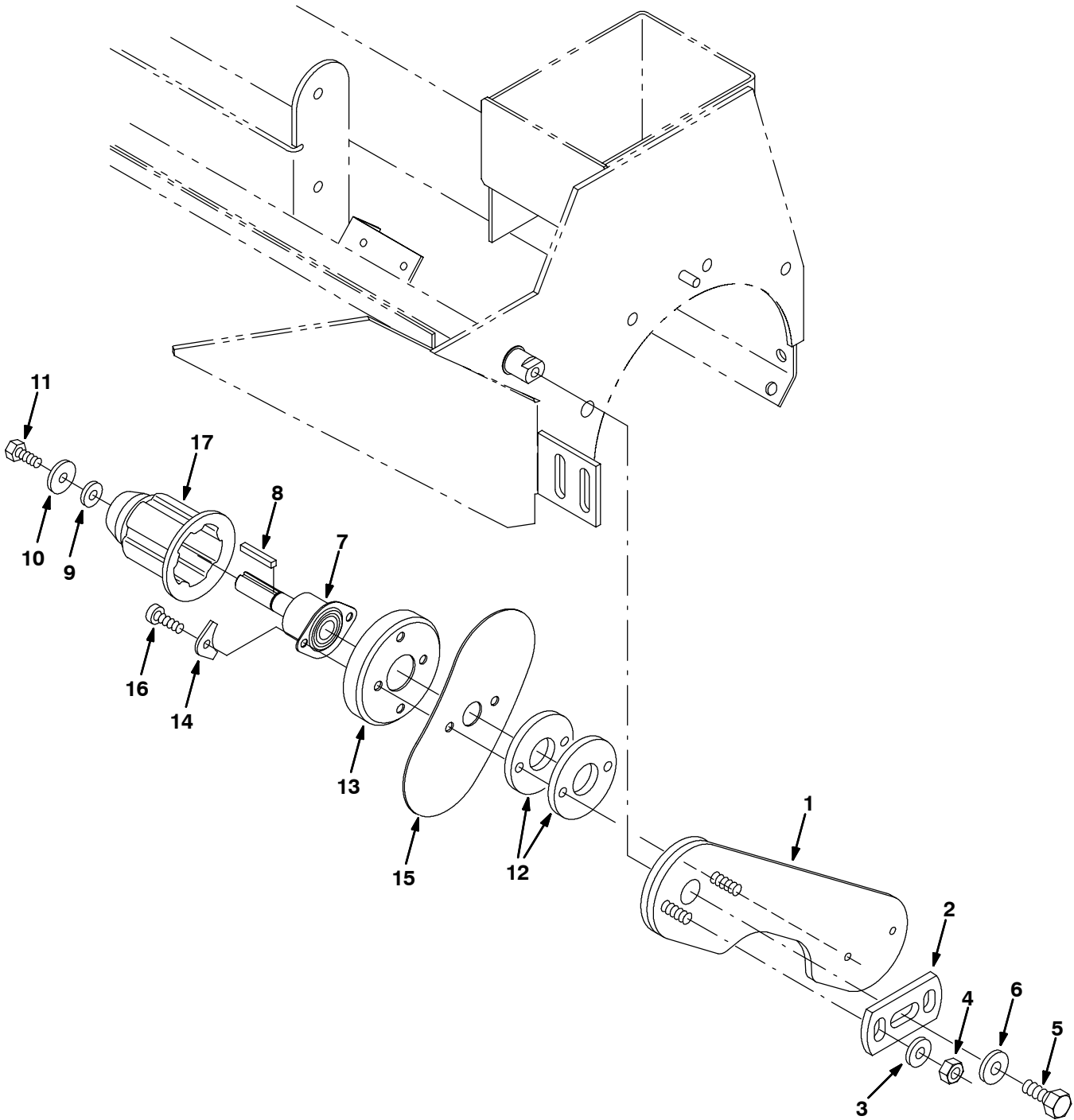




Fig. 46 - Pre-Sweep Brush Drive Group (008300- )

Ref.	Part No.	Serial Number	Description	Qty.
	1	81940	(008300- ) Motor, Ele, 36vdc 0.60hp 1800rpm . A (See Breakdowns)	1
▽	1	374266	(008300- ) Motor, Ele, 36vdc 1800rpm 0.60hp (See Breakdowns)	1
▲	2	00916	(008300- ) Key, Sq, 0.19 X 0.19, 1.50l	4
	3	16931	(008300- ) Screw, Hex, M8 X 1.25 X 20, 8.8	4
	4	41186	(008300- ) Washer, Flat, Belleville, .31	4
	5	392213	(008300- ) Arm Wldt, Brush, Main, Drive	1
	6	04928	(008300- ) Bushing, Flng, 0.50b 0.59d 0.38l	2
	7	392209	(008300- ) Sheave, 02grv, 01.9/03.0pd 01.3b [3l]	1
	8	41360	(008300- ) Bearing, Ball, 0.59b 1.26d 0.35w	2
	9	01516	(008300- ) Ring, Retaining, Ext, 0.59d, Basic	1
	10	392208	(008300- ) Sheave, 01grv, 01.9pd 0.62b [3l]	1
	11	763116	(008300- ) Tie, Cable, Nyl, 15.3l . W 4.5 Max D	1
	12	01750	(008300- ) Screw, Set, M6 X 1.0 X 16, Soc	4
	13	392207	(008300- ) Sheave, 01grv, 04.5pd 0.62b [3l]	1
	14	02356	(008300- ) Pulley, Idler W/ Bearing, Plstc	1
	15	392219	(008300- ) Tube, 0.38id 0.88od 00.7l, Stl, Pl	1
	16	01150	(008300- ) Bolt, Carriage, .38-16 X 2.50, 5	1
	17	01686	(008300- ) Washer, Flat, 0.44b 1.00d .08, Ss	1
	18	59156	(008300- ) Nut, Hex, Lock, .38-16, NI, Ss	1
	19	48748	(008300- ) Bearing Assy, W/ Shaft	1
	20	41185	(008300- ) Washer, Flat, Belleville, .25	1
	21	29570	(008300- ) Washer, Flat, 0.28b 1.00d .06, Stl	1
	22	11329	(008300- ) Screw, Hex, M6 X 1.0 X 16, Ss, NI	1
	23	392215	(008300- ) Spacer, Arm, Brush	2
	24	32720	(008300- ) Shield, Plug, Drive	1
	25	32408	(008300- ) Plate, Hold-Down	2
	26	392252	(008300- ) Plate, Seal, Dust	1
	27	382726	(008300- ) Screw, Pan, M6 X 1.00 X 25, 4.8	2
	28	12269	(008300- ) Plug, Drive, Brush, Nyl	1
	29	392240	(008300- ) Belt, V, 24.0l [3l]	1
	30	392241	(008300- ) Belt, V, 29.3l [3l]	1
	31	392234	(008300- ) Guard, Belt	1
	32	74455	(008300- ) Screw, Hex, M6 X 1.0 X 12, Fmg	2
	33	01684	(008300- ) Washer, Flat, 0.27b 0.69d .05, Ss	2
	34	392222	(008300- ) Brush, Swp, 32l, 6dr, Pyp, Spl	1
	35	00918	(008300- ) Key, Sq, 0.19 X 0.19, 1.25l	3

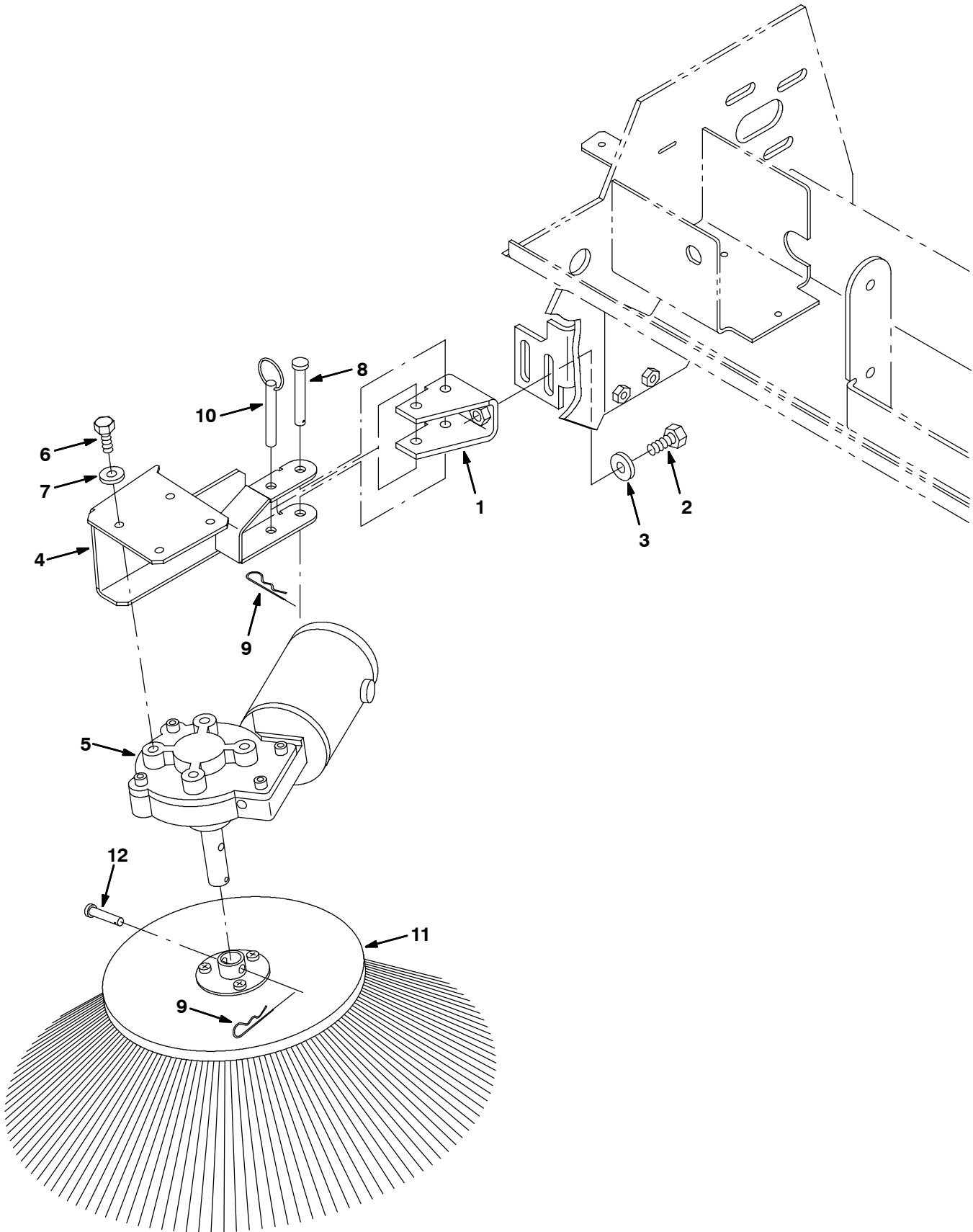
Fig. 47 - Pre-Sweep Brush Idler Group (008300- )



**Fig. 47 - Pre-Sweep Brush Idler Group (008300- )**

<b>Ref.</b>	<b>Part No.</b>	<b>Serial Number</b>	<b>Description</b>	<b>Qty.</b>
1	392214	(008300-	) Arm, Brush, Pre-Sweep, Idler, Lh	1
2	392216	(008300-	) Plate, Adj	1
3	32491	(008300-	) Washer, Flat, 0.31, Std	2
4	08713	(008300-	) Nut, Hex, Lock, M8 X 1.25, NI, Ss	2
5	10959	(008300-	) Screw, Hex, M10 X 1.5 X 20, Ss, NI	1
6	01686	(008300-	) Washer, Flat, 0.44b 1.00d .08, Ss	1
7	48749	(008300-	) Bearing Assy, W/ Shaft	1
8	00918	(008300-	) Key, Sq, 0.19 X 0.19, 1.25l	1
9	41185	(008300-	) Washer, Flat, Belleville, .25	1
10	29570	(008300-	) Washer, Flat, 0.28b 1.00d .06, Stl	1
11	11329	(008300-	) Screw, Hex, M6 X 1.0 X 16, Ss, NI	1
12	392215	(008300-	) Spacer, Arm, Brush	2
13	32720	(008300-	) Shield, Plug, Drive	1
14	32408	(008300-	) Plate, Hold-Down	2
15	392252	(008300-	) Plate, Seal, Dust	1
16	382726	(008300-	) Screw, Pan, M6 X 1.00 X 25, 4.8	2
17	12269	(008300-	) Plug, Drive, Brush, Nyl	1

Fig. 48 - Pre-Sweep Side Brush Group (008300- )



**Fig. 48 - Pre-Sweep Side Brush Group (008300- )**

Ref.	Part No.	Serial Number	Description	Qty.	
1	392154	(008300-	) Channel, .18, 1.5w 2.6 01.9l, 2/ M8	1	
2	09740	(008300-	) Screw, Hex, M8 X 1.25 X 20, Ss	2	
3	41186	(008300-	) Washer, Flat, Belleville, .31	2	
4	392238	(008300-	) Arm Wldt, Brush, Side, Rh	1	
▽	5	1008274	(008300-	) Motor, Ele, 36vdc 0068rpm 0.08hp Gear	1
▲	81919	(008300-	) Brush Assy, Carbon, Motor, Ele	2	
▲	80127	(008300-	) Cap, Brush, Motor, Ele	2	
▲	369795	(008300-	) Brushholder, Motor, Ele	2	
▲	369796	(008300-	) Clip, Motor, Ele	2	
6	15678	(008300-	) Screw, Hex, M6 X 1.0 X 16, Ss	4	
7	32483	(008300-	) Washer, Flat, 0.25, Sae	4	
8	392244	(008300-	) Pin, Clevis, 0.31d X 2.12l	1	
9	08085	(008300-	) Pin, Cotter, Hair, 0.31d .058 Wir	2	
10	392232	(008300-	) Pin, Detent, 0.31d X 02.1l	1	
11	28096P	(008300-	) Brush Assy, Disk, Swp, 15.0 D, Pyp	1	
12	15173	(008300-	) Pin, Clevis, 0.25d X 1.25l	1	

Fig. 49 - Pre-Sweep Dust Control Group (008300- )

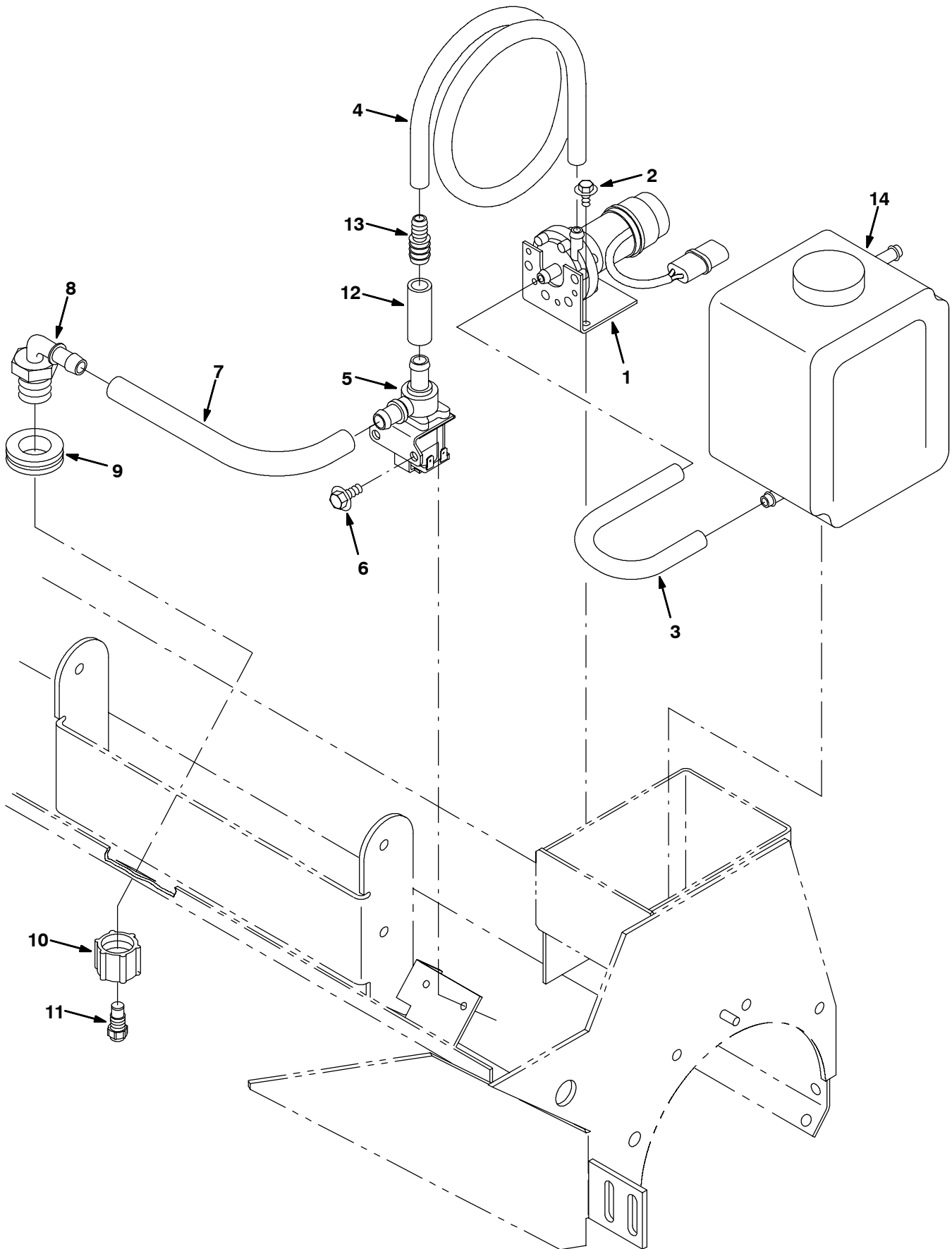


Fig. 49 - Pre-Sweep Dust Control Group (008300- )

Ref.	Part No.	Serial Number	Description	Qty.
1	223496	(008300-	) Pump, Water, 36vdc	1
2	223198	(008300-	) Screw, Hex, M5 X 0.8 X 10, Fmg	2
3	392258	(008300-	) Hose, Pvc, Clr, 0.38id 0.56od 013.0l	1
4	73471	(008300-	) Hose, Pvc, Clr, 0.38id 0.56od 022.0l	1
5	222113	(008300-	) Valve, Water, Solenoid, 36vdc Bm10/Bm10	1
6	222158	(008300-	) Screw, Hex, M6 X 1.0 X 10, Fmg	2
7	392254	(008300-	) Hose, Pvc, Brd, 0.50id 0.73od 012.0l,Clr	1
8	63244-3	(008300-	) Fitting, Plstc, E90, Bm08/Pm12	1
9	10632-14	(008300-	) Grommet, Rbr, 1.00id, F/1.4h, .12 Matl	1
10	79451	(008300-	) Fitting, Plstc, Cap, Pf02/Pf12, Spcl	1
11	392173	(008300-	) Nozzle, Spray	1
12	392256	(008300-	) Hose, Pvc, Brd, 0.50id 0.73od 002.0l,Clr	1
13	222375	(008300-	) Fitting, Plstc, Str, Bm06/Bm08	1
14	768897	(008300-	) Tank, Recvy, Coolant, 2.5qt	1
	614265		Kit, Water, Valve, Rebuild	1

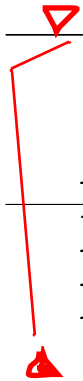


Fig. 50 - Pre-Sweep Electrical Group (008300- )

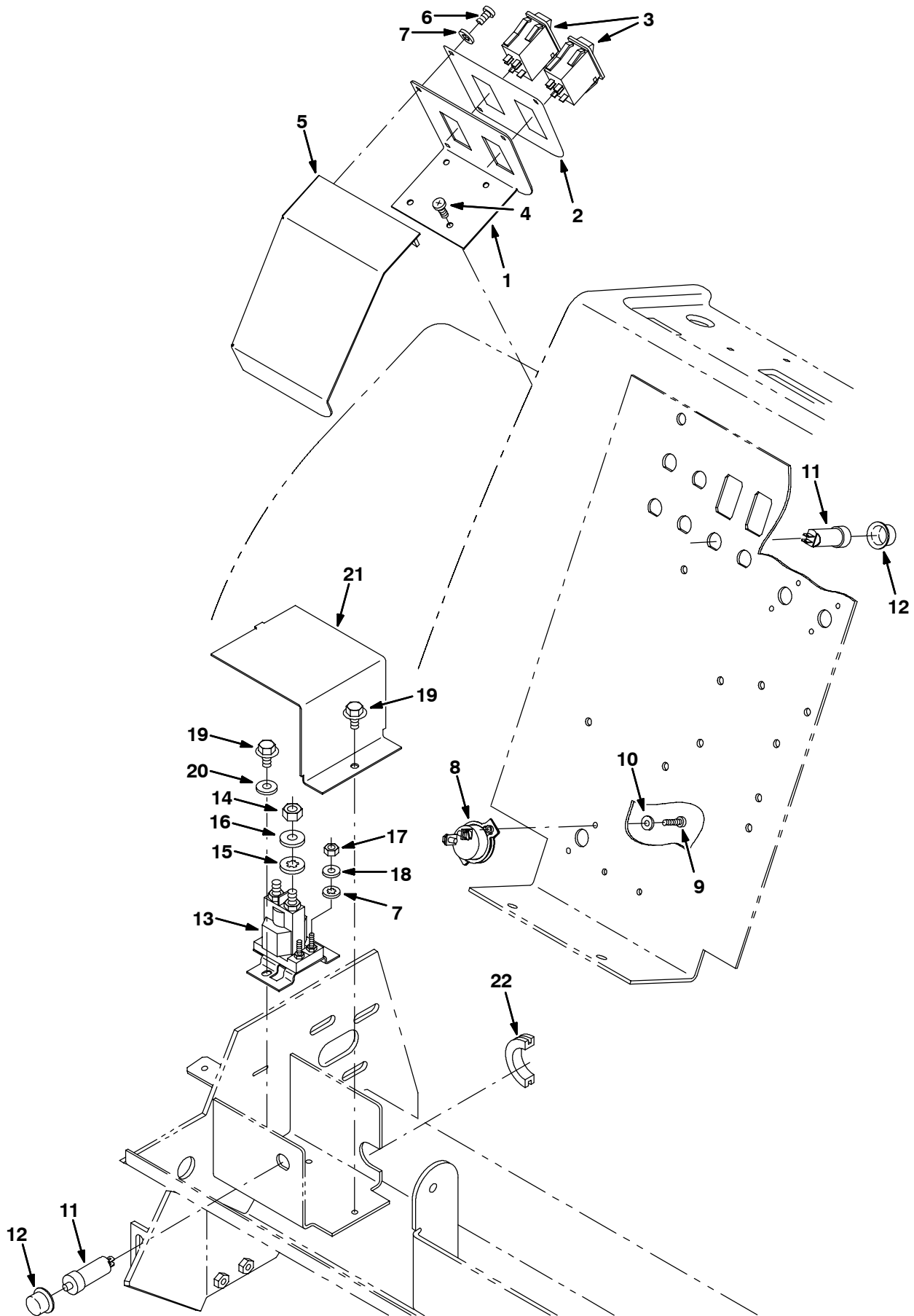
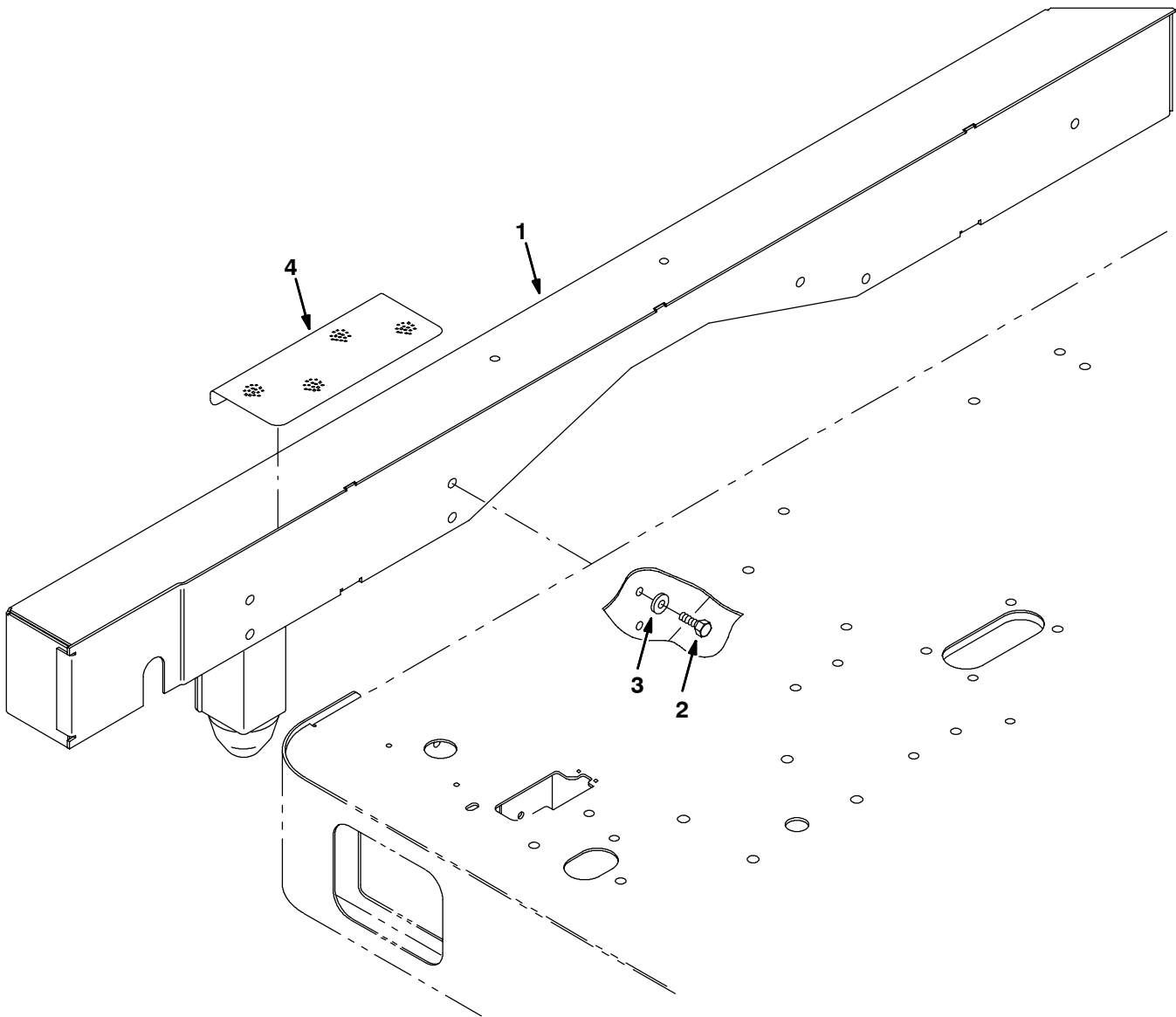




Fig. 50 - Pre-Sweep Electrical Group (008300- )

Ref.	Part No.	Serial Number	Description	Qty.
1	392146	(008300-	) Panel, Switch	1
2	392152	(008300-	) Label, Opertnl, Pre-Sweep	1
3	398500	(008300-	) Switch, Rocker, Dpdt, On / None / On	2
4	222481	(008300-	) Screw, Pan, #10-14 X 0.50, F/ Plstc	4
5	392147	(008300-	) Cover, Panl	1
6	39648	(008300-	) Screw, Pan, #10-24 X 0.38, G1	3
7	32980	(008300-	) Washer, Lock, Int, #10	5
8	222297	(008300-	) Circuitbreaker, 25.0a, Resetable	1
9	32516	(008300-	) Screw, Pan, #08-32 X 0.50, G1	2
10	19065	(008300-	) Washer, Flat, #08	2
11	57164	(008300-	) Circuitbreaker, 10.0a, Resetable	2
12	57751	(008300-	) Boot, Dome, .72id .72l, Clear	2
13	386810	(008300-	) Contactor, 36vdc, 100a, Sp, No	1
14	20170	(008300-	) Nut, Hex, Jam, .31-24	2
15	32984	(008300-	) Washer, Lock, Int, 0.31	2
16	39349	(008300-	) Washer, Flat, 0.31, Sae	2
17	01713	(008300-	) Nut, Hex, Std, #10-32, 2	2
18	19324	(008300-	) Washer, Flat, #10, Sae	2
19	74455	(008300-	) Screw, Hex, M6 X 1.0 X 12, Fmg	3
20	32483	(008300-	) Washer, Flat, 0.25, Sae	2
21	392247	(008300-	) Cover, Relay	1
22	04051	(008300-	) Grommet, Rbr, 1.31id, F/1.6h, .12 Matl	1

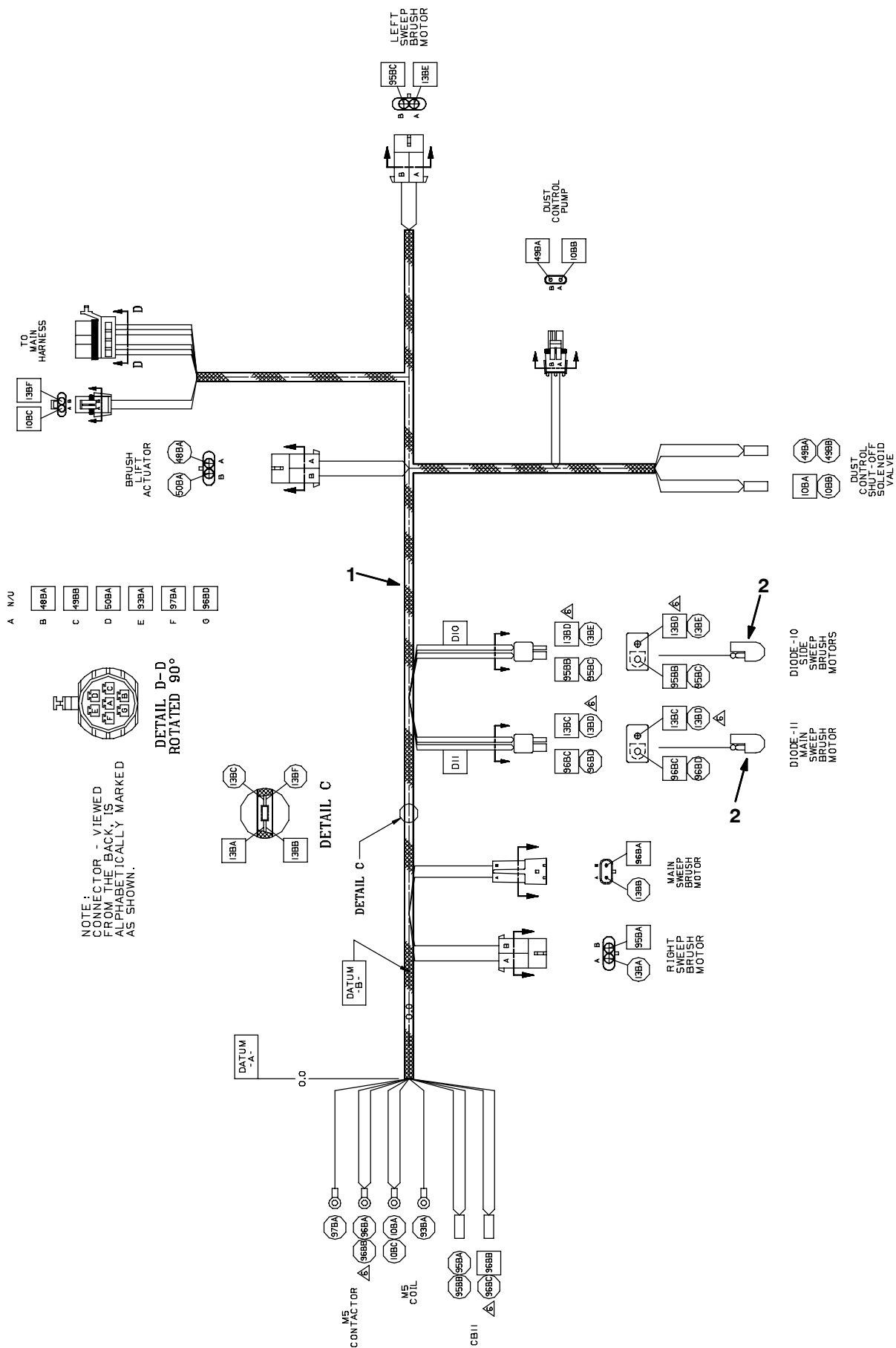
Fig. 51 - Pre-Sweep Bumper Group (008300- )



**Fig. 51 - Pre-Sweep Bumper Group (008300- )**

<b>Ref.</b>	<b>Part No.</b>	<b>Serial Number</b>	<b>Description</b>	<b>Qty.</b>
1	392169	(008300-	) Bumper Wldt, Side	1
2	09010	(008300-	) Screw, Hex, M8 X 1.25 X 25, Ss	7
3	32491	(008300-	) Washer, Flat, 0.31, Std	7
4	223350	(008300-	) Tread, Non-Skid, 04.5w 10.0l	1

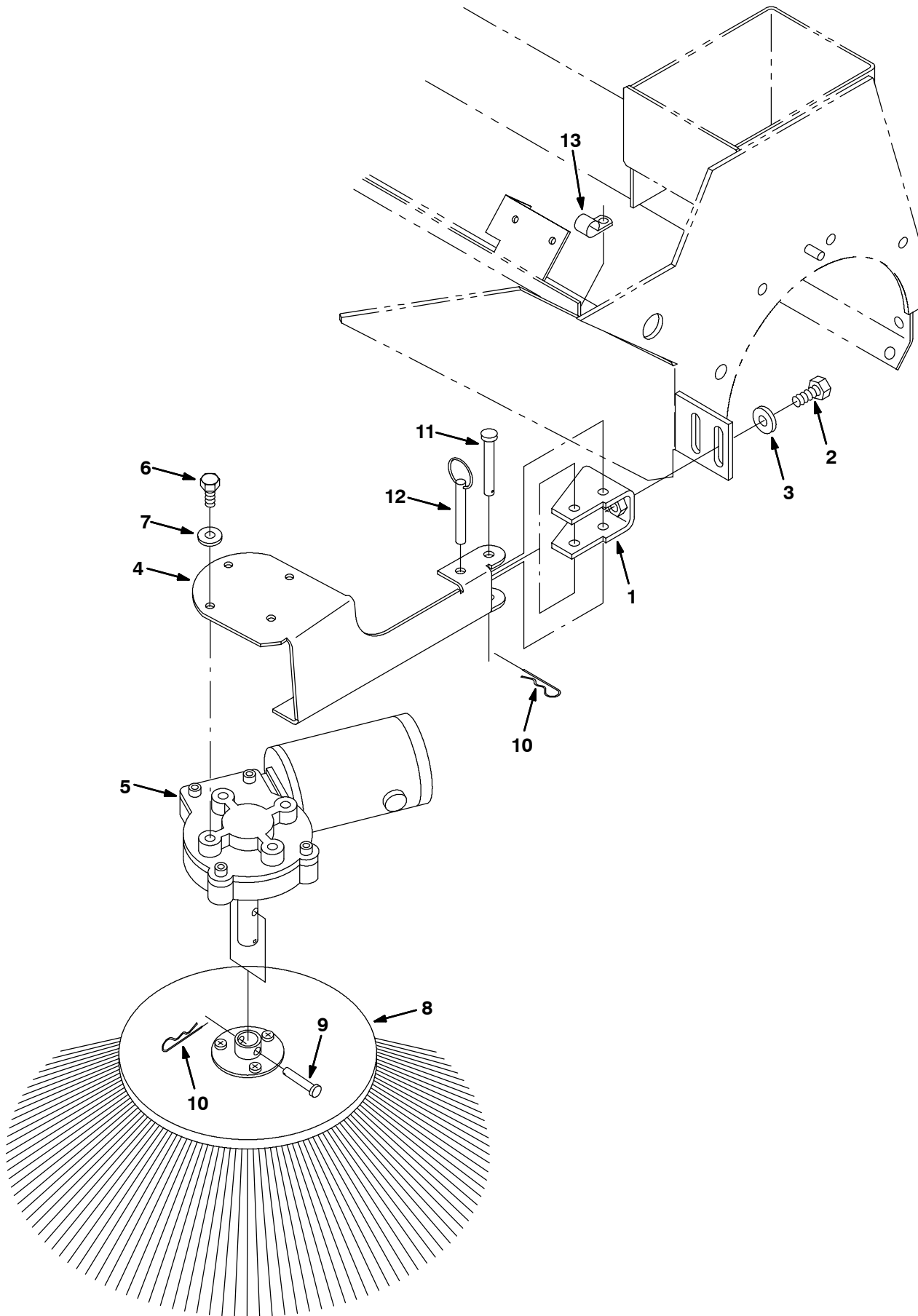
Fig. 52 - Pre-Sweep Wire Harness Group (008300- )



**Fig. 52 - Pre-Sweep Wire Harnesses Group (008300- )**

<b>Ref.</b>	<b>Part No.</b>	<b>Serial Number</b>	<b>Description</b>	<b>Qty.</b>
1	392182	(008300-	) Harness, Swpr [7200 N.W.]	1
2	222290	(008300-	) Diode, Ele, Plug	2
	763115	(008300-	) Tie, Cable, 6.0l, 1.25d Max	3

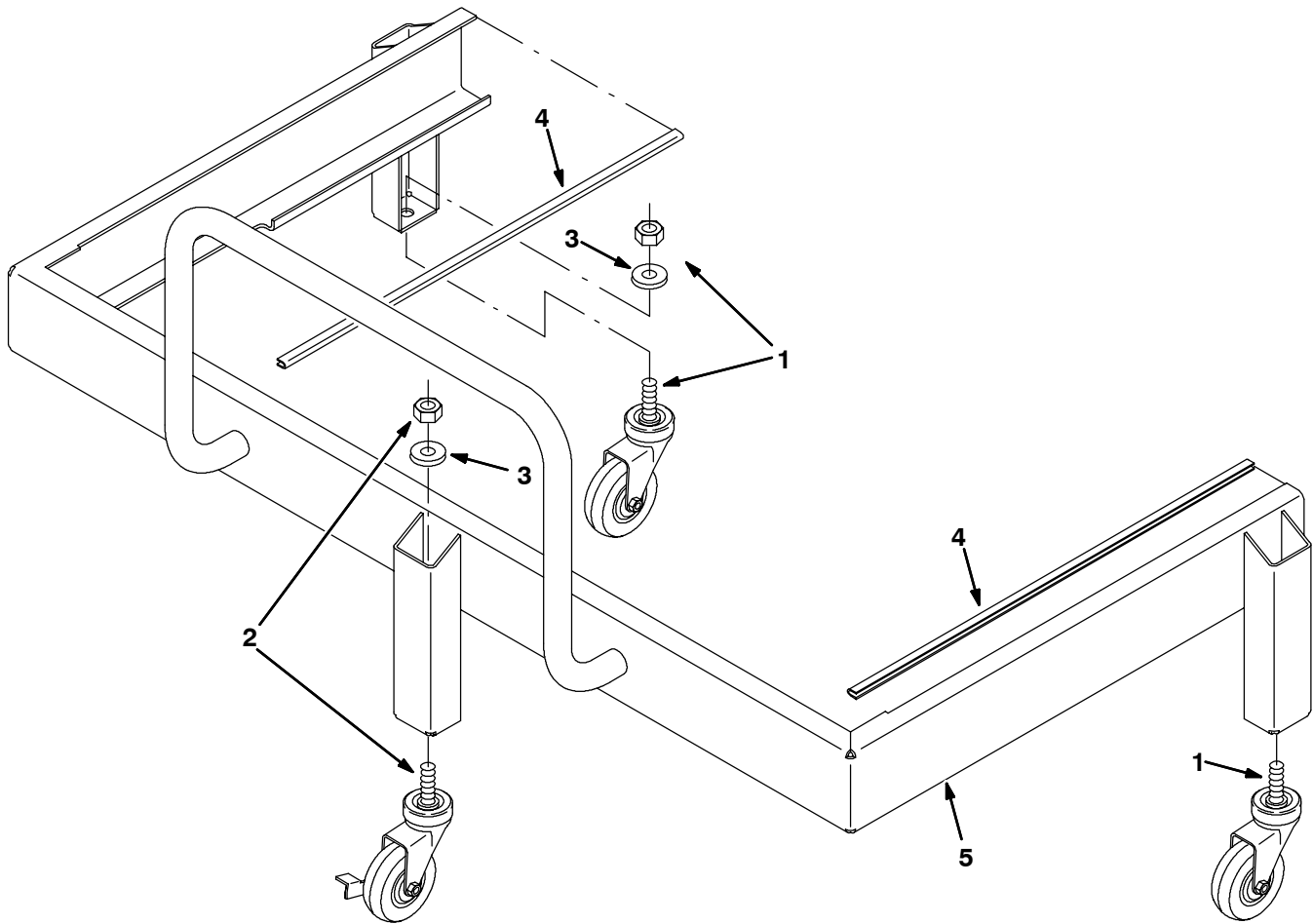
Fig. 53 - Pre-Sweep Side Brush Kit, Left Hand (008300- )



**Fig. 53 - Pre-Sweep Side Brush Kit, Left Hand (008300- )**

	<b>Ref.</b>	<b>Part No.</b>	<b>Serial Number</b>	<b>Description</b>	<b>Qty.</b>
▽		392104	(008300-	) Brush Kit, Side, Lh, Ci	1
▲	1	392154	(008300-	) Channel, .18, 1.5w 2.6 01.9l, 2/ M8	1
▲	2	09740	(008300-	) Screw, Hex, M8 X 1.25 X 20, Ss	2
▲	3	41186	(008300-	) Washer, Flat, Belleville, .31	2
▲	4	392166	(008300-	) Arm, Brush, Side, Lh	1
▲▽	5	1008275	(008300-	) Motor, Ele, 36vdc 0068rpm 0.08hp Gear	1
▲▲		81919	(008300-	) Brush Assy, Carbon, Motor, Ele	1
▲▲		80127	(008300-	) Cap, Brush, Motor, Ele	2
▲▲		369795	(008300-	) Brushholder, Motor, Ele	2
▲▲		369796	(008300-	) Clip, Motor, Ele	2
▲	6	15678	(008300-	) Screw, Hex, M6 X 1.0 X 16, Ss	4
▲	7	32483	(008300-	) Washer, Flat, 0.25, Sae	4
▲	8	28096P	(008300-	) Brush Assy, Disk, Swp, 15.0 D, Pyp	1
▲	9	15173	(008300-	) Pin, Clevis, 0.25d X 1.25l	1
▲	10	08085	(008300-	) Pin, Cotter, Hair, 0.31d .058 Wir	2
▲	11	392244	(008300-	) Pin, Clevis, 0.31d X 2.12l	1
▲	12	392232	(008300-	) Pin, Detent, 0.31d X 02.1l	1
▲	13	26395-1	(008300-	) Clamp, Cable, Stl, 0.56d X 0.38w, 1hole	1

Fig. 54 - Pre-Sweep Dolly Kit, (008300- )

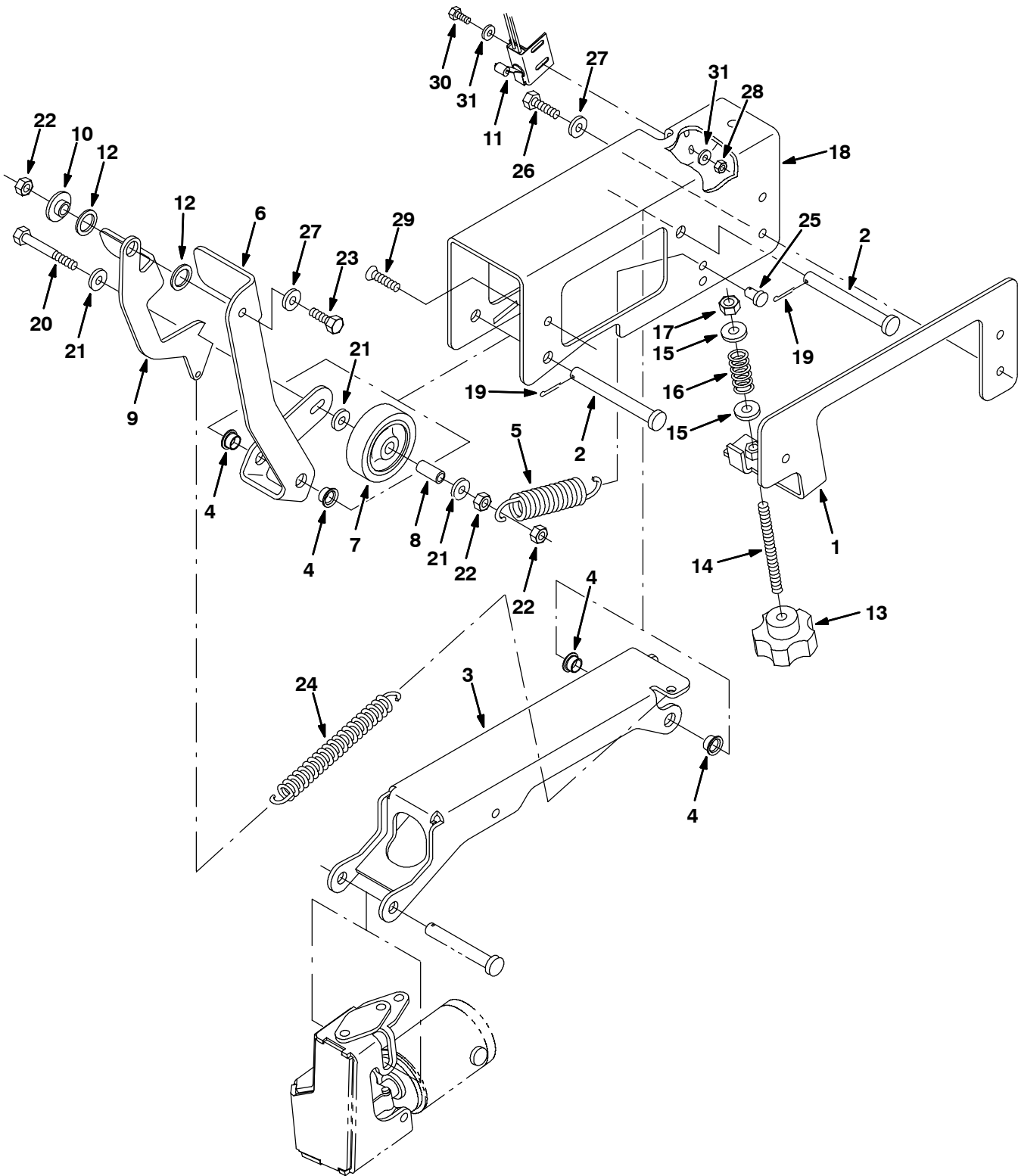




**Fig. 54 - Pre-Sweep Dolly Kit, (008300- )**

	<b>Ref.</b>	<b>Part No.</b>	<b>Serial Number</b>	<b>Description</b>	<b>Qty.</b>
▽		393080	(008300-	) Dolly Assy Kit, Ci [Pre-Sweep 7200]	1
▲	1	393077	(008300-	) Caster, Swivel, 3.0d 1.0w, .50-13 Stem	2
▲	2	393078	(008300-	) Caster, Swivel, 3.0d 1.0w, Stem W/ Brake	1
▲	3	32493	(008300-	) Washer, Flat, 0.50, Std	3
▲	4	393083	(008300-	) Molding, Trim, .08-.11 20.0l	2
▲	5	393071	(008300-	) Channel Wldt, Dolly	1

Fig. 55 - Side Brush Lift Group

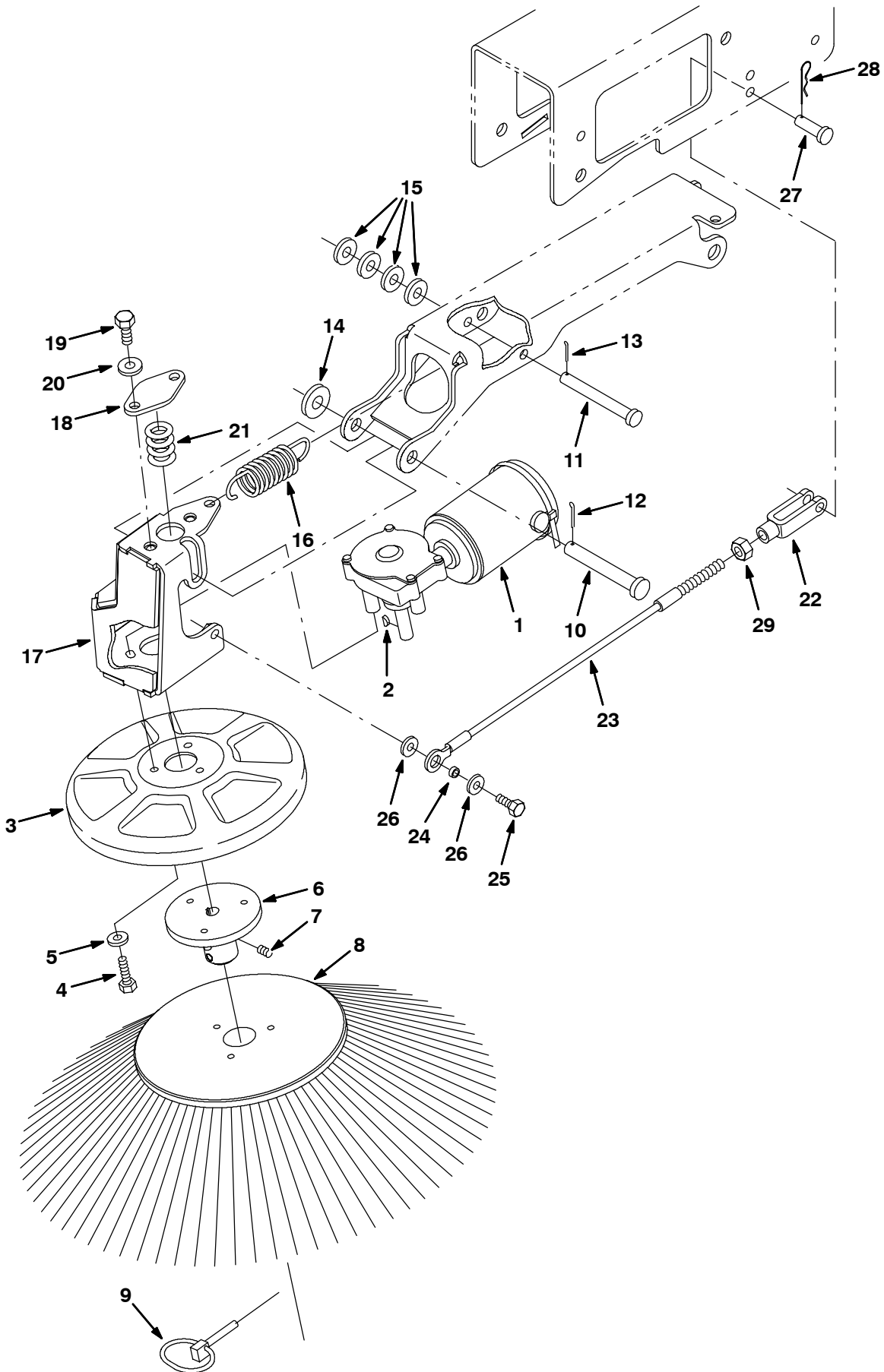


**Fig. 55 - Side Brush Lift Group**

*NOTE: Right Hand Side Brush Kit, Part Number 392106, includes Fig. 55, Fig. 56, Fig. 57, and Fig. 58.*

<b>Ref.</b>	<b>Part No.</b>	<b>Serial Number</b>	<b>Description</b>	<b>Qty.</b>
1	392277	(000000-	) Plate, Brush, Side	1
2	59668	(000000-	) Pin, Clevis, 0.50d X 4.50l	2
3	392267	(000000-	) Arm, Brush, Side	1
4	15648	(000000-	) Bushing, Flng, 0.50b 0.59d 0.38l	4
5	41698	(000000-	) Spring, Extn, 0.75od 0.08wir 04.5l	1
6	392268	(000000-	) Arm, Brush, Side, Lift	1
7	81582	(000000-	) Wheel, 03.0d 0.87w 0.44b, Rbr, Pp Core	1
8	383910	(000000-	) Sleeve, P/M, 0.31b 0.44d 1.1l [430ss]	1
9	392269	(000000-	) Arm, Brake, Side Brush	1
10	363087	(000000-	) Bushing, Flng, 0.44b 1.25d 0.25l	1
11	59965	(000000-	) Switch, Snap, 15a No, Rlr	1
12	630358	(000000-	) Washer, Flat, 0.75b 1.00d .03, Nyl	2
13	41341	(000000-	) Knob, Star, 2.50d 5ear 1.5l .38-16,Plstc	1
14	387151	(000000-	) Shaft, Thrd	1
15	41187	(000000-	) Washer, Flat, Belleville, .38	2
16	22290	(000000-	) Spring, Cmpr, 0.72od .06wir 02.3l	1
17	59156	(000000-	) Nut, Hex, Lock, .38-16, NI, Ss	1
18	392270	(000000-	) Plate, Brush, Side	1
19	08182	(000000-	) Pin, Cotter, .125 X 1.00	2
20	222504	(000000-	) Screw, Hex, M8 X 1.25 X 55, Ss	1
21	32490	(000000-	) Washer, Flat, 0.25, Std	3
22	08709	(000000-	) Nut, Hex, Lock, M8 X 1.25, NI	3
23	09010	(000000-	) Screw, Hex, M8 X 1.25 X 25, Ss	1
24	36619	(000000-	) Spring, Extn, 0.50od 0.06wir 05.0l	1
25	41305	(000000-	) Pin, Clevis, 0.37d X 0.75l	1
26	39277	(000000-	) Screw, Hex, M8 X 1.25 X 25, 8.8	2
27	32490	(000000-	) Washer, Flat, 0.25, Std	3
28	09739	(000000-	) Nut, Hex, Lock, M5 X 0.80, NI, Ss	2
29	79246	(000000-	) Screw, Flt, M8 X 1.25 X 20, Ss 18-8	1
30	24199	(000000-	) Screw, Hex, M5 X 0.8 X 16, Ss	2
31	01683	(000000-	) Washer, Flat, 0.22b 0.50d .05, Ss [#10]	4

Fig. 56 - Side Brush Motor Group

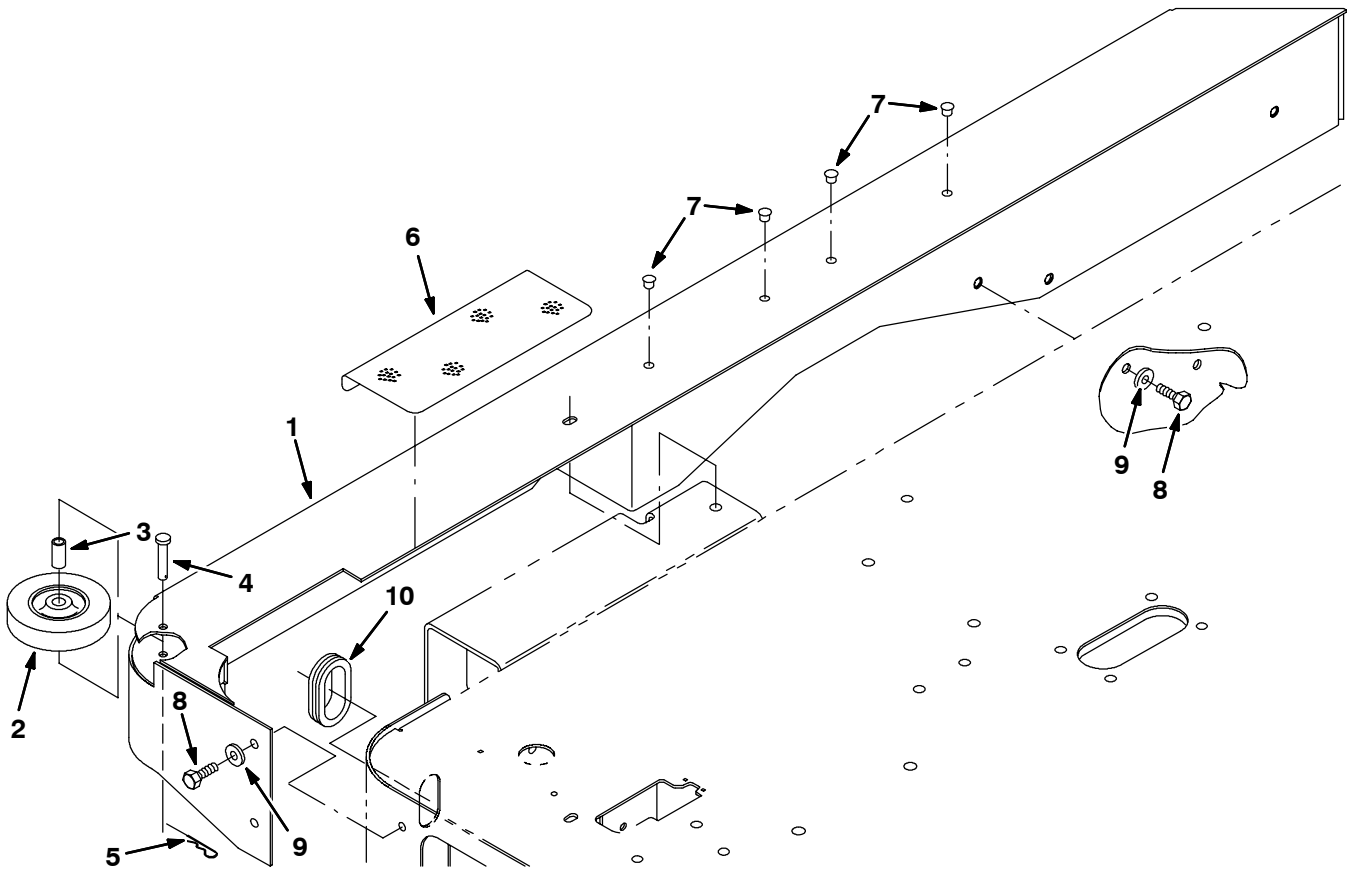


**Fig. 56 - Side Brush Motor Group**

*NOTE: Right Hand Side Brush Kit, Part Number 392106, includes Fig. 55, Fig. 56, Fig. 57, and Fig. 58.*

<b>Ref.</b>	<b>Part No.</b>	<b>Serial Number</b>	<b>Description</b>	<b>Qty.</b>
1	399524	(000000-011045 )	Motor, Ele, 36vdc 67rpm, Rh Side (Repl by 9003011)	1
1	1034262	(011046- )	Motor, Ele, 36vdc 0067rpm, Gear	1
2	397061	(000000- )	Key, Woodruff, 3mm 3.7mm	1
3	397034	(000000- )	Guard, Bmpr, Brush	1
4	06944	(000000- )	Screw, Hex, M6 X 1.0 X 25, 8.8	3
5	32490	(000000- )	Washer, Flat, 0.25, Std	3
6	397200	(000000- )	Hub, Broom, Side	1
7	09162	(000000- )	Screw, Set, M6 X 1.0 X 8, NI	1
8	397056	(000000- )	Brush Assy, Disk, Swp, 17.5d, Pyp	1
9	397064	(000000- )	Pin, Retainer	1
10	06474A	(000000- )	Pin, Clevis, 0.50d X 3.50l	1
11	72084	(000000- )	Pin, Clevis, 0.37d X 3.50l	1
12	08182	(000000- )	Pin, Cotter, .125 X 1.00	1
13	08179	(000000- )	Pin, Cotter, .094 X 1.00	1
14	32486	(000000- )	Washer, Flat, 0.50, Sae	1
15	32491	(000000- )	Washer, Flat, 0.31, Std	4
16	09480	(000000- )	Spring, Extn, 1.10od 0.15wir 03.2l	1
17	1031717	(000000- )	Bracket Wldt, Mtg, Motor	1
18	392266	(000000- )	Plate, Brush, Side	1
19	16931	(000000- )	Screw, Hex, M8 X 1.25 X 20, 8.8	2
20	32490	(000000- )	Washer, Flat, 0.25, Std	2
21	360357	(000000- )	Spring, Dsl, 1.00od 0.50id 1.25l	1
22	12267	(000000- )	Clevis, Adj, 0.38pin, M10x1.5	1
23	77335	(000000- )	Cable, Glv .13d 014.9l .41eye / M10	1
24	80491	(000000- )	Sleeve, P/M, 0.25b 0.38d 0.2l [430ss]	1
25	12274	(000000- )	Screw, Hex, M6 X 1.0 X 20, 8.8, NI	1
26	32483	(000000- )	Washer, Flat, 0.25, Sae	2
27	46657	(000000- )	Pin, Clevis, 0.37d X 1.25l	1
28	86866	(000000- )	Pin, Cotter, Hair, 0.38d .072 Wir	1
29	39312	(000000- )	Nut, Hex, Std, M10 X 1.50	1

**Fig. 57 - Side Brush Bumper Group**

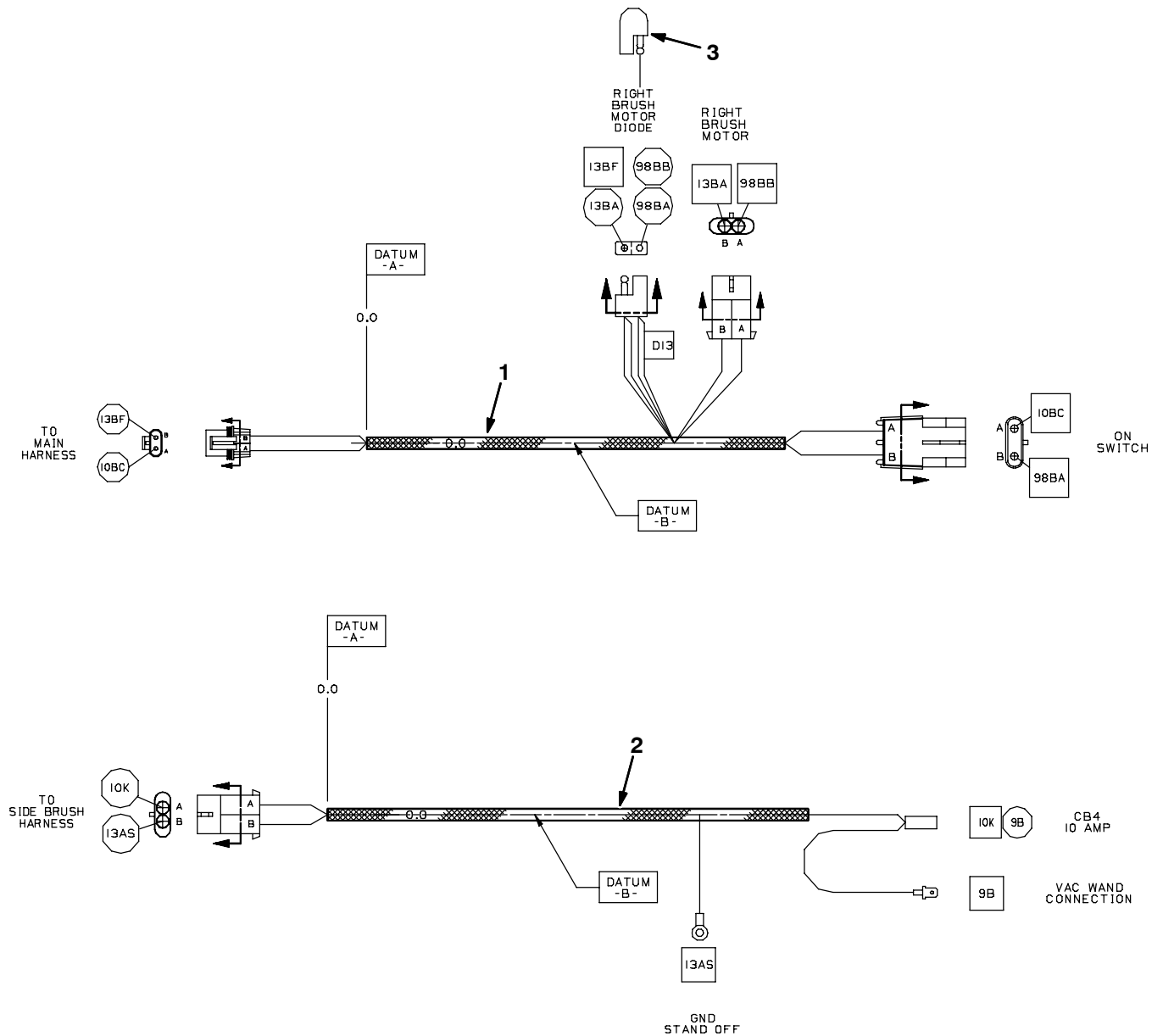


353424 - NA

NOTE: Right Hand Side Brush Kit, Part Number 392106, includes Fig. 55, Fig. 56, Fig. 57, and Fig. 58.

Ref.	Part No.	Serial Number	Description	Qty.
1	392283	(000000-	) Housing Wldt, Bmpr, Side	1
2	81580	(000000-	) Wheel, Pyp, 04.0d 0.87w 0.44b	1
3	383910	(000000-	) Sleeve, P/M, 0.31b 0.44d 1.1l [430ss]	1
4	81581	(000000-	) Pin, Clevis, 0.31d X 1.75l	1
5	08085	(000000-	) Pin, Cotter, Hair, 0.31d .058 Wir	1
6	223350	(000000-	) Tread, Non-Skid, 04.5w 10.0l	1
7	01314	(000000-	) Plug, Hole, Rnd, 0.38h .03-.12, Blk Nyl	4
8	09010	(000000-	) Screw, Hex, M8 X 1.25 X 25, Ss	6
9	32491	(000000-	) Washer, Flat, 0.31, Std	6
10	10632-13	(000000-	) Grommet, Rbr, 1.50id, F/1.8h, .19 Matl	1

Fig. 58 - Side Brush Wire Harnesses Group

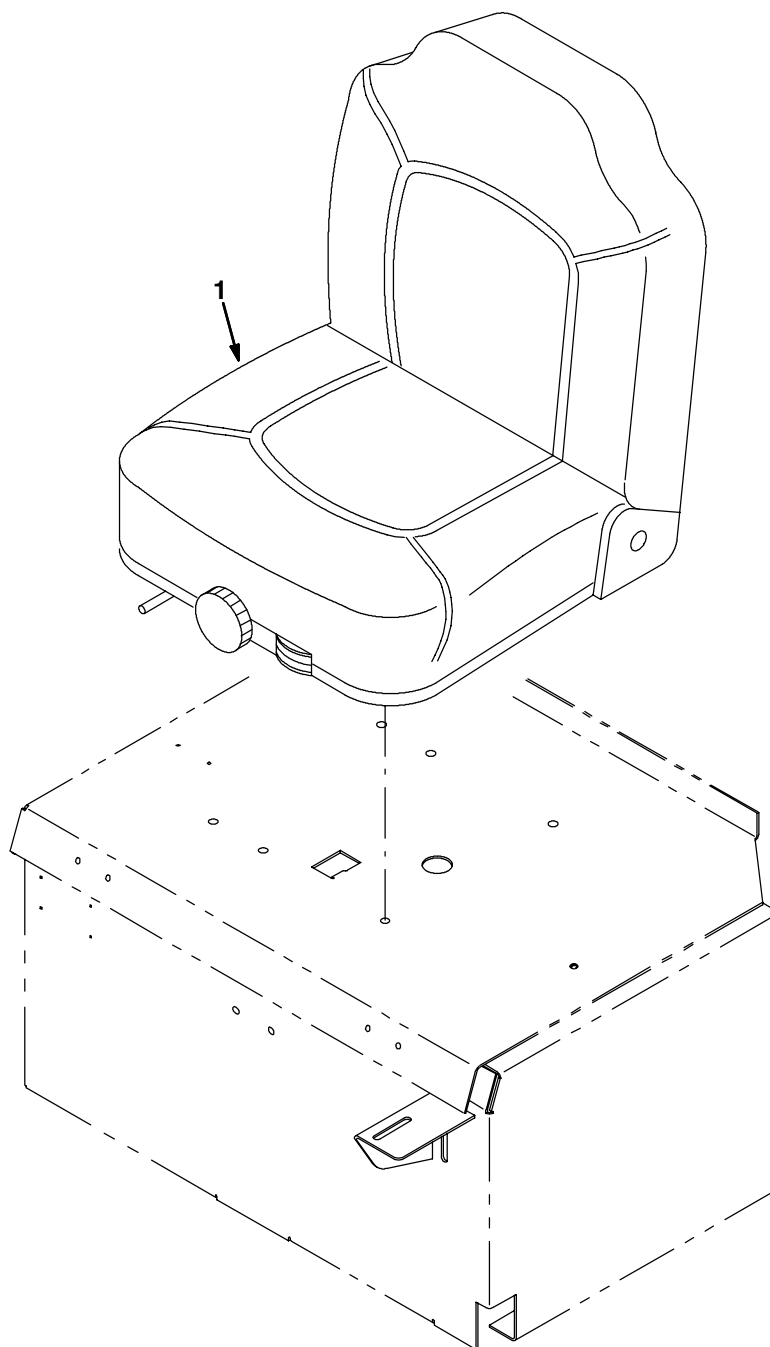


353425 - NA

NOTE: Right Hand Side Brush Kit, Part Number 392106, includes Fig. 55, Fig. 56, Fig. 57, and Fig. 58.

Ref.	Part No.	Serial Number	Description	Qty.
1	392183	(000000- )	Harness, Sba, Rh [7200]	1
2	392293	(000000- )	Harness, Sba, Retrofit [7200]	1
3	222290	(000000- )	Diode, Ele, Plug	1
	763115	(000000- )	Tie, Cable, 6.0l, 1.25d Max	4

**Fig. 59 - Suspension Seat Kit**

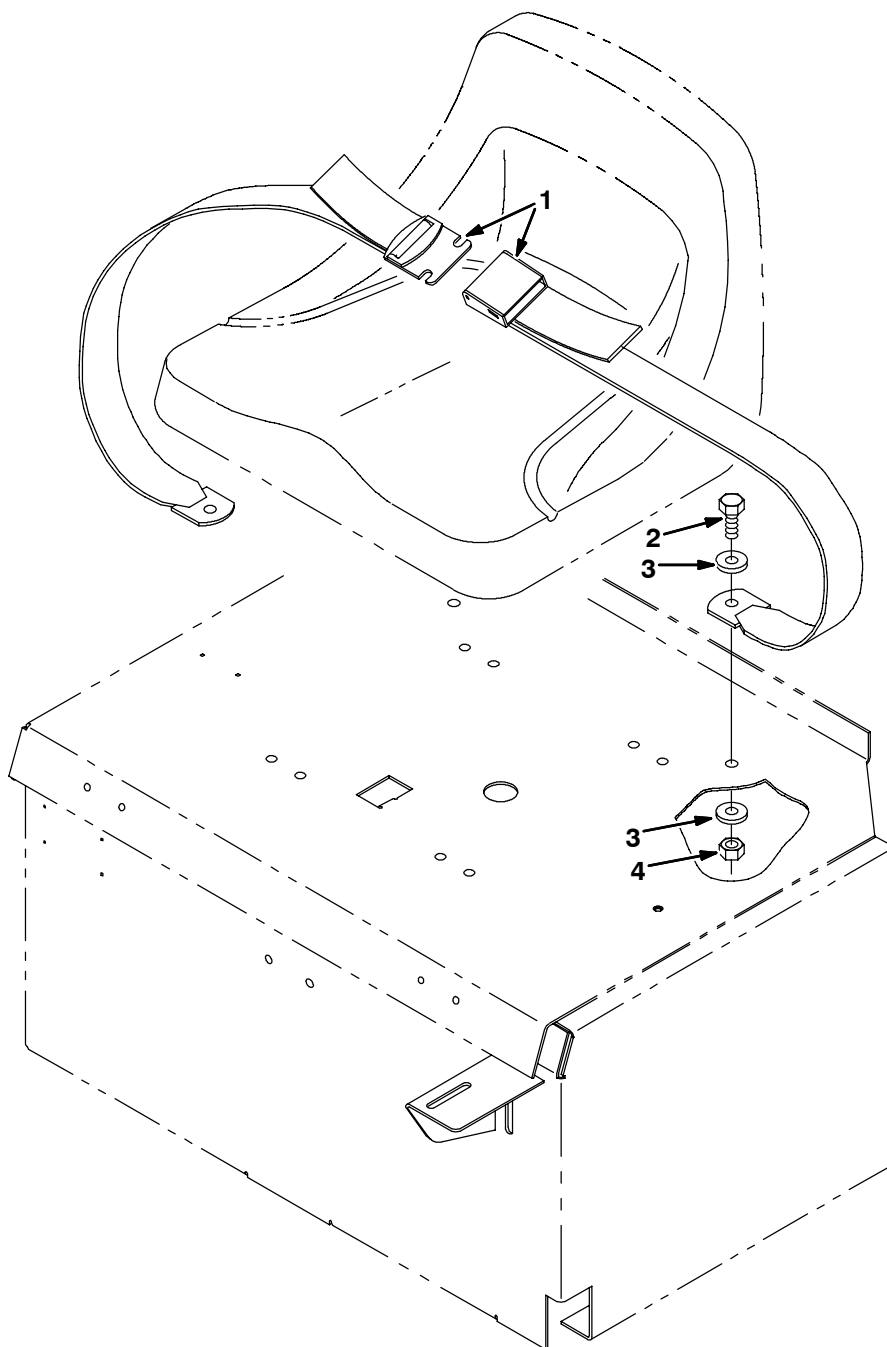


350794 - ALL

	<b>Ref.</b>	<b>Part No.</b>	<b>Serial Number</b>	<b>Description</b>	<b>Qty.</b>
▽		223597	(000000-	) Seat Kit, Suspension, Ci [7200]	1
▲	1	223595	(000000-	) Seat, Suspension [Michigan Model V-5200]	1



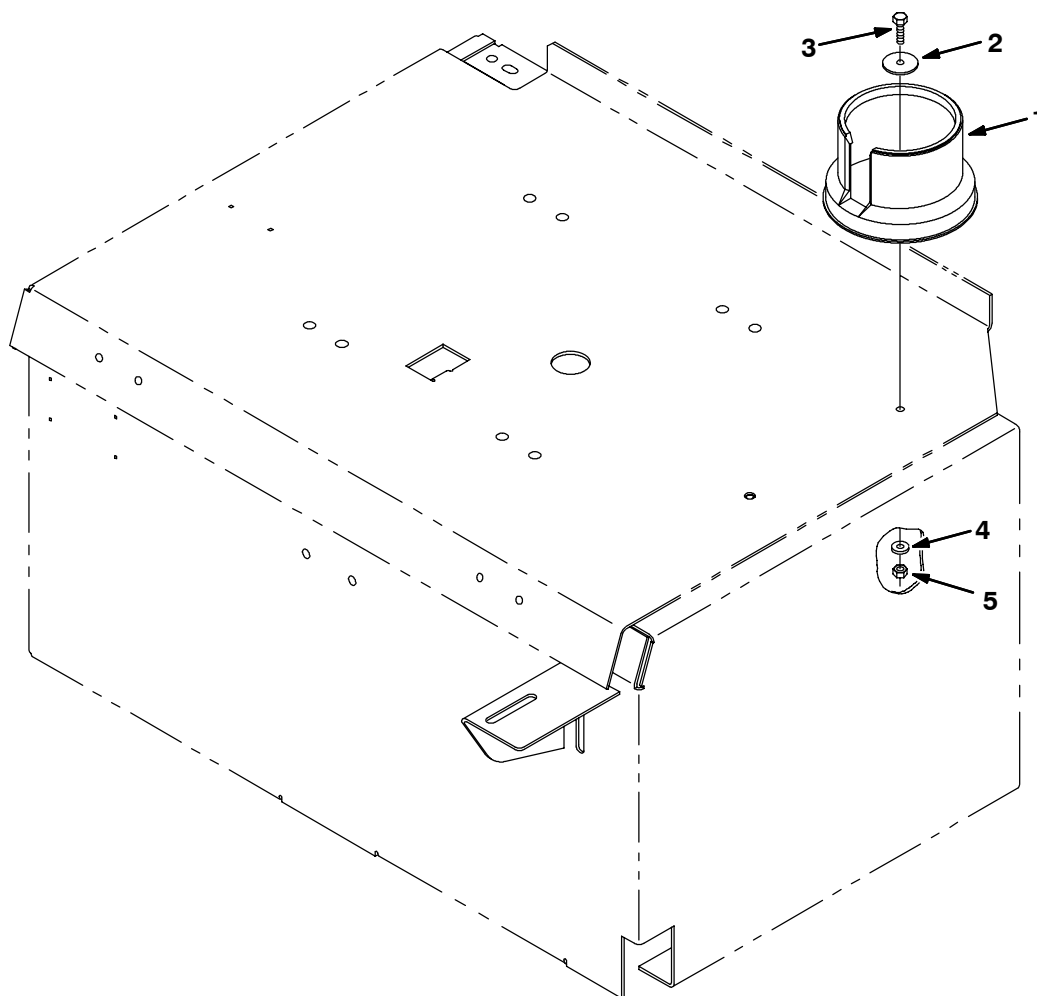
Fig. 60 - Seat Belt Kit



352766 - NA

	Ref.	Part No.	Serial Number	Description	Qty.
▽		223695	(000000-	) Seatbelt Kit, Ci [7200]	1
▲	1	30533	(000000-	) Seatbelt, 60.0l	1
▲	2	41345	(000000-	) Screw, Hex, M12 X 1.75 X 25, 8.8	2
▲	3	32486	(000000-	) Washer, Flat, 0.50, Sae	4
▲	4	08711	(000000-	) Nut, Hex, Lock, M12 X 1.75,NI	2

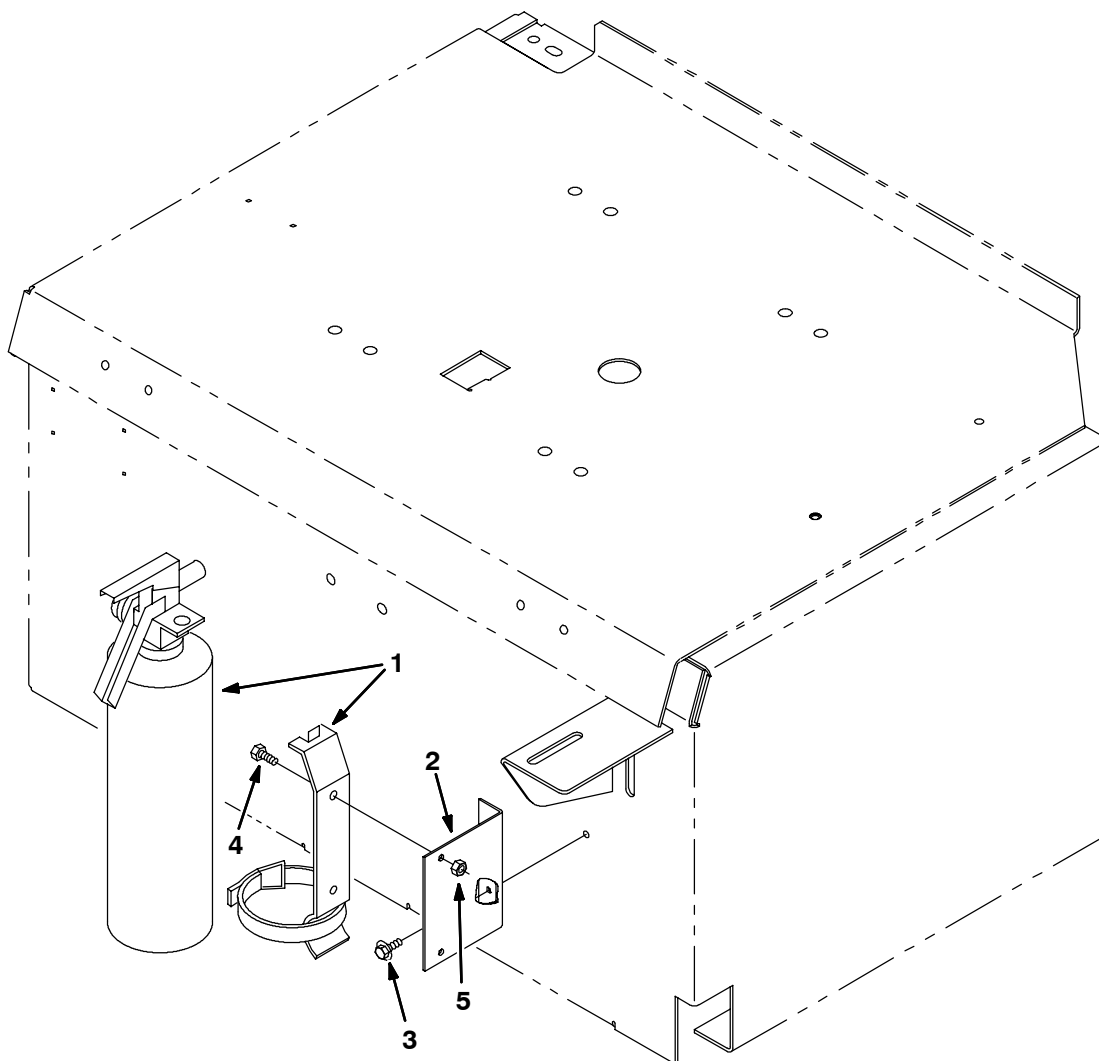
**Fig. 61 - Cup Holder Kit**



350805 - ALL

Ref.	Part No.	Serial Number	Description	Qty.
▽	223605	(000000-	) Holder Kit, Cup / Sprayer, Ci [7200]	1
▲	1 223599	(000000-	) Cup Holder, Rwk	1
▲	2 41178	(000000-	) Washer, Flat, 0.25, Fendr	1
▲	3 06944	(000000-	) Screw, Hex, M6 X 1.0 X 25, 8.8	1
▲	4 32483	(000000-	) Washer, Flat, 0.25, Sae	1
▲	5 08708	(000000-	) Nut, Hex, Lock, M6 X 1.00, NI	1

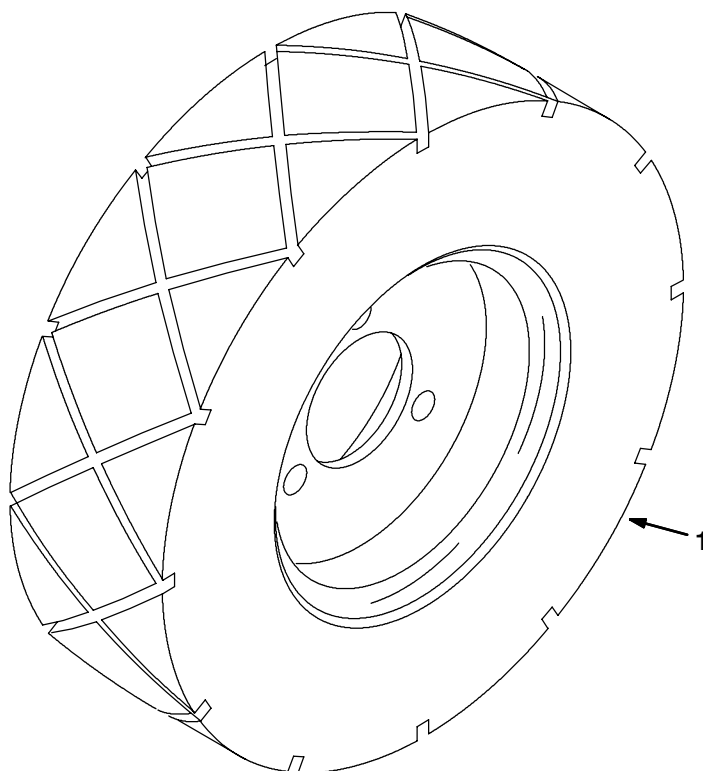
Fig. 62 - Fire Extinguisher Kit



350802 - NA

Ref.	Part No.	Serial Number	Description	Qty.
▽	223039	(000000-	) Extinguisher Kit, Fire, Ci [7200]	1
▲	1 25312	(000000-	) Extinguisher, Fire, 2.5 Lb Dry	1
▲	2 223644	(000000-	) Bracket, Extinguisher, Fire	1
▲	3 223198	(000000-	) Screw, Hex, M5 X 0.8 X 10, Fmg	2
▲	4 12312	(000000-	) Screw, Hex, M5 X 0.8 X 12, 8.8	2
▲	5 06459	(000000-	) Head, Cutter, 4.50 4.75 Cutter	2

**Fig. 63 - Solid Non-Marking Tire Assembly, Rear**



352896 - NA

Ref.	Part No.	Serial Number	Description	Qty.
1	385766	(000000-	) Tire Assy, Solid, 12.0x3.5 3.5bc/3bolt	2

**Fig. 64 - Documentation Group**

NA

<b>Ref.</b>	<b>Part No.</b>	<b>Serial Number</b>	<b>Description</b>	<b>Qty.</b>
	330040	(000000-	) Manual Pkg [7200 Ele, Na]	1
	330044	(000000-	) Manual, Oprtr [7200 Ele, Jp]	1
	330710	(000000-	) Manual, Cd-Rom, Oprtr / Parts [All, Na]	1
	330045	(000000-	) Manual, Service [7200 Ele, Na]	1
	223696	(000000-	) Video, Oprtr, Vhs, Ntsc [7200]	1
	330042	(000000-	) Manual, Oprtr [7200 Ele, Es, Na]	1
	330043	(000000-	) Manual, Oprtr [7200 Ele, Fr, Na]	1



## SECTION 4

Contents	Page
Fig. 1 - Electric Motor Breakdown, 17363 . . . . .	4-2
Fig. 2 - Electric Motor Breakdown, 398520 . . . . .	4-4
Fig. 3 - Electric Motor Breakdown, 223358 . . . . .	4-6
Fig. 4 - Electric Motor Breakdown, 223057 . . . . .	4-7
Fig. 5 - Electric Motor Breakdown, 222753 . . . . .	4-8
Fig. 6 - Electric Motor Breakdown, 374175 . . . . .	4-9
Fig. 7 - Electric Motor Breakdown, 81940 . . . . .	4-10
Fig. 8 - Electric Motor Breakdown, 383699 . . . . .	4-11
Fig. 9 - Electric Motor Breakdown, 374266 . . . . .	4-12
Fig. 10 - Water Pump Breakdown, 223359 . . . . .	4-13
Fig. 11 - Water Pump Breakdown, 385628 . . . . .	4-14
Fig. 12 - Battery Charger Breakdown, 60 Hz, 120V (235 Ah batteries), 223681 . . . . .	4-15
Fig. 13 - Battery Charger Breakdown, 60 Hz, 120V (335 Ah batteries), 223683 . . . . .	4-16
Fig. 14 - Battery Charger Breakdown, 50 Hz, 230V (235 Ah batteries), 65540 . . . . .	4-17
Fig. 15 - Battery Charger Breakdown, 50 Hz, 245V (235 Ah batteries), 65740 . . . . .	4-18
Fig. 16 - Battery Charger Breakdown, 50 Hz, (305 Ah batteries), 222595 . . . . .	4-19
Fig. 17 - Battery Charger Breakdown, 50 Hz, (305 Ah batteries), 222691 . . . . .	4-20

Fig. 1 - Electric Motor Breakdown, 17363

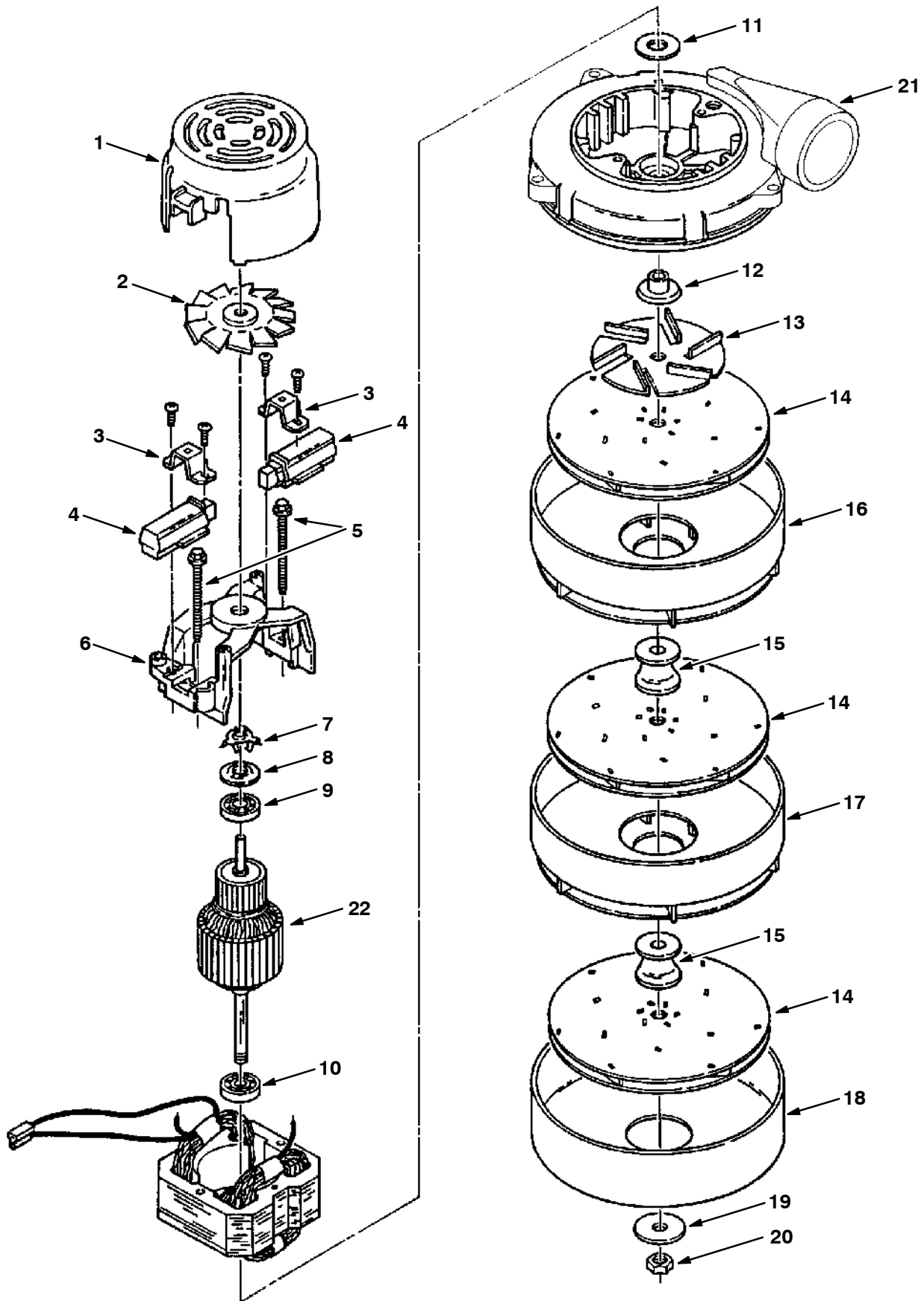




Fig. 1 - Electric Motor Breakdown, 17363

	Ref.	Part No.	Serial Number	Description	Qty.
▽		17363	(000000-	) Fan Assy, Vacuum Rep By 398520	1
▲	1	37926	(000000-	) Housing, Fan, Vac	1
▲	2	61298	(000000-	) Fan, Motor, Vacfan	1
▲	3	01982	(000000-	) Clamp, Brushholder	2
▲	4	11756	(000000-	) Brush Kit, Motor, Fan [Kit=2brushes]	2
▲	5	01969	(000000-	) Screw, Motor, Vacfan	2
▲	6	01983	(000000-	) Bracket, Motor, Vacfan	1
▲	7	01856	(000000-	) Spring, Brg, Motor, Vacfan	1
▲	8	37909	(000000-	) Disc, Armature, Motor, Vacfan	1
▲	9	01842	(000000-	) Bearing, Motor, Vacfan	1
▲	10	01837	(000000-	) Bearing, Motor, Vacfan	1
▲	11	37912	(000000-	) Washer, Neo, Vacfan	1
▲	12	18627	(000000-	) Spacer, Impeller, Vacfan	1
▲	13	01971	(000000-	) Impeller, Vacfan	1
▲	14	18628	(000000-	) Impeller, Vacfan	3
▲	15	18630	(000000-	) Spacer, Impeller, Vacfan	2
▲	16	61300	(000000-	) Housing, Impeller, Vacfan	1
▲	17	61297	(000000-	) Housing, Impeller, Vacfan	1
▲	18	18631	(000000-	) Shell, Vacfan	1
▲	19	378983	(000000-	) Washer	1
▲	20	37929	(000000-	) Nut, Impeller, Vacfan	1
▲	21	60386	(000000-	) Housing, Outlet, Vacfan	1
▲	22	21765	(000000-	) Armature, Motor [Ametek]	1
▲		223264	(000000-	) Seal, Rbr, Clsd, 0.25, 5.8d 03.3h	1
▲		10925	(000000-	) Connector, Fem, 2cav, Mp630 Sealed	1
▲		10926	(000000-	) Terminal, Fem, Mp630, 14ga [P2s]	2

Fig. 2 - Electric Motor Breakdown, 398520

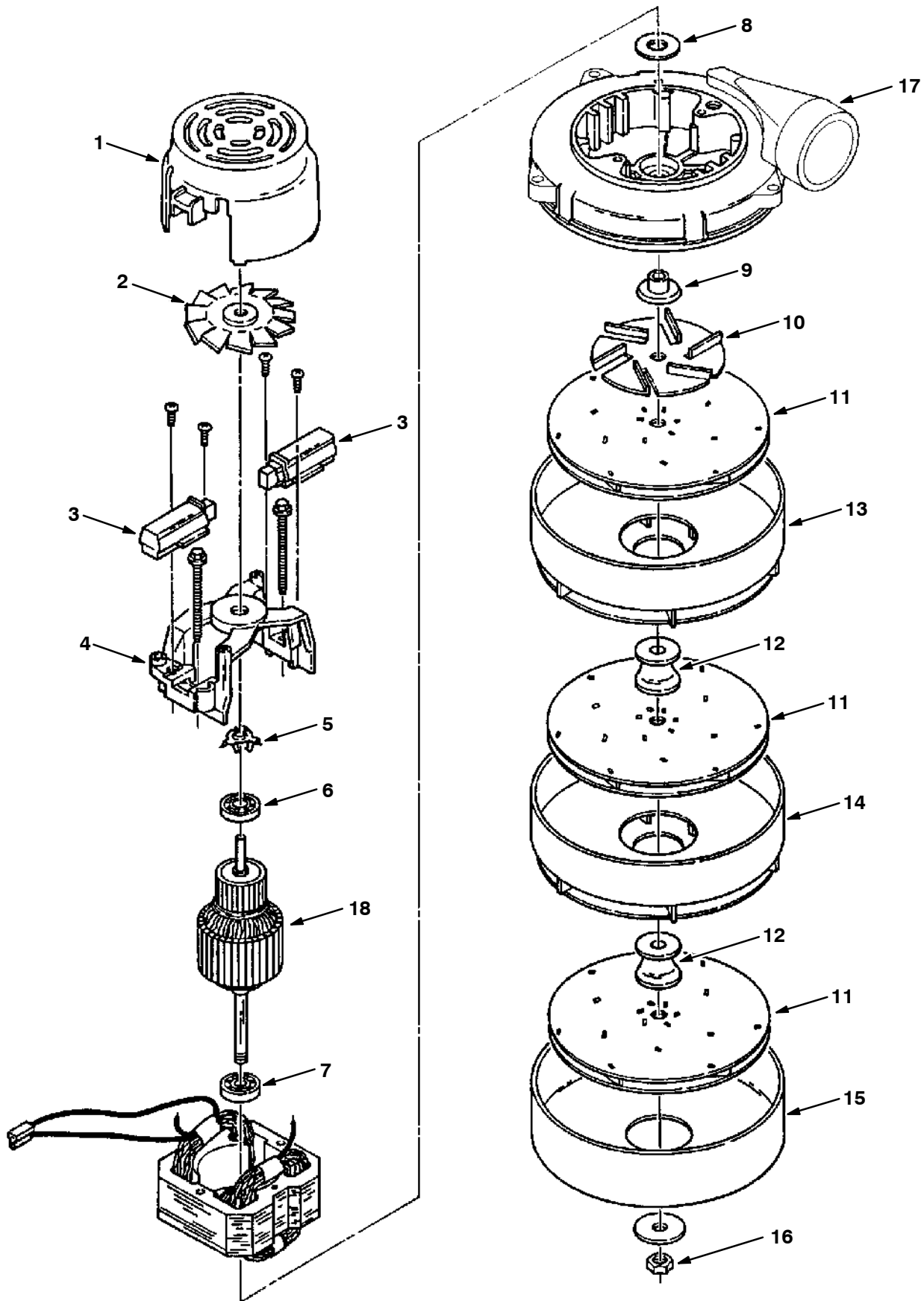
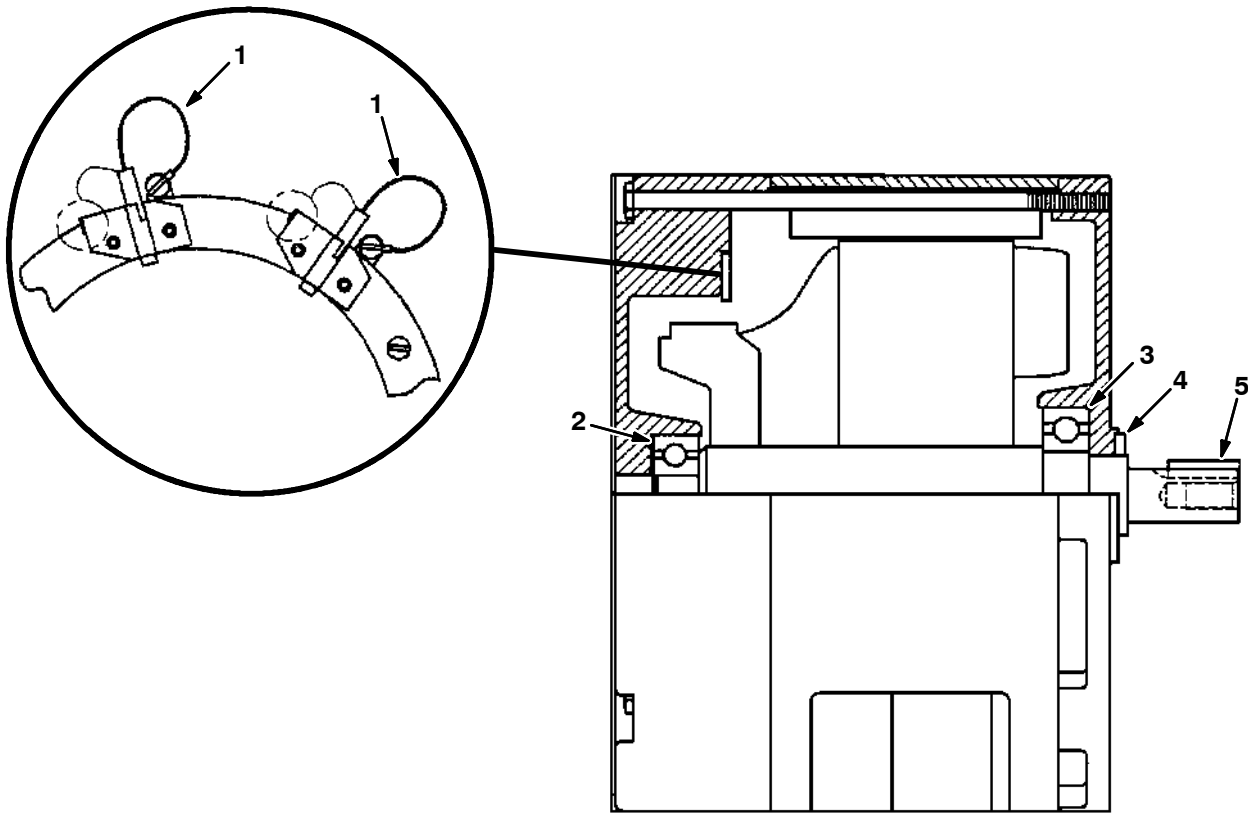


Fig. 2 - Electric Motor Breakdown, 398520

	Ref.	Part No.	Serial Number	Description	Qty.
▽		398520	(000000-	) Fan Assy, Vacuum, 5.7d, 036vdc, 3 Stage	1
▲	1	398511	(000000-	) Housing	1
▲	2	398512	(000000-	) Fan	1
▲	3	398513	(000000-	) Brush Kit, Motor, Fan [1 Kit=2 Brsh]	2
▲	4	398514	(000000-	) Bracket	1
▲	5	01856	(000000-	) Spring, Brg, Motor, Vacfan	1
▲	6	398515	(000000-	) Bearing	1
▲	7	01837	(000000-	) Bearing, Motor, Vacfan	1
▲	8	37912	(000000-	) Washer, Neo, Vacfan	1
▲	9	398516	(000000-	) Spacer	1
▲	10	01971	(000000-	) Impeller, Vacfan	1
▲	11	18628	(000000-	) Impeller, Vacfan	3
▲	12	398517	(000000-	) Spacer	2
▲	13	61300	(000000-	) Housing, Impeller, Vacfan	1
▲	14	61297	(000000-	) Housing, Impeller, Vacfan	1
▲	15	398518	(000000-	) Shell, Fan	1
▲	16	37929	(000000-	) Nut, Impeller, Vacfan	1
▲	17	60386	(000000-	) Housing, Outlet, Vacfan	1
▲	18	398519	(000000-	) Armature, Motor [Ametex]	1
▲		223264	(000000-	) Seal, Rbr, Clsd, 0.25, 5.8d 03.3h	1
▲		10925	(000000-	) Connector, Fem, 2cav, Mp630 Sealed	1
▲		10926	(000000-	) Terminal, Fem, Mp630, 14ga [P2s]	2

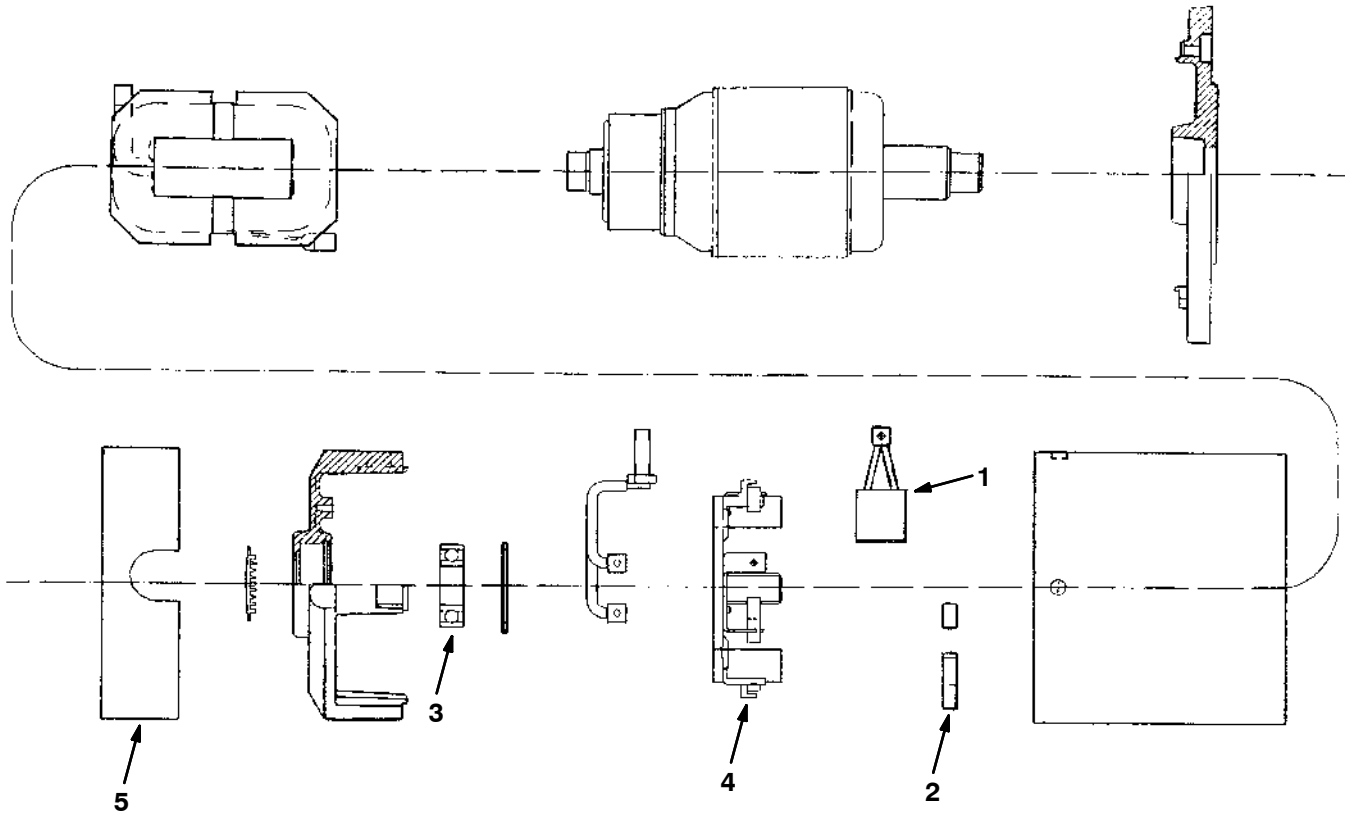
**Fig. 3 - Electric Motor Breakdown, 223358**



350783 - ALL

Ref.	Part No.	Serial Number	Description	Qty.
▽	223358	(000000-	) Motor, Ele, 36vdc 0.80hp 0320rpm	1
▲	1 222606	(000000-	) Brush Kit, Motor, Ele [lp]	1
▲	2 222618	(000000-	) Bearing	1
▲	3 223351	(000000-	) Bearing	1
▲	4 223352	(000000-	) Seal, Oil	1
▲	5 00928	(000000-	) Key, Sq, 0.25 X 0.25, 1.00l	1
▲	10925	(000000-	) Connector, Fem, 2cav, Mp630 Sealed	1
▲	24537	(000000-	) Terminal, Fem, Mp630, 12-10ga [P2s]	2

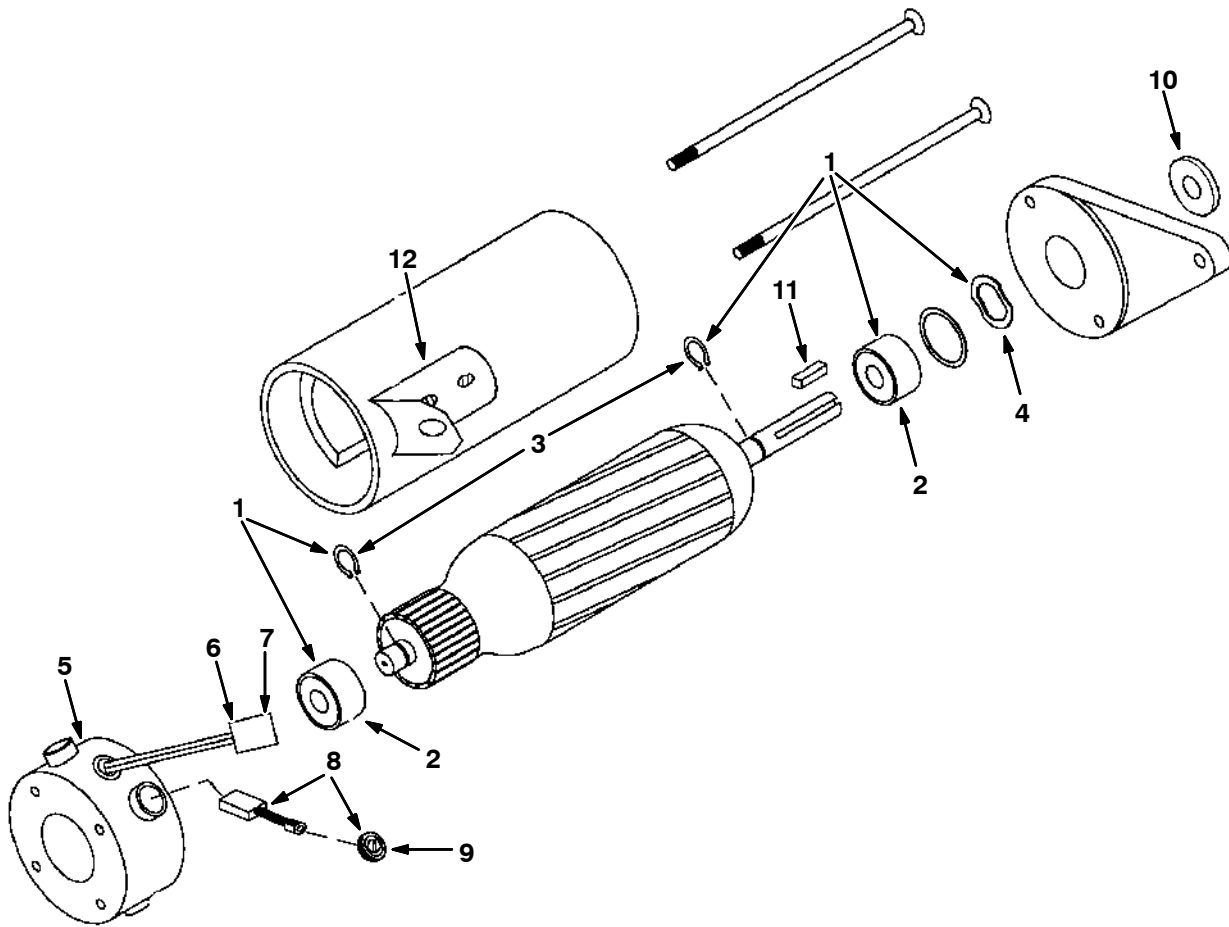
Fig. 4 - Electric Motor Breakdown, 223057



350786 - ALL

Ref.	Part No.	Serial Number	Description	Qty.
▽	223057	(000000-	) Motor, Ele, 36vdc 1400rpm 1.50hp	1
▲	1 385742	(000000-	) Brush, Motor, Ele [Av]	4 <del>X</del>
▲	2 48755	(000000-	) Spring, Brush, Motor, Ele [Av]	4
▲	3 48758	(000000-	) Bearing, Ball, Motor, Ele [Av]	1
▲	4 223677	(000000-	) Plate, Brush [Av]	1
▲	5 223678	(000000-	) Strap, Band, Head [Advance Dc]	1

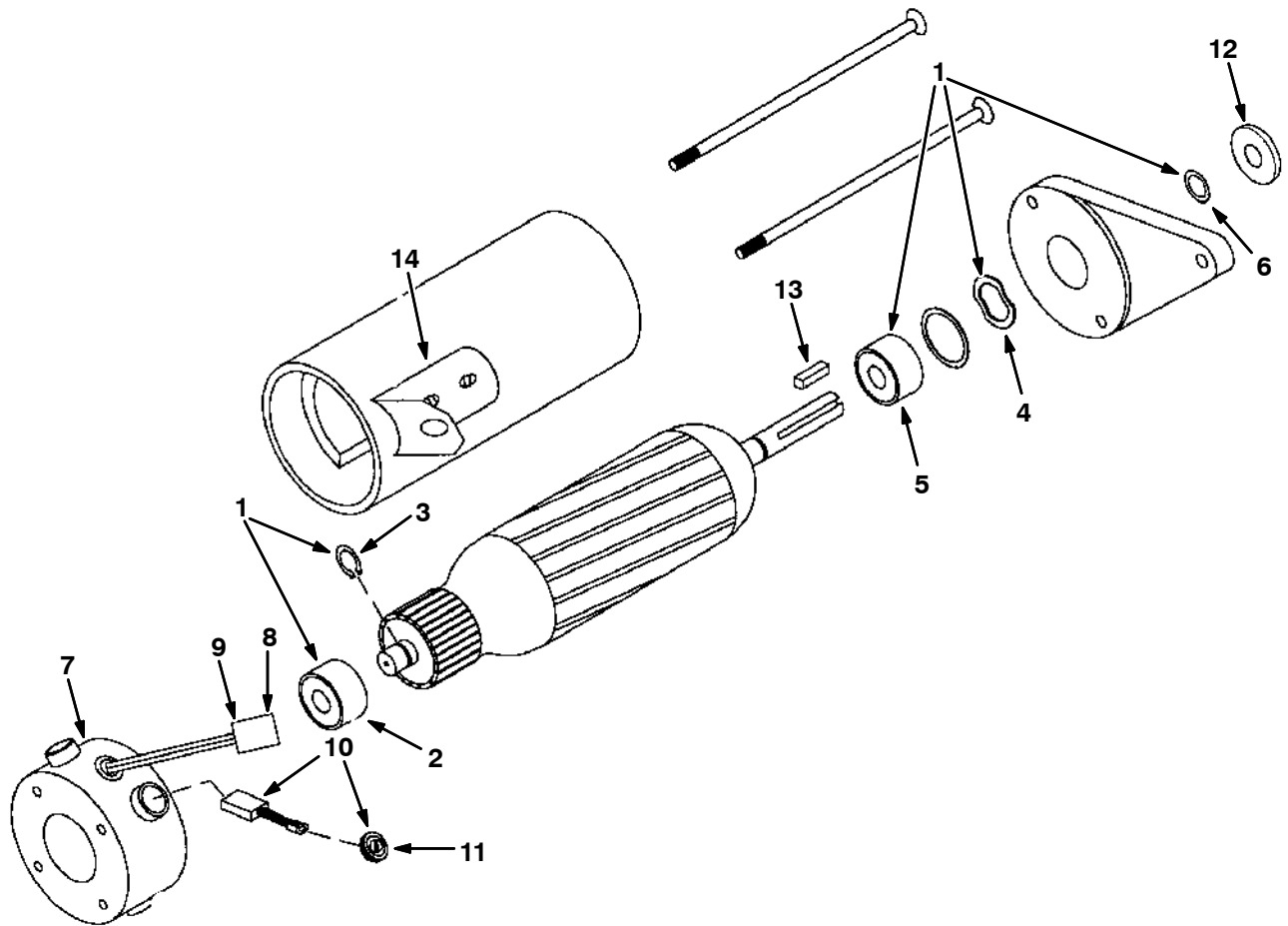
**Fig. 5 - Electric Motor Breakdown, 222753**



10301 - ALL

Ref.	Part No.	Serial Number	Description	Qty.	
▽	222753	(000000-	) Motor Ele, 36vdc, 0.75hp, Rep.By374175	1	
▲▽	1	222623	(000000-	) Ring Kit, Motor, Ele [Magnetek]	1
▲▲	2	222635	(000000-	) Bearing, Motor, Ele [Magnetek]	2
▲▲	3	222637	(000000-	) Ring, Retaining, Motor, Ele[Magnetek]	2
▲▲	4	222638	(000000-	) Washer, Wavy, Motor, Ele [Magnetek]	1
▲▽	5	374004	(000000-	) End Assy, Mount, Brush	1
▲▲	6	10925	(000000-	) Connector, Fem, 2cav, Mp630 Sealed	1
▲▲	7	24537	(000000-	) Terminal, Fem, Mp630, 12-10ga [P2s]	2
▲▽	8	222625	(000000-	) Brush Kit, Motor, Ele [Magnetk]	1
▲▲	9	222629	(000000-	) Cap,Brush Holder, Motor, Ele[Magnetek]	4
▲	10	20536-2	(000000-	) Washer, Flat, 0.47b 1.19d .03, Nyl	1
▲	11	00954	(000000-	) Key, Sq, 0.12 X 0.12, 1.00l	1
▲	12	222877	(000000-	) Brace Kit, Motor, Ele [Magnatek]	1

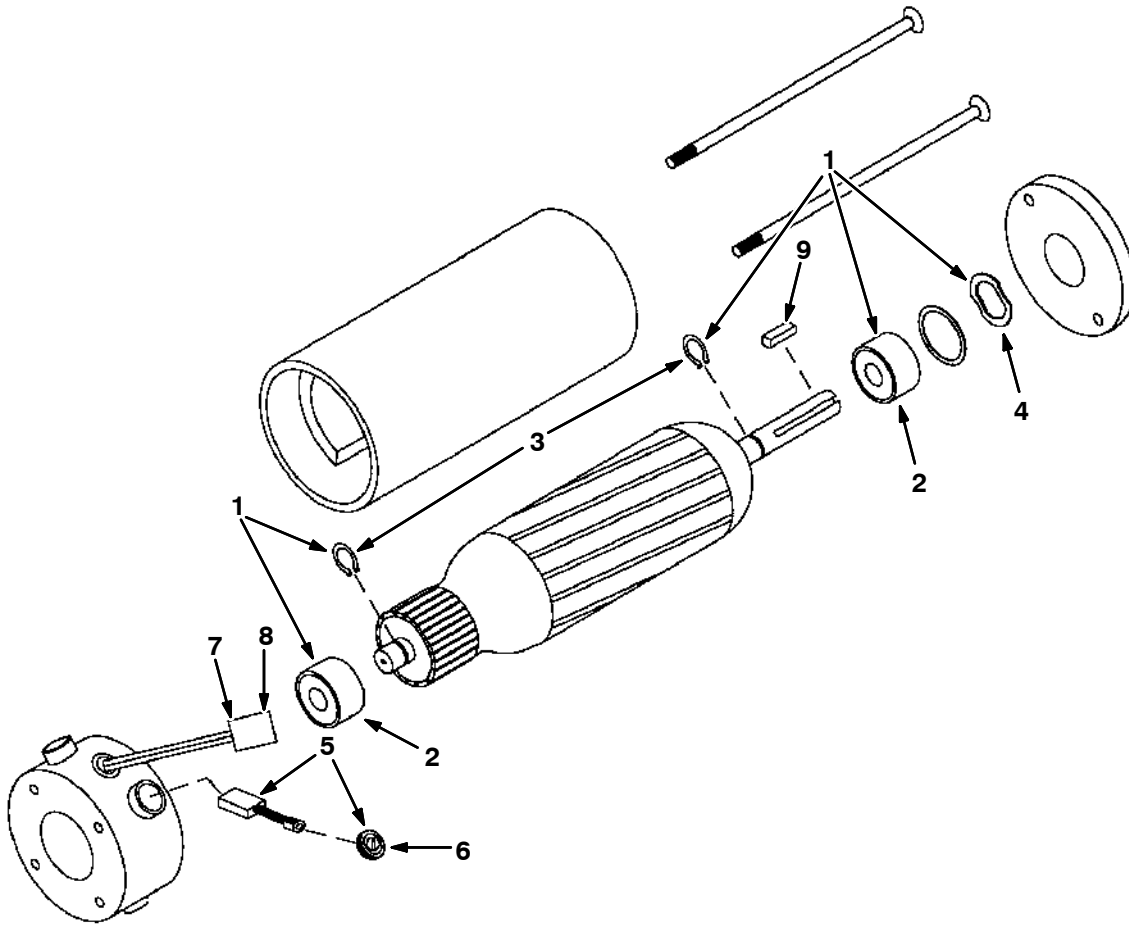
**Fig. 6 - Electric Motor Breakdown, 374175**



Ref.	Part No.	Serial Number	Description	Qty.
▽	374175	(000000-	) Motor, Ele, 36vdc 1700rpm 0.75hp	1
▲▽	1 375176	(000000-	) Bearing Kit, Motor, Ele, Hd F/375175	1
▲▲	2 222635	(000000-	) Bearing, Motor, Ele [Magnetek]	1
▲▲	3 222637	(000000-	) Ring, Retaining, Motor, Ele[Magnetek]	1
▲▲	4 375177	(000000-	) Washer, Wavy, Motor, Ele [Magnetek]	1
▲▲	5 375178	(000000-	) Bearing, Motor, Ele, Hd [Magnetek]	1
▲▲	6 375179	(000000-	) Seal, Shaft, Motor, Ele [Magnetek]	1
▲▽	7 374004	(000000-	) End Assy, Mount, Brush	1
▲▲	8 10925	(000000-	) Connector, Fem, 2cav, Mp630 Sealed	1
▲▲	9 24537	(000000-	) Terminal, Fem, Mp630, 12-10ga [P2s]	2
▲▽	10 222625	(000000-	) Brush Kit, Motor, Ele [Magnetk]	1
▲▲	11 222629	(000000-	) Cap,Brush Holder, Motor, Ele[Magnetek]	4
▲	12 20536-2	(000000-	) Washer, Flat, 0.47b 1.19d .03, Nyl	1
▲	13 00954	(000000-	) Key, Sq, 0.12 X 0.12, 1.00l	1
▲	14 222877	(000000-	) Brace Kit, Motor, Ele [Magnatek]	1

ALL

**Fig. 7 - Electric Motor Breakdown, 81940**

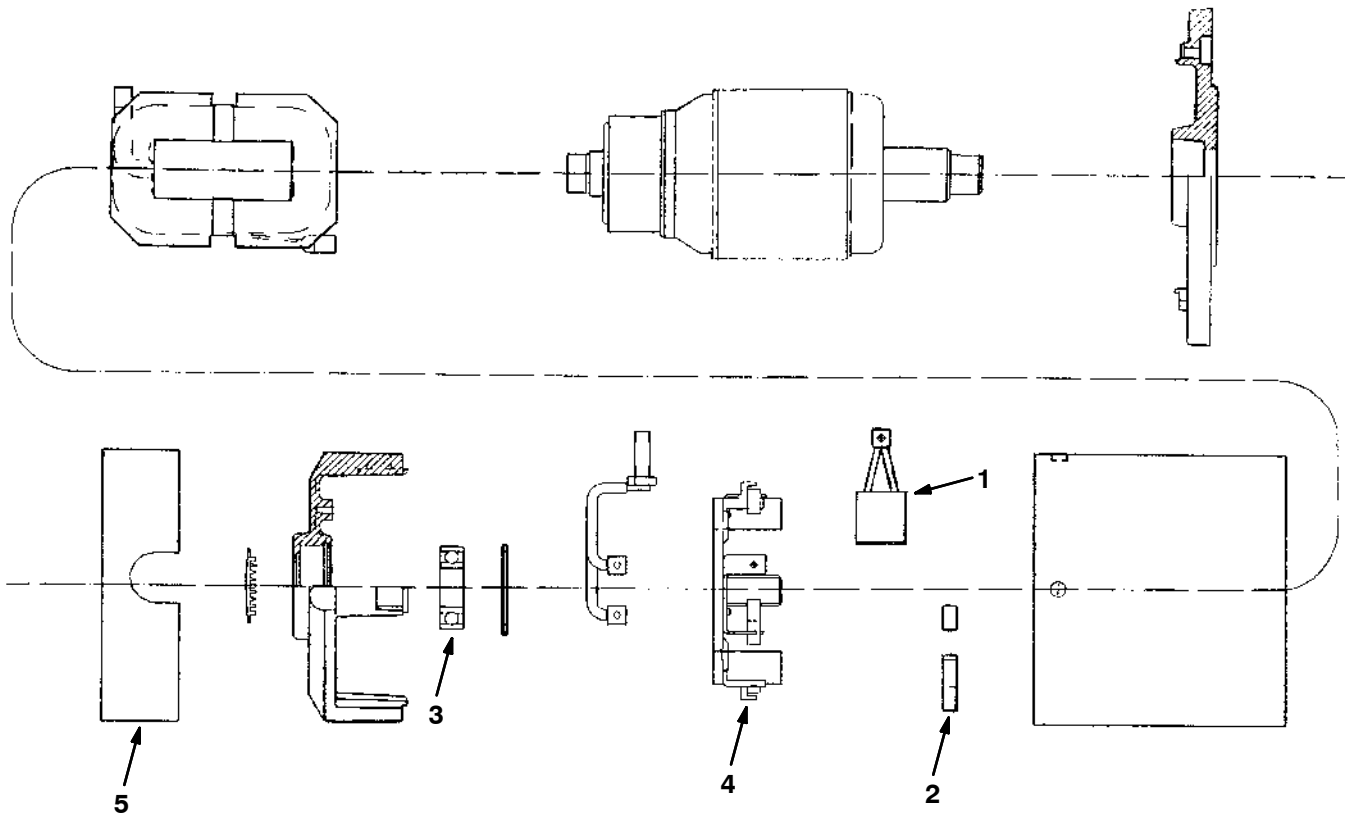


10426-E

Ref.	Part No.	Serial Number	Description	Qty.
▽	81940	(000000-	) Motor, Ele, 36vdc 0.60hp 1800rpm . A	1
▲▽	1 222623	(000000-	) Ring Kit, Motor, Ele [Magnetek]	1
▲▲	2 222635	(000000-	) Bearing, Motor, Ele [Magnetek]	2
▲▲	3 222637	(000000-	) Ring, Retaining, Motor, Ele [Magnetek]	2
▲▲	4 222638	(000000-	) Washer, Wavy, Motor, Ele [Magnetek]	1
▲▽	5 222625	(000000-	) Brush Kit, Motor, Ele [Magnetek]	1
▲▲	6 222629	(000000-	) Cap, Brush Holder, Motor, Ele [Magnetek]	4
▲	7 10925	(000000-	) Connector, Fem, 2cav, Mp630 Sealed	1
▲	8 24537	(000000-	) Terminal, Fem, Mp630, 12-10ga [P2s]	2
▲	9 00916	(000000-	) Key, Sq, 0.19 X 0.19, 1.50l	1



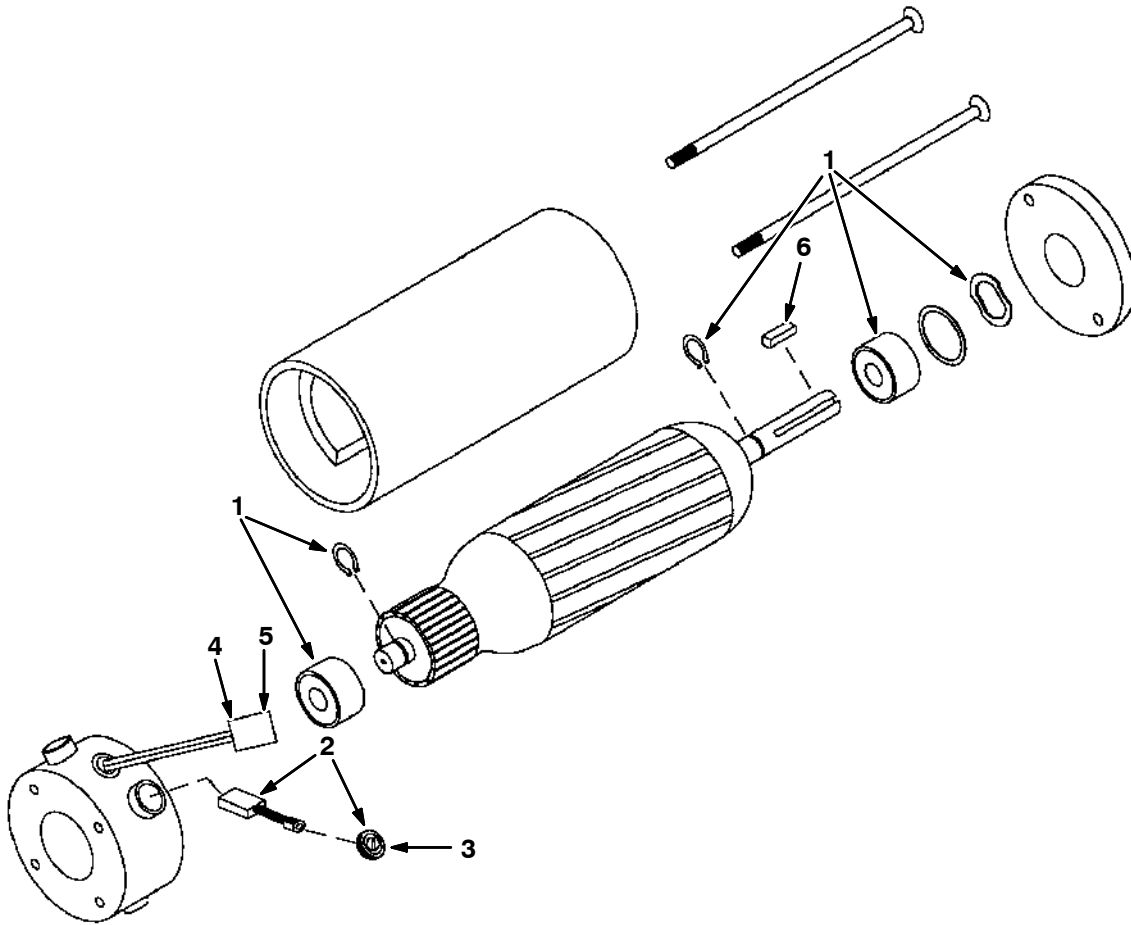
Fig. 8 - Electric Motor Breakdown, 383699



350786 - E

Ref.	Part No.	Serial Number	Description	Qty.
▽	383699	(000000-	) Motor, Ele, 36vdc 1400rpm 1.50hp	1
▲	1 385742	(000000-	) Brush, Motor, Ele [Av]	1
▲	2 48755	(000000-	) Spring, Brush, Motor, Ele [Av]	4
▲	3 48758	(000000-	) Bearing, Ball, Motor, Ele [Av]	1
▲	4 223677	(000000-	) Plate, Brush [Av]	1
▲	5 223678	(000000-	) Strap, Band, Head [Advance Dc]	1

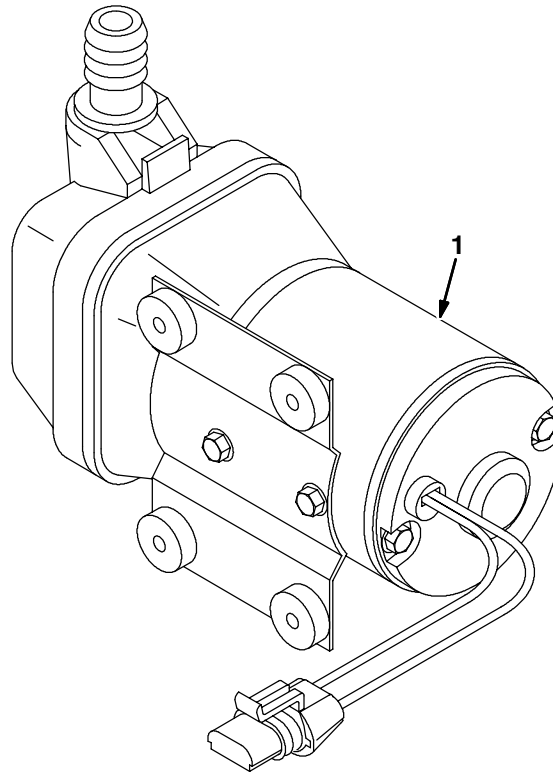
**Fig. 9 - Electric Motor Breakdown, 374266**



10426 - ALL

Ref.	Part No.	Serial Number	Description	Qty.
▽	374266	(000000-	) Motor, Ele, 36vdc 1800rpm 0.60hp	1
▲	1 374273	(000000-	) Bearing Kit, Motor, Ele [Magnetek]	1
▲▽	2 222625	(000000-	) Brush Kit, Motor, Ele [Magnetk]	1
▲▲	3 222629	(000000-	) Cap,Brush Holder,Motor,Ele[Magnetek]	4
▲	4 10925	(000000-	) Connector, Fem, 2cav, Mp630 Sealed	1
▲	5 24537	(000000-	) Terminal, Fem, Mp630, 12-10ga [P2s]	2
▲	6 00916	(000000-	) Key, Sq, 0.19 X 0.19, 1.50l	1

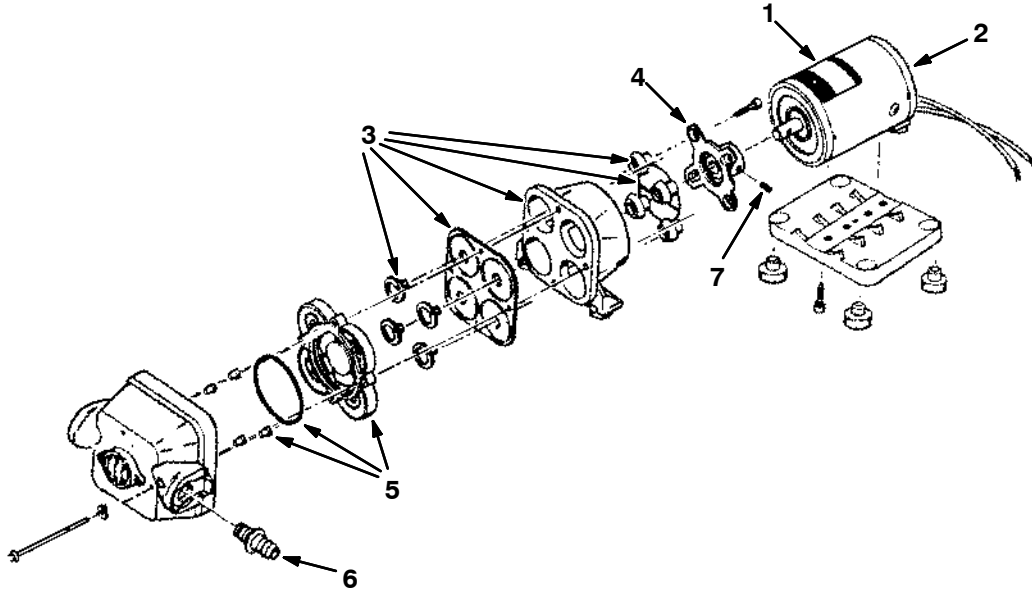
**Fig. 10 - Water Pump Breakdown, 223359**



350807 - NA, JP, CE

Ref.	Part No.	Serial Number	Description	Qty.
▽ 1	223359	(000000-	) Pump Assy, Es	1
▲	41309	(000000-	) Motor, Ele, 36vdc, Water Pump	1
▲	41311	(000000-	) Diaphragm Kit, Pump, Water, Repair	1
▲	41312	(000000-	) Cam, Brg Kit, Pump, Water	1
▲	375010	(000000-	) Valve, Check, Pump, Water	1
▲	375011	(000000-	) Port Kit, Pump, Water	2
▲	78950	(000000-	) Connector, Fem, 2cav, Mp280 Sealed	1
▲	78951	(000000-	) Terminal, Fem, Mp280, Sealed, 18-16ga	2
▲	10917	(000000-	) Seal, Wire, 14/16ga [Wp / Mp280 Sealed]	2
▲	78952	(000000-	) Lock, Secondary, 2cav, Mp280 Sealed	1

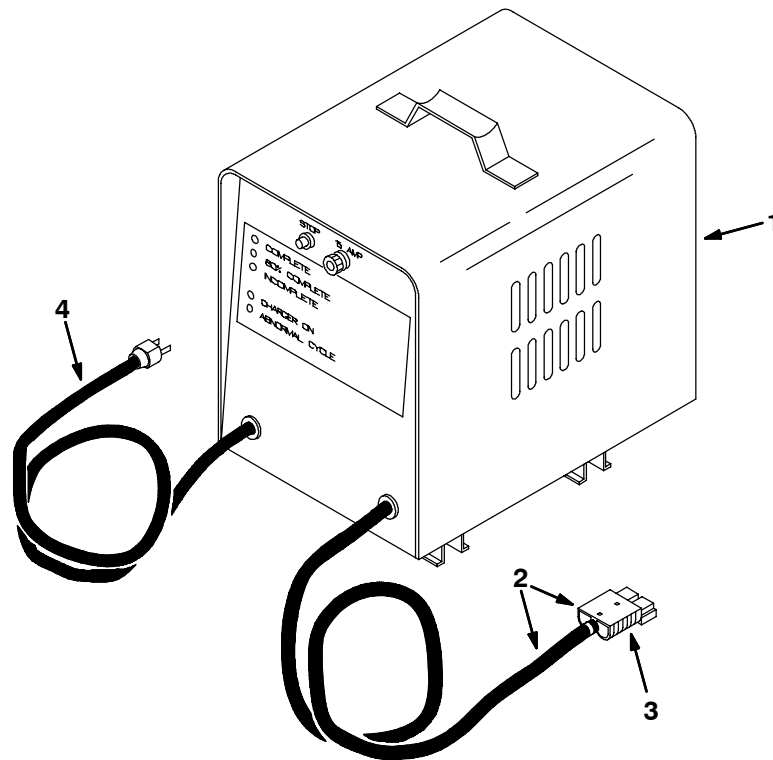
**Fig. 11 - Water Pump Breakdown, 385628**



352016 - ALL

Ref.	Part No.	Serial Number	Description	Qty.
▽	385628	(000000-	) Pump Assy, Water, 36vdc Rep.By369890	1
▲	1 41309	(000000-	) Motor, Ele, 36vdc, Water Pump	1
▲	2 41310	(000000-	) Brush Endbell, Pump Water	1
▲	3 41311	(000000-	) Diaphragm Kit, Pump, Water, Repair	1
▲	4 41312	(000000-	) Cam, Brg Kit, Pump, Water	1
▲	5 375010	(000000-	) Valve, Check, Pump, Water	1
▲	6 385638	(000000-	) Fitting, Str, 90deg, .62 X .75	2
▲	7 65668	(000000-	) Screw, Set, Cam / Brg	1
▲	10918	(000000-	) Connector, Mal, 2cav, Wp Sealed	1
▲	10919	(000000-	) Terminal, Mal, Wp, Sealed, 16-14ga	2
▲	10917	(000000-	) Seal, Wire, 14/16ga [Wp / Mp280 Sealed]	2

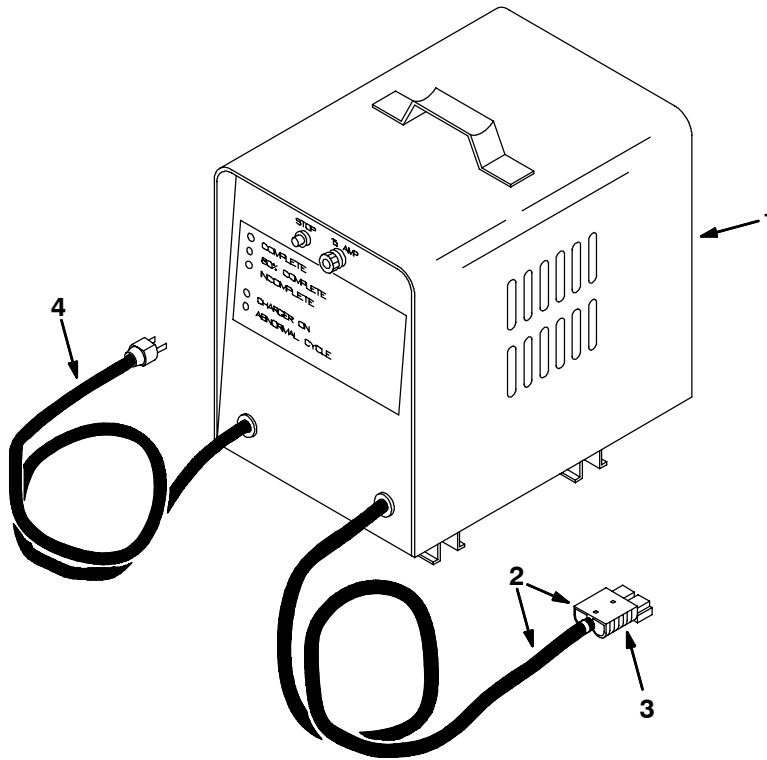
**Fig. 12 - Battery Charger Breakdown, 60 Hz, 120V (235 Ah batteries), 223681**



08080 - NA

Ref.	Part No.	Serial Number	Description	Qty.
▽	1	223681	(000000- ) Charger, 36vdc 20a 120vac 1ph 60hz	1
▲▽	2	223349	(000000- ) Cord Assy, Dc	1
▲▲	3	22892	(000000- ) Connector, Anderson, 175a, Gray	1
▲	4	223345	(000000- ) Cord Assy, Ac	1
▲		374017	(000000- ) Circuitbreaker, 15.0a	1
▲		65954	(000000- ) Circuitbreaker	1
▲		374018	(000000- ) Control, Circuit, Battery Chrgr	1
▲		223347	(000000- ) Rectifier	2
▲		374022	(000000- ) Rectifier, Scr, 20a, Chrgr, Battery	2
▲		21776	(000000- ) Strainrelief, Wire, Chrgr, Battery	1
▲		21775	(000000- ) Strainrelief, Wire, Chrgr, Battery	1
▲		374023	(000000- ) Switch, Red, Stop, Chrgr, Battery	1
▲		65630	(000000- ) Varistor, Chrgr, Battery	1

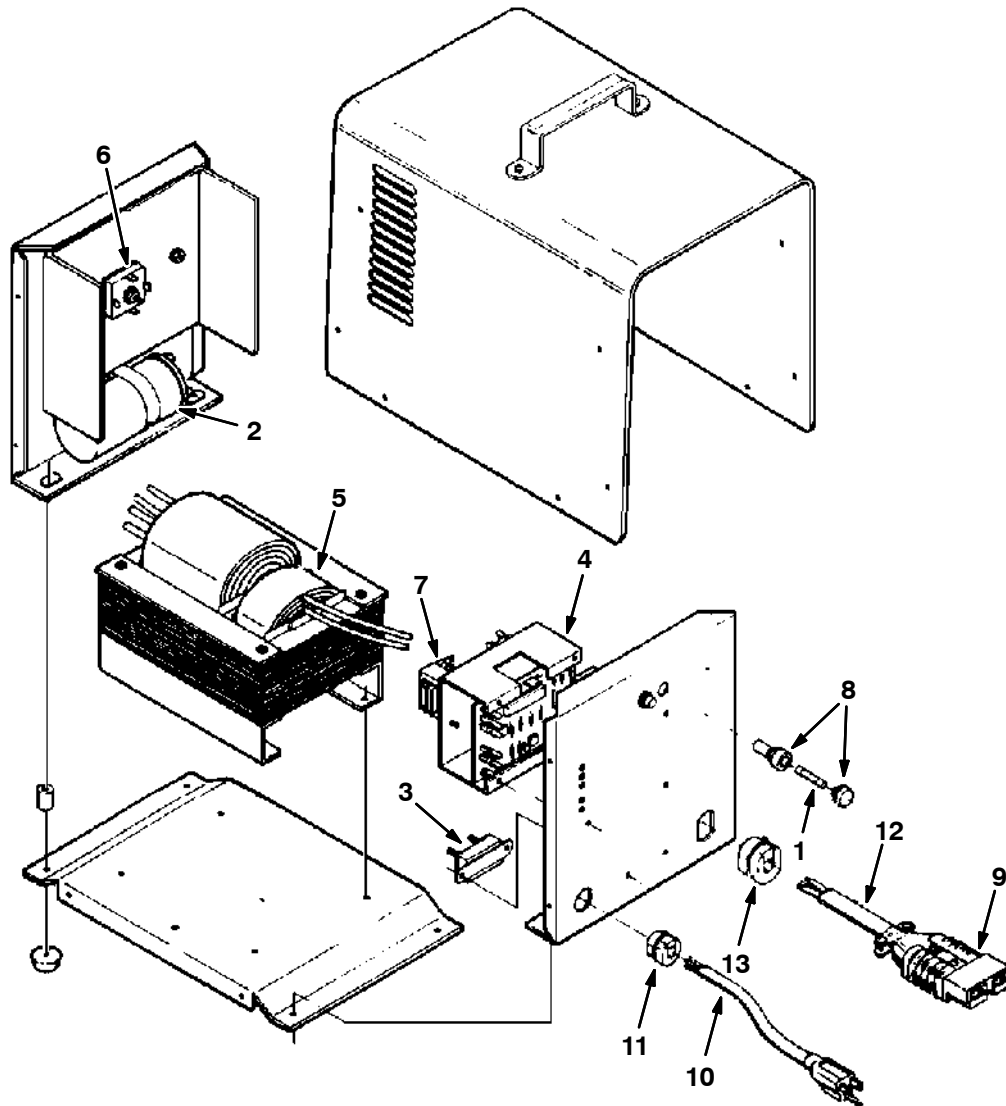
Fig. 13 - Battery Charger Breakdown, 60 Hz, 120V (335 Ah batteries), 223683



08080 - NA

	Ref.	Part No.	Serial Number	Description	Qty.
▽	1	223683	(000000-	) Charger, 36vdc 30a 120vac 1ph 60hz	1
▲▽	2	223341	(000000-	) Cord Assy, Dc	1
▲▲	3	22892	(000000-	) Connector, Anderson, 175a, Gray	1
▲	4	223342	(000000-	) Cord Assy [Ac]	1
▲		223344	(000000-	) Circuitbreaker	1
▲		65954	(000000-	) Circuitbreaker	1
▲		374027	(000000-	) Controller, Chrgr, Battery	1
▲		374029	(000000-	) Rectifier Assy	2
▲		21776	(000000-	) Strainrelief, Wire, Chrgr, Battery	1
▲		21775	(000000-	) Strainrelief, Wire, Chrgr, Battery	1
▲		374023	(000000-	) Switch, Red, Stop, Chrgr, Battery	1
▲		65630	(000000-	) Varistor, Chrgr, Battery	1

**Fig. 14 - Battery Charger Breakdown, 50 Hz, 230V (235 Ah batteries), 65540**

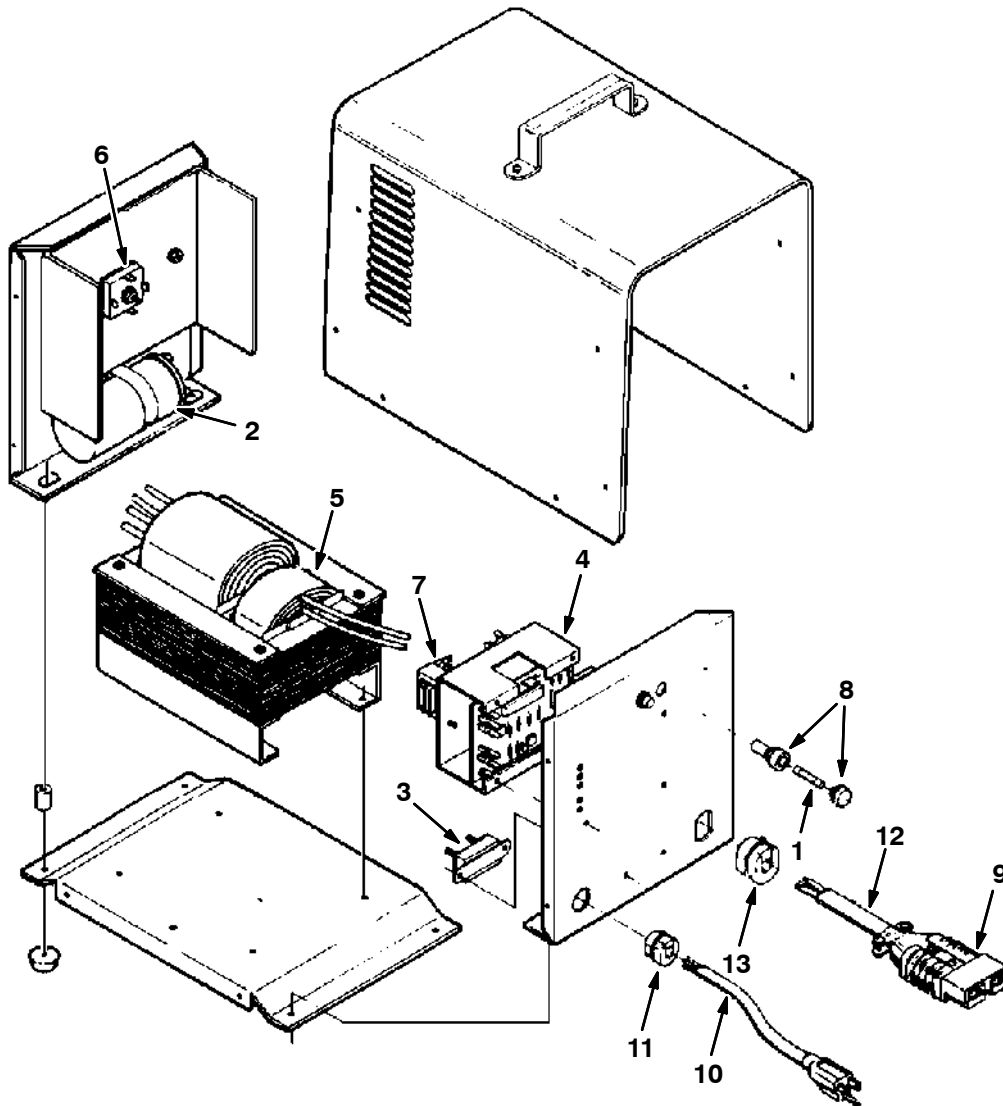


10262 - NA

	Ref.	Part No.	Serial Number	Description	Qty.
▽		65540	(000000-	) Charger, 36vdc 20a 230vac 1ph 50hz	1
▲	1	65632	(000000-	) Fuse, Chrgr, Battery	1
▲	2	65958	(000000-	) Condenser, Chrgr, Battery	1
▲	3	65954	(000000-	) Circuitbreaker	1
▲	4	65620	(000000-	) Control, Chrgr, Battery	1
▲	5	65634	(000000-	) Transformer	1
▲	6	61837	(000000-	) Rectifier	1
▲	7	65959	(000000-	) Control, Transformer	1
▲	8	30058	(000000-	) Fuseholder, Chrgr, Battery	1
▲	9	24881	(000000-	) Connector, Cable, Anderson, 50a, Gray	1
▲	10	21770	(000000-	) Wire, 120vac, W/ Plug	1
▲	11	21775	(000000-	) Strainrelief, Wire, Chrgr, Battery	1
▲	12	21772	(000000-	) Wire Assy, 36vdc, Chrgr, Battery	1
▲	13	21776	(000000-	) Strainrelief, Wire, Chrgr, Battery	1

# BREAKDOWNS

Fig. 15 - Battery Charger Breakdown, 50 Hz, 245V (235 Ah batteries), 65740

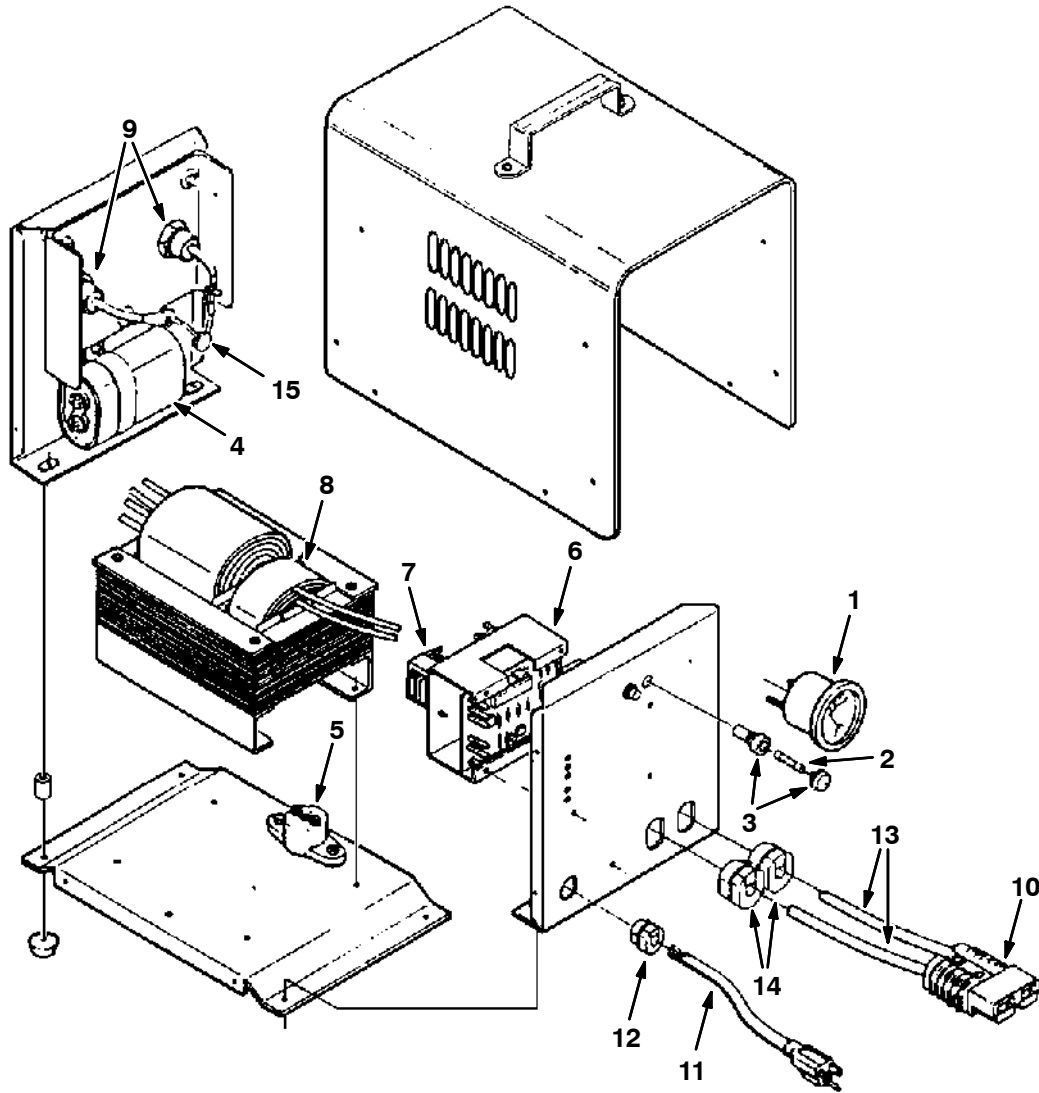


10262 - NA

Ref.	Part No.	Serial Number	Description	Qty.	
▽	65740	(000000-	) Charger, 36vdc 20a 245vac 1ph 50hz	1	
▲	1	65632	(000000-	) Fuse, Chrgr, Battery	1
▲	2	65958	(000000-	) Condenser, Chrgr, Battery	1
▲	3	65954	(000000-	) Circuitbreaker	1
▲	4	65620	(000000-	) Control, Chrgr, Battery	1
▲	5	65724	(000000-	) Transformer, Power	1
▲	6	61837	(000000-	) Rectifier	1
▲	7	65959	(000000-	) Control, Transformer	1
▲	8	30058	(000000-	) Fuseholder, Chrgr, Battery	1
▲	9	24881	(000000-	) Connector, Cable, Anderson, 50a, Gray	1
▲	10	21770	(000000-	) Wire, 120vac, W/ Plug	1
▲	11	21775	(000000-	) Strainrelief, Wire, Chrgr, Battery	1
▲	12	21772	(000000-	) Wire Assy, 36vdc, Chrgr, Battery	1
▲	13	21776	(000000-	) Strainrelief, Wire, Chrgr, Battery	1



**Fig. 16 - Battery Charger Breakdown, 50 Hz, (305 Ah batteries), 222595**

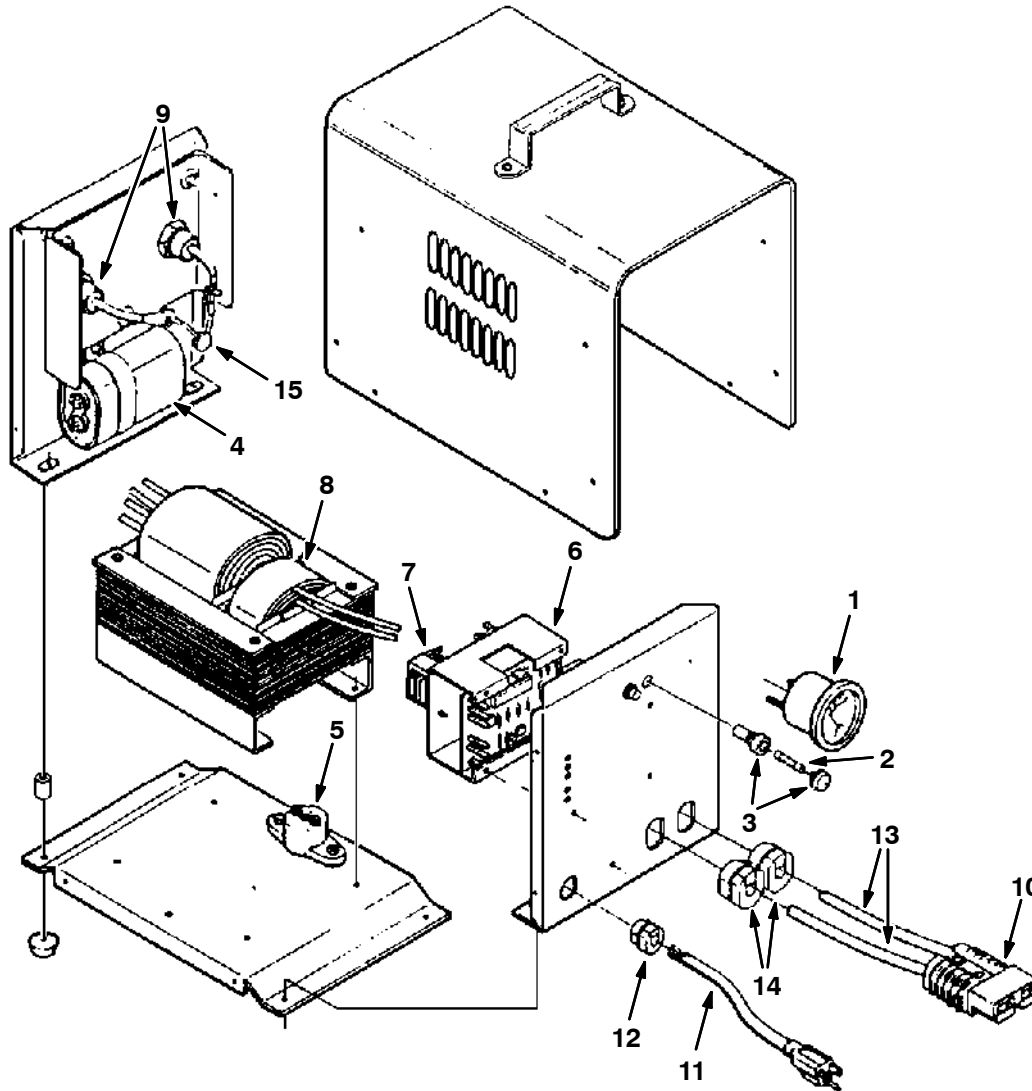


10263 - NA

Ref.	Part No.	Serial Number	Description	Qty.	
▽	222595	(000000-	) Charger, 36vdc 30a 230vac 1ph 50hz	1	
▲	1	38889	(000000-	) Gauge, Ammeter, Chrgr, Battery	1
▲	2	65614	(000000-	) Fuse, Chrgr, Battery	1
▲	3	30058	(000000-	) Fuseholder, Chrgr, Battery	1
▲	4	65613	(000000-	) Condenser, Chrgr, Battery	1
▲	5	65619	(000000-	) Circuitbreaker, Chrgr, Battery	1
▲	6	65620	(000000-	) Control, Chrgr, Battery	1
▲	7	65959	(000000-	) Control, Transformer	1
▲	8	65618	(000000-	) Transformer, Power	1
▲	9	65616	(000000-	) Diode, Chrgr, Battery	2
▲	10	24881	(000000-	) Connector, Cable, Anderson, 50a, Gray	1
▲	11	21770	(000000-	) Wire, 120vac, W/ Plug	1
▲	12	21775	(000000-	) Strainrelief, Wire, Chrgr, Battery	1
▲	13	21773	(000000-	) Wire, 36vdc, W/ Connector [Sb50]	1
▲	14	21776	(000000-	) Strainrelief, Wire, Chrgr, Battery	2
▲	15	65630	(000000-	) Varistor, Chrgr, Battery	1

# BREAKDOWNS

Fig. 17 - Battery Charger Breakdown, 50 Hz, (305 Ah batteries), 222691



10263 - NA

Ref.	Part No.	Serial Number	Description	Qty.	
▽	222691	(000000-	) Charger, 36vdc 30a 245vac 1ph 50hz	1	
▲	1	38889	(000000-	) Gauge, Ammeter, Chrgr, Battery	1
▲	2	65614	(000000-	) Fuse, Chrgr, Battery	1
▲	3	30058	(000000-	) Fuseholder, Chrgr, Battery	1
▲	4	65726	(000000-	) Capacitor [15uf]	1
▲	5	65619	(000000-	) Circuitbreaker, Chrgr, Battery	1
▲	6	65620	(000000-	) Control, Chrgr, Battery	1
▲	7	65959	(000000-	) Control, Transformer	1
▲	8	65727	(000000-	) Power Transformer	1
▲	9	65616	(000000-	) Diode, Chrgr, Battery	2
▲	10	24881	(000000-	) Connector, Cable, Anderson, 50a, Gray	1
▲	11	21770	(000000-	) Wire, 120vac, W/ Plug	1
▲	12	21775	(000000-	) Strainrelief, Wire, Chrgr, Battery	1
▲	13	21773	(000000-	) Wire, 36vdc, W/ Connector [Sb50]	1
▲	14	21776	(000000-	) Strainrelief, Wire, Chrgr, Battery	2
▲	15	65630	(000000-	) Varistor, Chrgr, Battery	1

# SECTION 5

**CONTENTS**

**PAGE**

PART NUMBER TO PAGE NUMBER CROSS REFERENCE LIST ..... 5-2  
PART DESCRIPTION TO PAGE NUMBER CROSS REFERENCE LIST ..... 5-10

# CROSS REFERENCE

## PART NUMBER TO PAGE NUMBER CROSS REFERENCE LIST

Part Number	Page Number	Part Number	Page Number	Part Number	Page Number
00500-10	2-13	06416	3-79	09088	2-21, 3-85
00912	2-13	06459	3-115	09120	3-33, 3-37
00916	3-89, 4-10, 4-12	06474A	2-25, 3-109	09162	3-109
00918	3-89, 3-91	06506	3-73	09164	3-69
00928	4-6	06549	3-3, 3-5, 3-7, 3-9	09198	2-5, 2-7
00954	4-8, 4-9	06931	2-25	09200	2-53, 2-55
01150	3-89	06942	2-11, 2-17, 2-21, 3-7, 3-9, 3-27	09244	3-3, 3-5, 3-7, 3-9, 3-33, 3-37
01314	2-9, 3-110	06943	2-11, 3-83, 3-87	09278	3-71
01516	2-35, 3-63, 3-89	06944	2-11, 2-17, 2-25, 3-109, 3-114	09291	2-65, 2-67, 3-35, 3-69
01683	2-9, 2-25, 2-39, 2-41, 3-25, 3-29, 3-107	06947	3-79	09480	3-109
01684	2-5, 2-7, 2-29, 2-31, 2-33, 2-35, 2-47, 2-55, 2-65, 2-67, 3-13, 3-15, 3-17, 3-19, 3-23, 3-57, 3-59, 3-61, 3-63, 3-73, 3-79, 3-83, 3-87, 3-89	06955	2-21, 3-85	09738	2-41, 3-31
01685	2-9, 2-31, 2-33, 2-35, 2-37, 2-39, 2-41, 2-43, 2-45, 2-47, 2-49, 2-55, 2-61, 2-63, 2-69, 3-11, 3-59, 3-61, 3-63, 3-65, 3-67, 3-71, 3-77, 3-79, 3-81	06956	2-47	09739	2-9, 2-39, 2-41, 3-25, 3-29, 3-31, 3-107
01686	2-27, 2-29, 2-31, 2-37, 2-47, 2-51, 2-63, 2-65, 2-67, 3-17, 3-19, 3-21, 3-35, 3-57, 3-59, 3-65, 3-69, 3-89, 3-91	06958	3-85	09740	2-9, 2-11, 2-33, 2-35, 2-43, 2-45, 2-47, 2-49, 3-63, 3-87, 3-93, 3-103
01699	3-73	06963	2-25	09741	2-23
01713	2-17, 3-97	069760639	2-17	09744	2-35
01714	2-25	07259	2-19	09767	2-69, 3-67
01750	3-89	07450	2-63	1002789	2-53, 2-55
01837	4-3, 4-5	07786	2-45, 2-65, 2-67	1002898	2-49
01842	4-3	07790	3-7, 3-9, 3-27	1002899	2-49
01856	4-3, 4-5	07791	2-21, 3-33, 3-37, 3-83	1005086	2-53, 2-55
01969	4-3	07805	3-13, 3-15	1005255	2-49
01971	4-3, 4-5	08085	2-21, 3-83, 3-93, 3-103, 3-110	1005302	2-51
01982	4-3	08170	2-47	1005416	2-11
01983	4-3	08171	2-19	1005435	2-49
02076	2-19, 2-61, 3-81	08175	2-63	1005508	2-51
02141	3-79	08178	2-63	1005552	2-53, 2-55, 3-23
02356	3-89	08179	3-109	1005866	2-51
02930	3-73	08181	3-45	1006447	2-51
02931	2-37, 3-65, 3-73	08182	2-25, 3-107, 3-109	1008211	2-49
02942	2-27, 3-85	08708	2-11, 2-17, 2-21, 2-25, 2-57, 3-13, 3-15, 3-19, 3-23, 3-79, 3-83, 3-87, 3-114	1008274	3-93
03192	2-13, 3-79, 3-83	08709	2-21, 2-25, 2-45, 2-47, 3-11, 3-77, 3-79, 3-85, 3-107	1008275	3-103
04051	3-97	08711	2-13, 3-11, 3-77, 3-113	1009603	2-55
04414	2-69, 3-67	08712	2-29, 2-31, 2-65, 2-67, 3-57, 3-59, 3-61, 3-83	1010506	2-35, 3-63
04417	2-63	08713	2-31, 2-33, 2-35, 2-37, 2-63, 2-65, 2-69, 3-59, 3-63, 3-65, 3-67, 3-87, 3-91	1010668	2-53
04928	3-89	08714	2-31, 2-37, 2-51, 2-63, 2-65, 2-67, 3-35, 3-59, 3-65, 3-69	1010684	2-53, 2-55
05134	3-21, 3-23	08716	2-31, 2-65, 2-67, 3-13, 3-15, 3-17, 3-19, 3-23, 3-59, 3-83	1010713	2-53, 2-55
05280	2-15	09007	2-33, 3-61	1010835	2-51
05579	3-43	09010	3-45, 3-74, 3-75, 3-79, 3-99, 3-107, 3-110	1010836	2-53, 2-55
05584	3-43	09011	2-63	1011403	2-51, 2-55
05594	3-43	09023	2-35, 2-65, 3-63	1011412	2-53, 2-55
05711	2-33, 3-61	09026	2-69, 3-67	1011521	2-51, 2-53
05720	2-63	09029	3-11, 3-77	1013789	2-49
06279	2-63			1013902	2-49
				1014082	2-49
				1014673	2-55
				1014750	2-51
				1014851	2-51
				1014852	2-51
				1014853	2-57
				1014854	2-49
				1014898	2-57
				1014985	2-49
				1014987	2-49
				1015012	2-11
				1015087	2-57

# CROSS REFERENCE

Part Number	Page Number	Part Number	Page Number	Part Number	Page Number
1015139	2-55	12269	3-89, 3-91	21120	3-79
1015147	2-55	12273	2-39, 2-41, 2-55, 3-11, 3-77	21765	4-3
1015150	2-17			21770	4-17, 4-18, 4-19, 4-20
1015163	2-51	12274	3-109	21772	4-17, 4-18
1017015	2-3, 2-49	12312	3-115	21773	4-19, 4-20
1017022	2-3, 2-49	12316	2-39, 2-41, 3-25, 3-29	21775	4-15, 4-16, 4-17, 4-18, 4-19, 4-20
1017079	3-54	12333	2-19	21776	4-15, 4-16, 4-17, 4-18, 4-19, 4-20
1017101	2-45	12694	3-39		
1017218	2-41, 2-45	13513	2-25	222062	2-35, 3-63
1017248	3-5, 3-9	140145	3-85	222066	2-69, 3-67
1017250	3-3, 3-7	14601	2-25	222113	2-47, 3-95
1019242	3-55	14605	2-21	222124	2-43
1019285	2-41, 3-21	14734	3-17	222130	2-69
1022252	2-33	14799	2-13	222131	3-67
1022254	3-61	14838	2-5, 2-7	222158	3-95
1023044	2-21	14864	2-39, 2-41, 3-25	222167	3-61
1023123	2-21	14877	3-17, 3-19, 3-21	222176	2-35, 3-63
1023232	2-21	14880	2-39, 2-41, 3-25	222177	2-35, 3-63
1023365	2-41	150100	2-51	222184	2-35, 3-63
1024331	2-21	150208	3-41	222190	2-47
1024488	2-45	15047	2-31, 2-37, 3-59, 3-65	222201	3-63
1024692	2-45	150525	2-49	222203	3-61
1024784	2-45	15173	3-93, 3-103	222205	2-33
1028579	2-53	15539	2-5, 2-7	222209	2-35, 3-63
1028582	2-51	15648	2-27, 3-69, 3-107	222233	2-65, 2-67
1028586	2-57	15675	2-43, 3-79	222244	2-69, 3-67
1031699	2-3, 2-39, 2-41, 2-45, 3-25	15678	2-9, 2-29, 2-35, 3-57, 3-63, 3-93, 3-103	222260	2-69, 3-67
1031700	3-47, 3-49	15846	2-81	222267	2-15
1031717	3-109	16236	2-11, 2-31, 3-59	222268	2-69, 3-67
1034262	3-109	16356	3-13	222280	3-51
10575	3-13, 3-15, 3-17	16361	3-19, 3-23	222283	3-29
10632-12	2-21	16735	2-13	222290	2-58, 2-77, 2-81, 3-101, 3-111
10632-13	2-9, 3-110	16906	2-15		
10632-14	2-11, 3-95	16931	2-9, 2-21, 2-49, 3-33, 3-37, 3-69, 3-83, 3-85, 3-89, 3-109	222296	2-17
10632-2	3-3, 3-5, 3-7, 3-9			222297	2-17, 3-97
10632-9	2-47			222304	2-5
10917	4-13, 4-14	16951	2-41, 3-3, 3-5, 3-27	222305	2-5
10918	4-14	17188	2-51, 3-17, 3-19, 3-21	222306	2-5
10919	4-14	17363	2-43, 3-29, 4-3	222310	2-7
10925	4-3, 4-5, 4-6, 4-8, 4-9, 4-10, 4-12	17461	2-27	222311	2-7
10926	4-3, 4-5	18627	4-3	222312	2-7
10959	3-17, 3-19, 3-21, 3-91	18628	4-3, 4-5	222320	2-5
11109	2-23	18630	4-3	222321	2-5
11211	2-63, 3-69	18631	4-3	222322	2-5
11218	2-7	18778	2-77, 2-81	222324	2-5
11329	3-87, 3-89, 3-91	18779	2-77	222325	2-5
11635	2-55	19065	2-17, 3-97	222326	2-5
11756	4-3	19066	2-17, 3-3, 3-5, 3-7, 3-9, 3-27	222327	2-5
11771	2-7	19324	2-17, 3-97	222349	3-43
11772	2-7	19588	3-65	222375	3-95
11773	2-7	19783	2-7	222378	3-67
11776	2-7	20170	2-17, 3-97	222381	2-3, 3-67
11777	2-7	20171	2-27, 2-67, 3-85	222382	2-3, 3-67
11778	2-7	20175	2-63	222385	2-3, 3-67
11780	2-7	20175	2-63	222387	2-3, 3-67
11781	2-7	20536-1	3-85	222389	2-3, 3-67
12083	2-47	20536-2	4-8, 4-9	222391	2-3, 3-67
12267	3-109	20810	2-45	222415	2-3, 2-69
		20932	3-47, 3-49	222416	2-3, 2-69

# CROSS REFERENCE

Part Number	Page Number	Part Number	Page Number	Part Number	Page Number
222417	2-69	223061	2-13	223248	2-11
222422	2-3, 3-67	223065	2-13, 2-21, 3-79	223249	2-11
222428	2-3, 3-67	223068	2-13	223250	2-39, 2-41
222433	2-3, 2-69	223070	2-13	223251	2-45
222434	2-3, 2-69	223072	2-13	223252	2-45
222435	2-3, 2-69	223073	2-13	223253	2-9
222460	3-85	223074	2-13	223254	2-9
222467	3-79	223078	2-11	223255	2-45
222473	3-51, 3-53	223080	2-11	223256	2-39, 2-41
222481	3-97	223090	2-25	223257	2-9
222493	2-17	223093	2-25	223258	2-45
222496	2-69, 3-67	223094	2-25	223259	2-43
222504	3-107	223099	2-13	223261	2-43
222506	3-57	223133	2-27	223262	2-43
222516	2-45	223142	2-23	223264	2-3, 2-43, 3-29, 4-3, 4-5
222523	2-33, 3-61	223150	2-19	223266	2-43, 3-29
222595	3-55, 4-19	223151	2-19	223267	2-43, 3-29
222606	4-6	223152	2-19	223268	3-13, 3-15
222618	4-6	223153	2-19	223271	2-45
222623	4-8, 4-10	223154	2-19	223272	3-29
222625	4-8, 4-9, 4-10, 4-12	223157	2-19	223279	2-43, 3-29
222629	4-8, 4-9, 4-10, 4-12	223158	2-19	223283	2-45
222635	4-8, 4-9, 4-10	223159	2-19	223284	2-45
222637	4-8, 4-9, 4-10	223160	2-19	223285	2-15
222638	4-8, 4-10	223161	2-19	223286	3-29
222648	3-79	223162	2-19	223290	2-9
222669	2-33, 3-61	223163	2-19	223291	2-37
222670	2-33, 3-61	223164	2-19	223293	2-37, 3-65
222691	3-55, 4-20	223166	2-19	223297	2-69, 3-67
222751	2-35, 3-63	223167	2-19	223304	2-37, 3-65
222752	2-35, 3-63	223168	2-19	223316	2-82
222753	2-35, 3-63, 4-8	223169	2-19	223317	2-82
222794	2-69, 3-67	223170	2-19	223320	2-25
222818	2-35, 3-63	223171	2-19	223329	2-77
222820	2-35, 3-63	223181	2-19	223330	2-11
222824	3-61	223183	3-13, 3-15, 3-17, 3-19	223332	2-15, 2-57
222826	2-33	223186	2-21	223341	4-16
222835	2-33, 3-61	223193	2-19	223342	4-16
222836	2-29, 3-57	223196	2-19	223344	4-16
222846	3-53, 3-81	223197	2-19	223345	4-15
222877	4-8, 4-9	223198	2-21, 3-95, 3-115	223347	4-15
22290	3-107	223201	2-21	223349	4-15
223021	3-27	223204	2-21	223350	2-9, 3-45, 3-74, 3-75, 3-99, 3-110
223023	3-9	223208	2-19	223351	4-6
223025	3-7	223209	2-21	223352	4-6
223027	3-5	223210	2-63	223353	2-9
223029	3-3	223218	2-63	223355	2-61, 3-81
223031	3-29	223225	2-65	223356	2-61, 3-81
223035	3-11	223226	2-65	223358	2-29, 3-57, 4-6
223039	3-115	223227	2-63	223359	3-13, 3-15, 4-13
223041	2-43	223228	2-3, 2-39, 2-41	223360	2-63
223043	2-9	223229	2-65, 2-67	223361	2-61, 3-81
223044	2-9	223230	2-65	223362	2-61
223045	2-15	223232	2-47	223364	2-61, 3-81
223046	2-17	223233	2-47	223365	2-77, 2-81
223047	2-17	223235	2-47	223366	2-61
223049	2-17	223238	2-47	223367	2-77
223054	2-63	223239	2-25	223368	2-77
223057	2-19, 4-7	223246	2-61		
223058	2-17	223247	2-47		

# CROSS REFERENCE

Part Number	Page Number	Part Number	Page Number	Part Number	Page Number
223369	2-77	223547	2-63	22892	2-61, 3-81, 4-15, 4-16
223370	2-77	223549	2-11	23456	3-47, 3-49
223373	3-51	223550	2-17	23683	3-85
223377	3-53	223555	2-82	24174	2-39, 2-41, 3-25
223385	3-11	223559	2-19	24199	3-107
223390	3-11, 3-77	223560	2-35, 3-63	24265	2-49
223400	2-33	223561	2-35, 3-63	24299	2-5, 2-7
223412	2-33, 3-61	223563	2-35, 3-63	24358	2-39, 2-41, 2-45, 3-25
223413	3-65	223564	2-35, 3-63	24537	4-6, 4-8, 4-9, 4-10, 4-12
223414	3-69	223566	2-35, 3-63	24881	4-17, 4-18, 4-19, 4-20
223428	3-69	223568	2-3, 2-35, 3-63	25006	2-17
223430	3-69	223569	2-3, 2-35, 3-63	25015	2-69
223433	3-69	223578	3-45	25047	2-25
223442	2-33, 3-61	223580	2-33	25312	3-115
223450	3-69	223589	2-37, 3-65	25537	2-11
223459	2-27	223590	2-69, 3-67	25709	2-31, 2-37, 3-59, 3-65
223464	2-27	223593	2-3, 2-69, 3-67	25735	2-65, 2-67
223466	3-73	223595	3-112	25778	3-47
223469	2-27	223597	3-112	25781	3-49
223476	3-73	223599	2-11, 3-114	25783	3-47, 3-49
223478	2-29	223600	2-25	26395-1	3-87, 3-103
223489	2-31, 3-59	223601	2-25	27048	2-51
223490	3-33, 3-35, 3-37	223603	2-13	28096P	2-7, 3-93, 3-103
223492	3-33	223605	3-114	29558	3-85
223495	3-13	223606	2-3, 2-69	29570	3-89, 3-91
223496	3-31, 3-95	223607	2-3, 2-69	30013	2-43, 3-29, 3-33, 3-37
223497	2-45	223608	2-3, 2-69	30058	4-17, 4-18, 4-19, 4-20
223498	3-13	223609	2-31, 2-37, 3-59, 3-65	30533	3-113
223499	2-45	223610	2-19	32124	2-29, 3-57
223500	3-13, 3-15, 3-17, 3-19, 3-21	223612	3-57	32183	2-39
223506	2-43	223618	3-57	32408	3-89, 3-91
223507	2-43	223623	2-3, 3-57	32483	2-11, 3-7, 3-9, 3-71, 3-83, 3-87, 3-93, 3-97, 3-103, 3-109, 3-114
223508	2-13	223631	2-19	32485	2-25, 3-83
223509	2-39, 2-41	223637	2-31, 3-59	32486	2-25, 2-27, 3-11, 3-69, 3-77, 3-109, 3-113
223512	2-27	223638	3-51	32490	2-17, 2-21, 2-25, 2-65, 2-67, 3-69, 3-83, 3-85, 3-107, 3-109
223515	2-47, 3-15	223639	3-51	32491	2-11, 2-13, 2-19, 2-21, 2-49, 3-3, 3-5, 3-27, 3-33, 3-37, 3-69, 3-79, 3-85, 3-91, 3-99, 3-109, 3-110
223516	2-29, 3-57	223640	3-31	32492	2-27, 3-69, 3-79, 3-85
223517	2-27, 3-69	223641	3-53, 3-81	32493	2-13, 2-27, 3-85, 3-105
223518	2-27, 3-69	223644	3-115	32501	2-39, 2-41, 3-25
223519	2-3, 2-29	223645	2-27	32508	2-39, 2-41, 3-25
223520	2-3, 2-29	223649	3-33	32516	3-97
223521	3-31	223650	2-11	32548	2-9
223522	3-33, 3-35, 3-37	223654	2-37, 3-65	32613	2-39, 2-41, 3-25
223523	3-31	223666	3-57	32614	2-39, 2-41, 3-25
223524	3-13	223669	2-3, 3-57	32669	2-39, 2-41, 3-25
223525	2-3, 2-43, 3-29	223670	3-61	32720	3-89, 3-91
223526	3-13	223672	2-31, 3-59	32746	2-5, 2-7
223527	2-3, 2-45	223677	4-7, 4-11	32790	2-45
223528	2-39, 2-45, 3-13, 3-15, 3-17, 3-19, 3-21	223678	4-7, 4-11	32960	2-65, 2-67
223532	2-3, 2-43, 3-29	223679	3-54, 3-55		
223533	2-39, 2-41, 3-25	223681	3-54, 4-15		
223534	2-9	223683	3-54, 4-16		
223537	2-29	223685	3-55		
223538	2-29	223687	3-55		
223539	3-57	223689	3-55		
223541	2-65, 2-67	223691	3-55		
223545	2-19	223695	3-113		
223546	2-9	223696	3-117		
		223699	3-15		
		22731	2-21		

# CROSS REFERENCE

Part Number	Page Number	Part Number	Page Number	Part Number	Page Number
32980	2-25, 2-47, 3-97	369418	3-71	374299	2-19
32981	2-25	369421	3-71	375010	4-13, 4-14
32983	2-11	369426	3-71	375011	4-13
32984	2-17, 3-97	369431	3-69	375014	3-47, 3-49
32989	2-57	369434	3-71	375176	4-9
330040	3-117	369435	3-79	375177	4-9
330042	3-117	369447	3-81	375178	4-9
330043	3-117	369449	2-43, 3-29	375179	4-9
330044	3-117	369451	2-43	375195	2-35, 3-63
330045	3-117	369453	2-43	375302	2-39, 3-21
330710	3-117	369454	2-9	375411	2-11
33806	2-11, 2-13	369455	3-29	375426	2-39
33807	2-11	369456	3-29	375427	3-21
33925	2-23, 2-37	369459	2-67	377328	3-79
33944	2-61	369460	2-35, 3-63	377349	2-39, 2-41, 2-45
33948	2-63	369462	3-79	377364	2-29
33950	3-11, 3-77	369466	3-79	377384	2-7
360271	2-19	369470	3-79	377391	2-7
360273	2-21	369473	3-79	377433	2-15
360274	2-21	369474	3-79	377505	2-3, 2-35
360275	2-21	369478	3-79	378983	4-3
360276	2-21	369481	3-79	37909	4-3
360347	3-65	369483	3-73, 3-81	37912	4-3, 4-5
360357	3-109	369487	3-79	379202	2-35, 3-63
360369	2-11	369488	3-73	37926	4-3
360370	2-11	369490	3-69	37929	4-3, 4-5
360518	2-9	369496	3-79	382726	3-89, 3-91
360973	2-45	36959	3-69	383699	2-19, 4-11
361076	2-15	369702	2-9	383707	2-19
361144	2-15	369781	3-85	383712	2-19
363087	3-107	369795	3-93, 3-103	383713	2-19
364085	3-45, 3-75	369796	3-93, 3-103	383721	2-57
365095	3-21	369865	3-21	383910	3-83, 3-107, 3-110
36619	3-107	369869	3-21	384937	2-13
36643	2-63	369889	2-45	385600	3-73
369313	3-13, 3-15, 3-17, 3-19, 3-23	369894	2-39	385603	3-45, 3-75
369319	2-23	369895	3-13, 3-15, 3-17, 3-19	385606	2-9
369323	2-23	370090	2-5	385610	3-77
369331	3-15, 3-23	370091	2-5	385612	3-79
369332	3-15, 3-23	370093	2-7	385616	3-77
369337	3-69	370095	2-7	385617	2-43, 3-29
369338	2-37	370100	2-69, 3-67	385618	3-17, 3-19, 3-21
369343	2-31, 3-59	370173	2-17	385622	2-63
369345	2-23	374004	4-8, 4-9	385624	3-17, 3-19, 3-21
369349	3-27	374006	3-61	385625	3-17
369359	3-69	374008	2-33	385628	3-17, 3-19, 4-14
369362	3-79	374017	4-15	385632	3-37
369371	3-79	374018	4-15	385638	4-14
369372	3-79	374022	4-15	385639	3-17
369373	3-79	374023	4-15, 4-16	385640	2-77
369381	3-3, 3-5, 3-27	374027	4-16	385644	3-17
369386	3-71	374029	4-16	385646	2-67
369400	3-3, 3-5, 3-27	374041	2-5	385648	2-67
369401	2-27	374043	2-7	385649	3-17, 3-19, 3-23
369402	3-69	374077	3-43	385650	2-19
369403	2-23	374122	2-15	385651	3-37
369407	2-65	374175	2-35, 3-63, 4-9	385654	3-35
369408	2-27	374260	2-17	385658	3-35
369415	3-73	374266	3-89, 4-12	385665	3-19, 3-21, 3-23
		374273	4-12	385666	3-19, 3-21



# CROSS REFERENCE

Part Number	Page Number	Part Number	Page Number	Part Number	Page Number
385667	3-17, 3-19, 3-21	392219	3-89	397061	3-109
385678	2-67	392220	2-69	397064	3-109
385680	2-63	392221	2-69	397200	3-109
385682	3-17	392222	2-7, 3-89	397225	3-87
385685	2-39, 2-41, 3-19, 3-21	392226	3-87	397608	2-17
385726	2-25	392231	3-87	397609	2-17
385727	2-25	392232	3-93, 3-103	397638	3-69
385739	3-74	392233	3-85	397644	2-41, 3-3, 3-5, 3-27
385742	4-7, 4-11	392234	3-89	397649	3-3, 3-5, 3-27
385750	2-39, 3-21	392238	3-93	397684	3-23
385766	3-116	392239	3-87	397914	2-5
386425	3-21	392240	3-89	397918	2-7
386810	2-17, 3-97	392241	3-89	397974	2-5
387151	3-107	392244	3-93, 3-103	397978	2-7
387700	2-25	392247	3-97	398303	2-69
38889	4-19, 4-20	392248	2-17	398304	2-69, 3-67
389865	2-69	392252	3-89, 3-91	398307	2-67
389867	3-67	392254	3-95	398308	3-67
39005	2-63, 2-69, 3-71	392256	3-95	398309	2-67
39019	2-31, 2-37, 3-59, 3-65	392258	3-95	398310	2-67
390665	3-69	392261	3-87	398474	2-51
390992	2-27, 3-69	392266	3-109	398500	3-97
390996	2-35, 3-63	392267	3-107	398511	4-5
391401	2-13	392268	3-107	398512	4-5
391451	2-45	392269	3-107	398513	4-5
391920	2-58	392270	3-107	398514	4-5
392104	3-103	392277	3-107	398515	4-5
392128	3-83	392283	3-110	398516	4-5
392129	3-83	392286	3-85	398517	4-5
392135	3-83	392287	3-87	398518	4-5
392143	3-83	392288	3-87	398519	4-5
392144	3-83	392291	3-87	398520	2-43, 3-29, 4-5
392145	3-83	392293	3-111	398526	2-57, 3-27
392146	3-97	39277	3-107	398806	3-83
392147	3-97	39279	3-85	399000	2-9
392151	3-83	39283	3-79	399524	3-109
392152	3-97	39284	2-25	40758	2-63
392154	3-93, 3-103	393056	3-85	41169	3-73
392158	3-85	393057	2-17	41178	2-9, 2-11, 3-114
392166	3-103	393058	2-17	41185	3-89, 3-91
392169	3-99	393059	3-85	41186	2-29, 3-57, 3-83, 3-89, 3-93, 3-103
392173	3-95	393060	3-85	41187	2-13, 3-107
392181	2-81	393063	3-83	41305	3-107
392182	3-101	393065	3-83, 3-85	41309	4-13, 4-14
392183	3-111	393071	3-105	41310	4-14
392194	3-83	393074	2-43, 3-29	41311	4-13, 4-14
392195	3-83	393077	3-105	41312	4-13, 4-14
392198	3-85	393078	3-105	41341	3-107
392200	3-87	393080	3-105	41345	3-113
392202	3-87	393083	3-105	41358	2-27
392203	3-87	39312	2-25, 3-109	41359	3-87
392204	3-87	39313	3-79	41360	2-35, 3-63, 3-89
392206	2-69	39326	2-13	41421	2-39, 2-41, 3-25
392207	3-89	39349	3-97	41430	2-25, 3-79, 3-83
392208	3-89	39350	3-79	41451	2-39, 2-41, 3-25
392209	3-89	39612	3-3, 3-5, 3-27	41454	2-39, 2-41, 3-25
392213	3-89	39648	2-47, 3-97	41579	2-5, 2-7
392214	3-91	397034	3-109	41619	3-65, 3-73
392215	3-89, 3-91	397056	2-7, 3-109	41698	3-107
392216	3-91	397060	3-85		

# CROSS REFERENCE

Part Number	Page Number	Part Number	Page Number	Part Number	Page Number
41702	2-17	57164	2-17, 3-27, 3-31, 3-97	61837	4-17, 4-18
42133A	3-19, 3-21	57167	2-17	62595-4	2-13, 3-3, 3-5, 3-27
42384	2-29, 3-57	57220	3-7, 3-9	630358	3-107
43611	2-47	57578	2-39, 3-21	630447	3-85
43844	3-31	57751	2-17, 3-27, 3-31, 3-97	63244-3	3-15, 3-19, 3-95
43953	2-67	57772	2-17	63245-1	2-29, 2-33, 3-57, 3-61
44078	2-17	57803	2-17	63416	2-65, 2-67
44681-1	3-3, 3-7	578060000	3-41	63810	3-17, 3-19, 3-21, 3-23
44681-2	3-3, 3-7	578061000	3-41	63987-1	2-33, 3-61
44681	3-3, 3-7	578063000	3-41	64173	2-37, 3-59, 3-65
44683-1	3-3, 3-7	578064000	3-41	64173	2-31
44906	2-31, 2-37, 3-57, 3-59, 3-65	578066000	3-41	64425	2-31, 2-37, 2-63, 3-59, 3-65
44961	2-29, 2-35, 3-57, 3-63	57807	2-17, 3-31	64740	2-51
45280	2-37	578071000	3-39	64743	2-51, 2-55
45283	3-3, 3-5, 3-7, 3-9	578072000	3-39	64778	2-51
45405	2-17	578074000	3-41	65340	3-41
45960	2-27, 3-69	578077000	3-41	65341	3-39
45962	2-61	578078000	3-41	65342	3-31
46563	2-21	578091000	3-41	65540	3-55, 4-17
46657	3-109	578094000	3-41	65557	3-31
46820	2-13	578123000	3-41	65561	2-17
48734	3-47, 3-49	578124000	3-41	65580	3-33, 3-35, 3-37, 3-43
48748	3-89	578125000	3-41	65582	3-41
48749	3-91	578126000	3-41	65610	3-41
48755	4-7, 4-11	578143000	3-41	65613	4-19
48758	4-7, 4-11	578154000	3-41	65614	4-19, 4-20
48790	3-71	578155000	3-41	65616	4-19, 4-20
49142	3-19	578160000	3-39	65618	4-19
49186	3-31	578161000	3-41	65619	4-19, 4-20
49225	2-19	578164000	3-41	65620	4-17, 4-18, 4-19, 4-20
49263	3-61, 3-85	578214000	3-41	65630	4-15, 4-16, 4-19, 4-20
49266	2-49, 3-3, 3-5, 3-7, 3-9, 3-23, 3-27	57824	2-19	65632	4-17, 4-18
49287	2-61	578276000	3-39	65634	4-17
49609	2-25	578318000	3-39	65665	2-15
49694	2-69, 3-67	578439	3-41	65668	4-14
49745	2-39, 2-45, 3-21	578820000	3-39	65724	4-18
49826	2-39, 2-41, 2-43, 2-45, 2-61, 3-13, 3-15, 3-17, 3-19, 3-23, 3-29	578821000	3-41	65726	4-20
50682	2-27, 3-69	579112	3-41	65727	4-20
50850	2-17	58078	3-79	65740	3-55, 4-18
50902	2-27, 3-69	58366	2-19, 2-53	65954	4-15, 4-16, 4-17, 4-18
51109	2-21	58518	3-5, 3-9	65958	4-17, 4-18
51225-1	2-27	58519	3-5, 3-9	65959	4-17, 4-18, 4-19, 4-20
51317	3-69	58520	3-5, 3-9	66185	3-79
51534	3-69	58595	3-69	67312	2-27, 2-67, 3-85
54093	2-9	58670	2-17	67366	2-33
54333	2-29, 2-33, 2-47, 2-51, 2-53, 2-55, 3-57, 3-61	59009	2-11, 2-21	67767	2-11
54400	3-85	59156	3-89, 3-107	69234	2-47
54607	2-21	59447	3-7, 3-9	69461	2-11
54623	3-85	59658	2-19	69582	2-31, 2-37, 3-59, 3-65
54660	3-45, 3-75, 3-79	59668	3-57, 3-107	69785	3-21
55094	3-79	59861	3-69	71090	2-65, 2-67
55248	2-49, 3-3, 3-5, 3-7, 3-9, 3-27	59965	3-107	71211	2-65, 2-67
55272	3-3, 3-5, 3-7, 3-9	602036000	3-41	71257	2-65, 2-67
56106	2-19	60373	3-5, 3-9	71525	3-7, 3-9
		60386	4-3, 4-5	71607	2-31, 2-37, 3-59, 3-65
		61297	4-3, 4-5	71608	2-31, 2-37, 3-59, 3-65
		61298	4-3	71628	3-13, 3-15, 3-17
		61300	4-3, 4-5	71658	2-63
		613732	3-41	71793	2-47
		613735	2-49		

<b>Part Number</b>	<b>Page Number</b>	<b>Part Number</b>	<b>Page Number</b>
72084	3-109	86859	2-3, 2-31, 2-37, 3-59, 3-65
72968	3-33, 3-35, 3-37, 3-43	86860	2-31, 2-37, 2-47, 3-59, 3-65
73142	2-39, 2-41	86865	2-3, 2-31, 2-37, 3-59, 3-65
73468	3-13, 3-15, 3-17, 3-19, 3-21	86866	2-27, 3-85, 3-109
73471	3-95	86952	3-85
73473	3-15	87318	2-17
74077	2-35, 2-37, 3-63, 3-65	87435	2-61, 3-81
74455	2-9, 2-21, 2-25, 2-33, 3-61, 3-89, 3-97	87725	2-25
75611	2-39, 2-41, 2-45, 3-17, 3-21	9000845	3-5, 3-9
75635	3-47, 3-49	9000846	3-3, 3-7
76062	2-17	9000879	3-3, 3-5, 3-7, 3-9
76075	3-31	9001056	3-54
76099	2-33, 2-35, 2-37, 3-61, 3-63, 3-65	9001061	3-55
763115	3-101, 3-111	9002021	2-3, 2-49
763116	3-89	97031	2-21
76570	3-85		
768897	3-95		
77335	3-109		
77347	2-31, 2-65, 2-67, 3-59		
77488	2-63		
78122	3-31		
78553	2-15		
78950	4-13		
78951	4-13		
78952	4-13		
79246	3-107		
79273-1	2-53, 2-55, 3-19, 3-21		
79273-2	3-21		
79273-4	2-47		
79320	2-39, 2-41, 3-25		
79451	3-95		
79484	3-31		
79506	2-31, 3-59		
80127	3-93, 3-103		
80491	3-109		
81580	3-83, 3-110		
81581	3-83, 3-110		
81582	3-107		
81919	3-93, 3-103		
81940	3-89, 4-10		
82138	2-3, 2-69, 3-67		
82727	2-9		
82839	2-25		
82889	2-27, 3-85		
83380	3-79		
86328	2-49		
86330	3-7, 3-9		
86332	3-7, 3-9		
86509	2-51		
86636	2-45		
86759	2-31, 2-37, 3-59, 3-65		
86780	2-27, 3-85		
86781	2-27, 2-67, 3-85		
86824	2-45, 2-47, 2-51, 3-13, 3-15, 3-31		

**PART DESCRIPTION TO PAGE NUMBER CROSS REFERENCE LIST**

**A**

Actuator, 36vdc, 03.4strk, 600 Lb, 3-85  
 Actuator, 36vdc, 03.4strk, 600 Lb, 3-85  
 Actuator, 36vdc, 05.0strk, 600lb, 2-27, 3-69  
 Actuator, 36vdc, 06.0strk, 300lb, 2-63  
 Adapter, Head / Wand [17b/E], 3-41  
 Alarm Assy, Backup, 12-48vdc  
     82-102dba, 3-27  
 Alarm Kit, Backup, Ci [7200], 3-27  
 Angle Wldt, Mtg, Cyl Head, Scr, 2-33  
 Angle Wldt, Mtg, 3-61  
 Angle, Cover, Tool Lift, 3-69  
 Angle, Latch Strike, 3-83  
 Arm Wldt, Brush, Main, Drive, 3-89  
 Arm Wldt, Brush, Side, Rh, 3-93  
 Arm Wldt, Lift, Tool, 3-69  
 Arm Wldt, Safety, Seat, 3-71  
 Arm Wldt, Safety, Sppt, Seat, .38d 06.5d,  
     2-11  
 Arm Wldt, Stop, Battery, 3-73  
 Arm, Brake, Side Brush, 3-107  
 Arm, Brush, Pre-Sweep, Idler, Lh, 3-91  
 Arm, Brush, Side, Lh, 3-103  
 Arm, Brush, Side, Lift, 3-107  
 Arm, Brush, Side, 3-107  
 Arm, Cntrl, Throttle, Electronic, 2-25  
 Arm, Flat, Stop, Battery, 0.31, 3-79  
 Arm, Lower, 3-85  
 Arm, Valve, Water, 1.6 Sl / .27h, Offset,  
     2-47  
 Armature, Motor [Ametek], 4-3  
 Armature, Motor [Ametex], 4-5  
 Assy, Star, 2.00d 3ear M08x1.25 4.3, 2-65,  
     2-67  
 Axle, Wand [17b/E], 3-41

**B**

Bag, Power, 3-33, 3-35, 3-37, 3-43  
 Balljoint, .25-28 Fem, .25-28 Mal, 2-25  
 Bar Wldt, Mtg, Battery [Rlr], 3-73  
 Bar Wldt, Mtg, Sqge, Lh, 2-37, 3-65  
 Bar Wldt, Mtg, Sqge, Rh, 2-37, 3-65  
 Bar, Rnd, Plstc, 0.38d 25.0l, 2-45  
 Battery Kit, R/O, Ci [7200], 3-81  
 Battery Kit, Wet, 36vdc 0335ah, Ci, 3-53  
 Battery Kit, Wet, 6-06vdc 0235ah, Ci, 3-51  
 Battery, Wet, 06vdc 0235ah, 3-51  
 Battery, Wet, 06vdc 0335ah, 3-53, 3-81  
 Bearing Assy, 2.33d 1.25b Cup / Cone Kit,  
     2-19  
 Bearing Assy, Cone, W/ Sleeve, 2-19  
 Bearing Assy, W/ Shaft, 3-89, 3-91  
 Bearing Kit, Motor, Ele [Magnetek], 4-12  
 Bearing Kit, Motor, Ele, Hd F/375175, 4-9  
 Bearing Kit, Wheel, Front Drive, Ci, 2-19  
 Bearing, Ball, 0.59b 1.26d 0.35w[2seal],  
     2-35, 3-63

Bearing, Ball, 0.59b 1.26d 0.35w, 3-89  
 Bearing, Ball, 0.75b 1.38d 0.50w, 2-13  
 Bearing, Ball, 0.75b 1.57d 0.47w, 2-23  
 Bearing, Ball, Motor, Ele [Av], 4-7, 4-11  
 Bearing, Cone, 1.97b 0.85w, 2-19  
 Bearing, Cone, 2.25b 0.86w, 2-19  
 Bearing, Cup, 3.23d 0.67w, 2-19  
 Bearing, Cup, 3.81d 0.63w, 2-19  
 Bearing, Flng, 2hole, 0.75b [Nyl], 2-13,  
     2-21, 3-79  
 Bearing, Flng, 2hole, 1.25b [Indiv Pkg],  
     3-69  
 Bearing, Motor, Ele [Magnetek], 4-8, 4-9,  
     4-10  
 Bearing, Motor, Ele, Hd [Magnetek], 4-9  
 Bearing, Motor, Vacfan, 4-3, 4-5  
 Bearing, Needle, 0.25b 0.88d 0.50w, 3-73  
 Bearing, Thrust, 0.50b 0.87d 0.06w, 2-31,  
     2-37, 2-47, 3-59, 3-65  
 Bearing, Thrust, 0.66b 1.25d 0.06w, 2-63  
 Bearing, Thrust, 2.75b 3.63d 0.13w, 2-19  
 Bearing, 4-5, 4-6  
 Bellcrank Wldt, Lift, Sqge, Rear, 2-63  
 Bellcrank, Lift, Sqge, 2-31, 2-37, 3-59, 3-65  
 Belt Kit, Drive, Brush, F/222201, Replmt,  
     2-3, 2-35  
 Belt, Synchronous, 15mm 05p 500l [Gt2  
     K], 3-63  
 Belt, V, 24.0l [3l], 3-89  
 Belt, V, 29.3l [3l], 3-89  
 Bezel, Panl, Touch, 2-15  
 Blade Kit, Sqge, Rbr [700], 2-3, 3-67  
 Blade Kit, Sqge, Rbr [900mm], 2-3, 2-69  
 Blade, Sqge, 300.8mml, Wand [17b/E, G],  
     3-41  
 Blade, Sqge, Front, 38.97l [700mm], 2-3,  
     3-67  
 Blade, Sqge, Front, 38.97l Rbr [700mm],  
     2-3, 3-67  
 Blade, Sqge, Front, 47.41l Oil-Rstn[36"],  
     2-3, 2-69  
 Blade, Sqge, Front, 47.41l Rbr [36"], 2-3,  
     2-69  
 Blade, Sqge, Front, 47.41l Rbr [900mm],  
     2-3, 2-69  
 Blade, Sqge, Rear, 40.93l Gum [28"], 2-3,  
     3-67  
 Blade, Sqge, Rear, 40.93l Linatex[700mm],  
     2-3, 3-67  
 Blade, Sqge, Rear, 40.93l Pyu [28"], 2-3,  
     3-67  
 Blade, Sqge, Rear, 49.37l Gum [36"], 2-3,  
     2-69  
 Blade, Sqge, Rear, 49.37l Linatex[900mm],  
     2-3, 2-69  
 Blade, Sqge, Rear, 49.37l Pyu [36"], 2-3,  
     2-69  
 Blade, Sqge, Tile, 38.97l [Linard, 28"], 2-3,  
     3-67  
 Bladeholder Wldt, Sqge, Disk, Lh, 2-31,  
     3-59

Bladeholder Wldt, Sqge, Disk, Rh, 2-31,  
     3-59  
 Block, Centering, 2-65, 2-67  
 Block, Sqge, Adj, 2-65, 2-67  
 Block, Stop, Lock, Battery Cart, 3-79  
 Bolt, Carriage, .38-16 X 2.50, 5, 3-89  
 Bolt, Shld, .50d X 4.25, .38-16, 2-27, 3-69  
 Boot, 90deg .50id .57id X .84id 1.0l,Blk,  
     2-19, 2-61, 3-81  
 Boot, Dome, .72id .72l, Clear, 2-17, 3-27,  
     3-31, 3-97  
 Box Wldt, Battery, R/O [No Battery], 3-73,  
     3-81  
 Brace Kit, Motor, Ele [Magnatek], 4-8, 4-9  
 Brace Wldt, Mtg, Seat, Ohg, 3-71  
 Bracket Wldt, Actuator, Sppt, 2-27  
 Bracket Wldt, Bar, Spray, 900mm [7200],  
     2-55  
 Bracket Wldt, Box, Detgt, 2-49  
 Bracket Wldt, Lift, Sqge, 2-65, 2-67  
 Bracket Wldt, Light / Alarm, 3-3, 3-5, 3-27  
 Bracket Wldt, Mtg, Fan, 3-29  
 Bracket Wldt, Mtg, Motor, 3-109  
 Bracket Wldt, Mtg, Seat Prop & Spring,  
     2-27  
 Bracket Wldt, Pivot, 2-67  
 Bracket Wldt, Wand, Power, 3-33, 3-37  
 Bracket Wldt, Wheel, Sqge, 2-69, 3-67  
 Bracket, Actuator, 3-85  
 Bracket, Angle, Cover, 2-45  
 Bracket, Angle, Keeper, Cable, 3-85  
 Bracket, Angle, Mtg, Sqge, 2-37, 3-65  
 Bracket, Angle, Mtg, 2-9  
 Bracket, Angle, Tray, 2-9  
 Bracket, Axle, 1 Hole [17b/E], 3-41  
 Bracket, Axle, 3 Hole [17b/E], 3-41  
 Bracket, Bar, Spray, 2-55  
 Bracket, Connector, 2-61  
 Bracket, Cover, 3-83  
 Bracket, Demister, 2-43  
 Bracket, Extinguisher, Fire, 3-115  
 Bracket, Guide, Hose, 2-33, 3-61  
 Bracket, Lift, Mtg, 2-27  
 Bracket, Lock, Seat, 2-11  
 Bracket, Motor, Vacfan, 4-3  
 Bracket, Mtg, Brake Pedal Switch, 2-21  
 Bracket, Mtg, Light, Ohg, 3-7, 3-9  
 Bracket, Mtg, Motor, 2-35, 3-63  
 Bracket, Mtg, Pivot, Sqge, 2-65  
 Bracket, Mtg, Pump, 3-13, 3-15, 3-17,  
     3-19, 3-21  
 Bracket, Mtg, Vacfan, 2-43  
 Bracket, Mtg, 2-39, 2-41, 2-45, 3-31  
 Bracket, Protector, Float Switch, 2-41, 3-21  
 Bracket, Retainer, Spring, 2-5, 2-7  
 Bracket, Rod, Prop, 3-85  
 Bracket, Shield, 2-35, 3-63  
 Bracket, Solenoid, Es, 3-17, 3-19, 3-23  
 Bracket, Sppt, Tank, Soltn, 2-45  
 Bracket, Stop, Battery Case, 3-79  
 Bracket, Timer, 2-57

Bracket, Wand, Handle, 3-41  
 Bracket, Wand, Power, 3-33, 3-35, 3-37  
 Bracket, Wand, Valve Mtg, 3-41  
 Bracket, 4-5  
 Brush Assy, Carbon, Motor, Ele, 3-93, 3-103  
 Brush Assy, Disk, Scb, 14.0 D, Nylon, 2-5  
 Brush Assy, Disk, Scb, 14.0 D, Polypropylene, 2-5  
 Brush Assy, Disk, Scb, 14.0d, Super Abrasive, 2-5  
 Brush Assy, Disk, Scb, Nylon, 2-7  
 Brush Assy, Disk, Scb, Polypropylene, 2-7  
 Brush Assy, Disk, Scb, Super Abrasive, 2-7  
 Brush Assy, Disk, Swp, 15.0 D, Polypropylene, 2-7  
 Brush Assy, Disk, Swp, 15.0 D, Pyp, 3-93, 3-103  
 Brush Assy, Disk, Swp, 17.5d, Polypropylene, 2-7  
 Brush Assy, Disk, Swp, 17.5d, Pyp, 3-109  
 Brush Endbell, Pump Water, 4-14  
 Brush Kit, Motor, Ele [lp], 4-6  
 Brush Kit, Motor, Ele [Magnetk], 4-8, 4-9, 4-10, 4-12  
 Brush Kit, Motor, Fan [1 Kit=2 Brsh], 4-5  
 Brush Kit, Motor, Fan [Kit=2brushes], 4-3  
 Brush Kit, Side, Lh, Ci, 3-103  
 Brush, Motor, Ele [Av], 4-7, 4-11  
 Brush, Power Wand, W/ Fastener, Abr, 3-41  
 Brush, Power Wand, W/ Fastener, Pyp, 3-41  
 Brush, Scb, 28l, Abrasive, 2-5  
 Brush, Scb, 28l, Polypropylene Grout, 2-5  
 Brush, Scb, 28l, Polypropylene, 2-5  
 Brush, Scb, 28l, Soft Nylon, 2-5  
 Brush, Scb, 36l, Abrasive, 2-7  
 Brush, Scb, 36l, Polypropylene Grout, 2-7  
 Brush, Scb, 36l, Polypropylene, 2-7  
 Brush, Scb, 36l, Soft Nylon, 2-7  
 Brush, Swp, 32l, 6dr, Polypropylene, 2-7  
 Brush, Swp, 32l, 6dr, Pyp, Spl, 3-89  
 Brushholder, Motor, Ele, 3-93, 3-103  
 Bumper Kit, Rlr, Side, Ci [7200], 3-45  
 Bumper Wldt, Battery, R/O [700mm], 3-74  
 Bumper Wldt, Battery, R/O, 3-45, 3-75  
 Bumper Wldt, Side, Scb, 2-9  
 Bumper Wldt, Side, 3-99  
 Bumper, Rbr, 2.5d X 1.00, 3-79  
 Bumper, Sqge, 2-69, 3-67  
 Bushing, Flng, 0.44b 1.25d 0.25l, 3-107  
 Bushing, Flng, 0.50b 0.59d 0.38l, 2-27, 3-69, 3-89, 3-107  
 Bushing, Flng, 0.50b 0.66d 0.38l, Ss, 3-85  
 Bushing, Flng, 0.63b 0.75d 0.38l, 2-65, 2-67  
 Bushing, Sleeve, 0.37b 0.50d 0.50l, Oib, 2-21  
 Bushing, Sleeve, 0.50b 0.59d 0.38l, Stil, 2-31, 2-37, 3-59, 3-65  
 Bushing, Sleeve, 0.63b 0.72d 0.38l, 2-31, 2-37, 3-59, 3-65

Bushing, Sleeve, 0.78b 0.86d 0.93l, Bnz, 2-19

**C**

Cable Assy, 04ga .34ring /.34ring, 175a, 2-61, 3-81  
 Cable Assy, 06ga Red / Blk, 050a /175a, 3-54, 3-55  
 Cable, 04ga 08.0l Blk .34ring /.34ring, 2-61, 3-81  
 Cable, 04ga 12.0l Blk .34ring /.34ring, 2-61, 3-81  
 Cable, 04ga 18.0l Blk .34ring /.34ring, 2-61, 3-81  
 Cable, 06ga 07.0l Blk .28ring /.34ring, 2-77, 2-81  
 Cable, 06ga 07.0l Blk .34ring /.34ring, 2-77, 2-81  
 Cable, 06ga 09.0l Blk .28ring /.34ring, 2-77  
 Cable, 06ga 11.0l Blk .28ring /.34ring, 2-81  
 Cable, 06ga 45.0l Blk .34ring /.41ring, 2-77  
 Cable, 06ga 46.0l Blk .34ring /.34ring, 2-19  
 Cable, 06ga 46.0l Blk .34ring /.41ring, 2-77  
 Cable, 06ga 47.0l Blk .34ring /.41ring, 2-77  
 Cable, 06ga 48.0l Blk .34ring /.34ring, 2-19  
 Cable, 06ga 50.0l Blk .34ring /.41ring, 2-77  
 Cable, Cover, Recvy Tank [7200], 2-45  
 Cable, Glv .13d 014.9l .41eye / M10, 3-109  
 Cable, Glv .19d 028.3l .4clevis /.55eye, 3-85  
 Cable, Pull, 061.0l, Clevis / Clevis, 2-21  
 Cable, Ss .12d 015.6l .2clevis /.2clevis, 2-63  
 Cable, Ss .13d 015.7l .25eye / M06-1.0, 3-87  
 Cam, Adj, Sqge, 2-69, 3-67  
 Cam, Brake, 2-21  
 Cam, Brg Kit, Pump, Water, 4-13, 4-14  
 Cap Assy, Soltn, W/ Valve [Posi Cntrl], 3-47, 3-49  
 Cap Assy, Tank, Drain, 2-39, 2-41, 2-45, 3-25  
 Cap, Battery, 3-53, 3-81  
 Cap, Brush, Motor, Ele, 3-93, 3-103  
 Cap, Hub, Dust, 3.22d 2.13l, 2-19  
 Cap, Plstc, .04 1.38 X 2.30 0.5l, 2-61  
 Cap, Tank, Drain, 2.25 Thread Pye, 2-39, 2-41, 3-25  
 Cap, Tank, Drain, 3.85 Thread Pye, 2-39, 2-41, 3-25  
 Cap, Tank, Drain, 6.17 Thread Pye, 3-47, 3-49  
 Cap, Vyl, 0.94id 1.00l Blk, 2-45  
 Cap, Brush Holder, Motor, Ele [Magnetek], 4-8, 4-9, 4-10, 4-12  
 Capacitor [15uf], 4-20  
 Cart Kit, Battery, Ci, R/O [6100], 3-79  
 Caster Assy, 2-19  
 Caster, Rigid, 5.0d X 2.0w, 4hole, 3-79  
 Caster, Swivel, 2.5d 1.3w, .50-13 Stem, 2-3, 2-69, 3-67

Caster, Swivel, 3.0d 1.0w, .50-13 Stem, 3-105  
 Caster, Swivel, 3.0d 1.0w, Stem W/ Brake, 3-105  
 Caster, Swivel, 5.0d 2.0w, 4hole, Gray, 3-79  
 Chain, Coil, Str, 2/0, 06.9l 05 Link, 2-63  
 Chain, Rlr, #35, 104 Pitches, 2-13  
 Channel Wldt, Dolly, 3-105  
 Channel Wldt, Front, 2-13  
 Channel Wldt, Lift, Tool, 2-27, 3-57  
 Channel Wldt, Mtg, Actuator / Spring, 2-27  
 Channel Wldt, Mtg, Actuator, 3-69  
 Channel Wldt, Mtg, Sqge, 2-63  
 Channel Wldt, Tool, Lift[700mm R/O Disk], 3-69  
 Channel Wldt, Tool, Lift, 3-69  
 Channel, .18, 0.4w 0.5 37.0l, 2-33  
 Channel, .18, 1.5w 2.6 01.9l, 2/ M8, 3-93, 3-103  
 Channel, .18, 1.9w 2.3 05.3l, 4hole, 3-69  
 Channel, .18, 27.8w 2.3 0.9l, 5/0.3h, 3-73  
 Channel, Nyl, 0.5h 0.27w 29.0l, 3-61  
 Charger Kit, 36vdc 020a 230vac, Ci, 3-55  
 Charger Kit, 36vdc 020a 245vac, Ci, 3-55  
 Charger Kit, 36vdc 030a 230vac, Ci, 3-55  
 Charger Kit, 36vdc 030a 245vac, Ci, 3-55  
 Charger Kit, 36vdc, Ci [Domestic/Export], 3-54  
 Charger Kit, 36vdc, Ci[Export/Euro/Asia], 3-55  
 Charger, 36vdc 20a 120vac 1ph 60hz (See Breakdowns), 3-54  
 Charger, 36vdc 20a 120vac 1ph 60hz, 4-15  
 Charger, 36vdc 20a 230vac 1ph 50hz (See Breakdowns), 3-55  
 Charger, 36vdc 20a 230vac 1ph 50hz, 4-17  
 Charger, 36vdc 20a 245vac 1ph 50hz (See Breakdowns), 3-55  
 Charger, 36vdc 20a 245vac 1ph 50hz, 4-18  
 Charger, 36vdc 30a 120vac 1ph 60hz (See Breakdowns), 3-54  
 Charger, 36vdc 30a 120vac 1ph 60hz, 4-16  
 Charger, 36vdc 30a 230vac 1ph 50hz (See Breakdowns), 3-55  
 Charger, 36vdc 30a 230vac 1ph 50hz, 4-19  
 Charger, 36vdc 30a 245vac 1ph 50hz (See Breakdowns), 3-55  
 Charger, 36vdc 30a 245vac 1ph 50hz, 4-20  
 Circuitboard, Pedal, 2-25  
 Circuitbreaker, 10.0a, Resetable, 2-17, 3-27, 3-31, 3-97  
 Circuitbreaker, 10.0a, 2-57  
 Circuitbreaker, 15.0a, Resetable, 2-17  
 Circuitbreaker, 15.0a, 4-15  
 Circuitbreaker, 20.0a, Resetable, 2-17  
 Circuitbreaker, 25.0a, Resetable, 2-17, 3-97  
 Circuitbreaker, 40.0a, Resetable, 3-29  
 Circuitbreaker, Chrgr, Battery, 4-19, 4-20  
 Circuitbreaker, 4-15, 4-16, 4-17, 4-18  
 Clamp, Brushholder, 4-3

## CROSS REFERENCE

Clamp, Cable, Stl, 0.56d X 0.38w, 1hole, 3-87, 3-103  
Clamp, Cable, Stl, 0.69d X 0.62w, 1hole, 2-11  
Clamp, Cable, Stl, 0.75d X 0.88w, 1hole, 2-61  
Clamp, Cable, Stl, 1.00d X 0.75w, 1hole, 2-47  
Clamp, Cable, Stl, 1.0x2.0x0.62w, 1hole, 2-33  
Clamp, Cable, Stl, 1.25d X 1.00w, 1hole, 2-19, 2-53  
Clamp, Cable, Stl, 1.50d X 0.75w, 1hole, 2-49  
Clamp, Hose, Ear, 11-13mm, Ss, 3-39  
Clamp, Hose, Ear, 8-11mm, Ss, 3-41  
Clamp, Hose, Plstc, 1.60d X 0.62w, 2-39, 2-41, 3-25  
Clamp, Hose, Wir, .40 - .42 [Dbl Wire], 2-49  
Clamp, Hose, Wormdrive, 0.25-0.62d, .31w, 3-31  
Clamp, Hose, Wormdrive, 0.31-0.88d, .31w, 2-29, 2-33, 2-47, 2-51, 2-53, 2-55, 3-57, 3-61  
Clamp, Hose, Wormdrive, 0.50-1.06d, .50w, 2-45, 2-47, 2-51, 3-13, 3-15, 3-31  
Clamp, Hose, Wormdrive, 0.56-1.06d, .56w, 3-17, 3-19, 3-21, 3-23  
Clamp, Hose, Wormdrive, 2.50-3.50d, .50w, 2-51, 3-17, 3-19, 3-21  
Clamp, Mtg, Tank, 2-39, 2-41  
Clevis, Adj, 0.38pin, M10x1.5, 3-109  
Clip, Circuitboard, 2-17  
Clip, Motor, Ele, 3-93, 3-103  
Clip, Stud, 2-15  
Condenser, Chrgr, Battery, 4-17, 4-18, 4-19  
Connector, Anderson, 175a, Gray, 2-61, 3-81, 4-15, 4-16  
Connector, Cable, Anderson, 50a, Gray, 4-17, 4-18, 4-19, 4-20  
Connector, Fem, 2cav, Mp280 Sealed, 4-13  
Connector, Fem, 2cav, Mp630 Sealed, 4-3, 4-5, 4-6, 4-8, 4-9, 4-10, 4-12  
Connector, Mal, 2cav, Wp Sealed, 4-14  
Contactor, 36vdc, 100a, Sp, No, 2-17, 3-97  
Contactor, 36vdc, No, 2-17  
Control, Chrgr, Battery, 4-17, 4-18, 4-19, 4-20  
Control, Circuit, Battery Chrgr, 4-15  
Control, Transformer, 4-17, 4-18, 4-19, 4-20  
Controller Kit, Mach, Replmt [7200], 2-17  
Controller Kit, W/ Pre-Sweep, Replmt, 2-17  
Controller Kit, W/O Pre-Sweep, Replmt, 2-17  
Controller, Chrgr, Battery, 4-16  
Controller, Motor, 36vdc 090a, 2-17  
Controller, Motor, 36vdc 100a [Curt1207], 2-17

Controller, Speed, 31-46vdc [Curtis], 2-25  
Conv Kit, Sqge, 700mm [Breakaway, 7200], 2-67  
Conv Kit, Sqge, 900mm [Breakaway, 7200], 2-67  
Cord Assy [Ac], 4-16  
Cord Assy, Ac, 4-15  
Cord Assy, Dc, 4-15, 4-16  
Cord, Chrgr, Ele [European], 3-55  
Cord, Extn, 16ga /3, 010ft [Sjt], 3-54  
Cover, Ele, 2-17  
Cover, Front, Oprtr Station [7200], 2-9  
Cover, Hpr, 3-83  
Cover, Insert, 2-39, 2-41, 3-25  
Cover, Panl, 3-97  
Cover, Relay, 3-97  
Cover, Seal, Rocker Switch, 2-17, 3-31  
Cover, Tank, Soltn / Recvy, 2-45  
Cover, Tank, 2-45  
Cuff, Swivel, 1.5 Blk, 3-39  
Cup Holder, Rwk, 2-11, 3-114

## D

Deflector, Water, 2-3, 2-35, 3-63  
Detergent, 2 Liter [Fast 965], 2-3, 2-49  
Detergent, Pkg, 2 Liter, Sgl [365], 2-3, 2-49  
Detergent, Pkg, 2 Liter, Sgl [665], 2-3, 2-49  
Device, Centering, Clip On, Tl [Gf Pp], 2-7  
Diaphragm Kit, Pump, Water, Repair, 4-13, 4-14  
Diode, Chrgr, Battery, 4-19, 4-20  
Diode, Ele, Plug, 2-58, 2-77, 2-81, 3-101, 3-111  
Disc, Armature, Motor, Vacfan, 4-3  
Disc, Spacer, Brush, 2-7  
Disk, Driver, Pad, W/ Face, 14.0d, 2-5  
Disk, Driver, Pad, W/ Face, 17.0d, 2-7  
Disk, Driver, Pad, W/ Face, 18.0d, 2-7  
Dolly Assy Kit, Ci [Pre-Sweep 7200], 3-105  
Door, Brush, 2-35, 3-63  
Drain Kit, Cap, 2-39, 2-41, 3-25  
Drain Kit, Posi Cntrl / Dual, Ci, 3-49  
Drain Kit, Soltn, Std [Posi Cntrl], 3-47  
Driver Assy, Pad, 14.0d, 2-5  
Driver Assy, Pad, 17.0d [432mm], 2-7  
Driver Assy, Pad, 18.0d, 2-7  
Drum, Cable, Lift, 2-63  
Duct, Vyl, 0.40 X 0.75 .25d 10.0l, 3-7, 3-9  
Duct, Vyl, 0.40 X 0.75 .25d 26.0l, 3-7, 3-9

## E

Ear, Pivot, Bmpr, 3-69  
End Assy, Mount, Brush, 4-8, 4-9  
Extinguisher Kit, Fire, Ci [7200], 3-115  
Extinguisher, Fire, 2.5 Lb Dry, 3-115

## F

Fan Assy, Vacuum Rep By 398520 (See Breakdowns), 2-43  
Fan Assy, Vacuum Rep By 398520, 3-29, 4-3  
Fan Assy, Vacuum, 5.7d, 036vdc, 3 Stage □(See Breakdowns), 2-43, 3-29  
Fan Assy, Vacuum, 5.7d, 036vdc, 3 Stage, 4-5  
Fan, Motor, Vacfan, 4-3  
Fan, 4-5  
Filter Assy, Air, Mold, Ure, 2-49  
Filter Assy, Panl, Scrbr [7200], 2-3, 2-43, 3-29  
Filter Kit, Backflush, Es, Ci [7200], 3-23  
Filter, Foam, Rbr, 1.20d, 1.0l, 2-53, 2-55  
Filter, In-Line, Pf06/Pf06, 80 Mesh, 2-51  
Filter, Panl, Dust, 1.0 X 06.0 X 11.0, 2-43, 3-29  
Filter, Screen, 050 Mesh .59d .8l Ss, 2-51  
Filter, Soltn, 20mesh, Pf16 3.1d 02.3l, 2-45  
Fitting Assy, Cap, 0.054b, Bm08/Pm04, 2-51  
Fitting Spray Nozzle Adapter, 3-41  
Fitting, Brs, E90, Bm03/Pm02, 2-39  
Fitting, Brs, E90, Bm08/Pm04, 2-53, 2-55  
Fitting, Brs, E90, Cf03/Pf02, 2-49  
Fitting, Brs, E90, Pf04/Pm04, 2-51  
Fitting, Brs, Qdc, Bm04/Pf04, 3-39  
Fitting, Brs, Qdc, Pm04, Plug, 3-41  
Fitting, Brs, Qdc, Pm04/Qf06, 3-31  
Fitting, Brs, Str, Bm04/Pm02, 2-49  
Fitting, Brs, Str, Pf02/Pm04, 2-51  
Fitting, Brs, Str, Pf04/Pf04, Bh, 3-31  
Fitting, Brs, Str, Pm02, Plug [Skhd], 3-41  
Fitting, Brs, Str, Pm04/Pm06, 2-51  
Fitting, Brs, Tee, Pf04/Pf04/Pf04, 2-51  
Fitting, Brs, Tip [75, .125k-Jet], 3-41  
Fitting, Coupler, Hose, Shank, Fem, 3-47, 3-49  
Fitting, Grease, Str Pm04 .47l, 2-19  
Fitting, Nyl, Str, Bm04/Pm04, 3-41  
Fitting, Plstc Rep.Bynone, 3-13  
Fitting, Plstc, Cap, Pf02/Pf12, Spcl, 3-95  
Fitting, Plstc, E45, Pf12/Pf12, 3-13, 3-15, 3-17  
Fitting, Plstc, E90 Rep.By397697, 3-21  
Fitting, Plstc, E90, Bm04/Pm02, 3-41  
Fitting, Plstc, E90, Bm06/Pm12, Nyl, 3-31  
Fitting, Plstc, E90, Bm08/Bm08, 2-33, 3-61  
Fitting, Plstc, E90, Bm08/Pm04, Nyl, 2-53, 2-55  
Fitting, Plstc, E90, Bm08/Pm06, 2-51  
Fitting, Plstc, E90, Bm08/Pm08, Nyl, 2-51  
Fitting, Plstc, E90, Bm08/Pm12, Nyl, 2-53, 2-55, 3-23  
Fitting, Plstc, E90, Bm08/Pm12, 3-15, 3-19, 3-95  
Fitting, Plstc, E90, Bm10/Pm12, 3-13, 3-15, 3-17, 3-19, 3-21  
Fitting, Plstc, E90, Bm12/Pm12, 3-17, 3-19, 3-21

Fitting, Plstc, E90, Bm12/Pm16, 2-45  
 Fitting, Plstc, E90, Pf12/Pm12, 3-21  
 Fitting, Plstc, Pf12/Pf12, Bh, 2-39, 2-41, 2-45  
 Fitting, Plstc, Pipe, Cap, Pf04, 2-49  
 Fitting, Plstc, Plug, Pm12, 2-39, 2-41, 2-45, 3-17, 3-21  
 Fitting, Plstc, Plug, Pm16, 2-39, 2-45, 3-21  
 Fitting, Plstc, Str, Bm04, Cplg, Fem, 2-49  
 Fitting, Plstc, Str, Bm06/Bm08, 3-95  
 Fitting, Plstc, Str, Bm06/Pm04, Nyl, 3-31  
 Fitting, Plstc, Str, Bm08/Pm06, 2-51, 2-55  
 Fitting, Plstc, Str, Bm08/Pm08, 2-47  
 Fitting, Plstc, Str, Bm08/Pm12, 2-53, 2-55, 3-19, 3-21  
 Fitting, Plstc, Str, Bm10/Pm12 [Nylon], 3-13, 3-15, 3-17  
 Fitting, Plstc, Str, Bm10/Pm12, 3-21  
 Fitting, Plstc, Str, Bm12/Pm12, 3-21  
 Fitting, Plstc, Str, Bm24/Bm24, 3-39  
 Fitting, Plstc, Str, Pf12/Pf12, 3-21, 3-23  
 Fitting, Plstc, Str, Pm04, Cplg, Mal, 2-49  
 Fitting, Plstc, Str, Pm12/Pm12 03.0l, 3-19, 3-21, 3-23  
 Fitting, Plstc, Str, Pm16/Pm16 4.0l, 3-13, 3-15, 3-17, 3-19, 3-21  
 Fitting, Plstc, Str, Pm16/Pm16 Close, 2-45  
 Fitting, Plstc, Tee, Bm04/Bm08/Bm08, Br, 2-53, 2-55  
 Fitting, Plstc, Tee, Bm08/Bm08/Bm08, 2-29, 2-33, 3-57, 3-61  
 Fitting, Plstc, Tee, Bm08/Bm12/Bm12, Br, 3-17  
 Fitting, Plstc, Tee, Bm10/Bm10/Bm10, 3-13  
 Fitting, Plstc, Tee, Bm12/Bm12/Pf08, Br, 2-51  
 Fitting, Plstc, Tee, Bm12/Pf12/Bm12, Br, 3-31  
 Fitting, Plstc, Tee, Pf12/Pf12/Pf12, 3-19, 3-21  
 Fitting, Plstc, Y, Bm08/Bm08/Bm08, Nyl, 2-53  
 Fitting, Stl, Qdc, Bm04, 3-39  
 Fitting, Str, 90deg, .62 X .75, 4-14  
 Frame Kit, Sqge, F/222411, Replmt, 2-69  
 Frame Wldt, Main [7200], 2-9  
 Frame Wldt, Mtg, Rlr, 3-79  
 Frame Wldt, Pre-Sweep, 3-83  
 Frame Wldt, Sqge, Lh, Cyl, 2-37, 3-65  
 Frame Wldt, Sqge, Rh, Cyl, 2-37, 3-65  
 Frame, Cart, Battery [7200], 3-79  
 Frame, Sqge [28], 3-67  
 Frame, Sqge, 114cm [90cm/36, 5700], 2-69  
 Fuse, 015a, Slow Blow [3ag], 2-17  
 Fuse, 080a 125volt 0.88 X 3.2l, 2-17  
 Fuse, Chrgr, Battery, 4-17, 4-18, 4-19, 4-20  
 Fuseholder, Chrgr, Battery, 4-17, 4-18, 4-19, 4-20

## G

Gasket, 2.00id 5.38od .19 [Buna], 3-47, 3-49  
 Gasket, 4.05id 5.29od .19 [Buna], 2-3, 2-39, 2-41, 2-45, 3-25  
 Gasket, Cap, Drain, 2-39, 2-41, 3-25  
 Gasket, Cap, 2-39, 2-41, 3-25  
 Gasket, Cover, 2-17  
 Gasket, Lid, 2-39, 2-41, 3-25  
 Gasket, Panl, Touch, 2-15, 2-57  
 Gasket, Shield, 2-3, 2-35, 3-63  
 Gauge, Ammeter, Chrgr, Battery, 4-19, 4-20  
 Gauge, Hourmeter, 12-60vdc, Analog [10k], 2-15  
 Gearbox, Str, 11:1ratio, 2-19  
 Grip, Handle, Rnd, 3-79  
 Grip, Handle, 2-47, 3-79  
 Grommet, 0.38id, F/0.6h, .06 Matl, 3-41  
 Grommet, Level Sensing, 1.6d 9.6l F/1.4h, 2-39, 2-45, 3-13, 3-15, 3-17, 3-19, 3-21  
 Grommet, Nyl, 0.75id, F/1.0h, .12 Matl, 3-79  
 Grommet, Rbr, 0.38id, F/0.5h, .12 Matl, 2-21  
 Grommet, Rbr, 0.62id, F/0.9h, .12 Matl, 3-3, 3-5, 3-7, 3-9  
 Grommet, Rbr, 0.63id, F/0.8h, .12 Matl, 2-47  
 Grommet, Rbr, 1.00id, F/1.4h, .12 Matl, 2-11, 3-95  
 Grommet, Rbr, 1.31id, F/1.6h, .12 Matl, 3-97  
 Grommet, Rbr, 1.50id, F/1.8h, .19 Matl, 2-9, 3-110  
 Guard Wldt, Ohg, Top, 3-11  
 Guard, Belt, Drive, Head, Scrbr, Lh, 2-35, 3-63  
 Guard, Belt, Lh, 2-35, 3-63  
 Guard, Belt, Rh [5700], 2-35, 3-63  
 Guard, Belt, 3-89  
 Guard, Bmpr, Brush, 3-109  
 Guard, Overhead, Top, R/O, 3-77  
 Guide, Sqge, Side, 2-3, 2-31, 2-37, 3-59, 3-65

## H

Handle Kit, Valve, 3-47, 3-49  
 Handle Wldt, Battery Cart, 3-79  
 Handle Wldt, Wand, 3-41  
 Harness [7200 Fast], 2-58  
 Harness, Alarm, Backup [7200], 3-3, 3-5, 3-27  
 Harness, Controller [7200], 2-61  
 Harness, Light, Flsh, Revl [355e], 3-7, 3-9  
 Harness, Main [7200], 2-77, 2-81  
 Harness, Main [7200scrbr], 2-77  
 Harness, Motor, 2-19  
 Harness, Sba, Retrofit [7200], 3-111  
 Harness, Sba, Rh [7200], 3-111

Harness, Switch, Seat [7200], 2-11  
 Harness, Swpr [7200 N.W.], 3-101  
 Head Wldt, Disk, 28inch Scrbr, 3-57  
 Head Wldt, Disk, 36/34inch Scrbr, 2-29  
 Head, Cutter, 4.50 4.75 Cutter, 3-115  
 Head, Wand [17b/E], 3-41  
 Headlight, 36vdc, 15cp 0.7a [0534242], 2-9  
 Hinge, .18pin .06 2.5w 19.0l, 7/0.29h&S, 3-83  
 Hinge, .25pin .07 3.5w 08.0l, 4/0.38h, 2-17  
 Hinge, .25pin .12 4.0w 04.0l, 4/0.30h, 2-11  
 Holder Kit, Cup / Sprayer, Ci [7200], 3-114  
 Hook, 3-17  
 Hopper Kit, W/ Cover, 3-83  
 Horn, 36vdc, Dba, 2-9  
 Hose Assy, Drain, 0.31id X 24.3l, Pvc, 2-39, 2-41, 3-25  
 Hose Assy, Pvc, 1.3id 1.7od 24.3l, 2-39, 2-41, 3-25  
 Hose Assy, W/1cuff, 1.5d 063l 1.5/, 2-3, 2-39, 2-41  
 Hose Assy, W/1cuff, 1.5d 120l 1.5/, 3-47, 3-49  
 Hose Assy, W/2cuff, 1.5d 089l 1.5/1.5, 3-43  
 Hose Assy, Wand, Power, 3-39  
 Hose, Afmkt, Pvc, Brd, 0.50id, 01ft, Clr, 2-51, 2-55  
 Hose, Afmkt, Pvc, Brd, 0.50id, 02ft, Clr, 2-51, 2-53  
 Hose, Afmkt, Pvc, Brd, 0.50id, 08ft, Clr, 2-53, 2-55  
 Hose, Afmkt, Pvc, Clr, 0.25id, 01ft, 2-49  
 Hose, Afmkt, Pvc, Clr, 0.25id, 08ft, 2-49  
 Hose, Pvc, Brd, 0.25id 0.44od 157.2l, Clr, 3-39  
 Hose, Pvc, Brd, 0.38id 0.60od 003.5l, Clr, 3-31  
 Hose, Pvc, Brd, 0.38id 0.60od 013.0l, Clr, 3-31  
 Hose, Pvc, Brd, 0.50id 0.72od 015.0l, Clr, 3-19, 3-23  
 Hose, Pvc, Brd, 0.50id 0.73od 002.0l, Clr, 3-95  
 Hose, Pvc, Brd, 0.50id 0.73od 009.6l, Clr, 2-29, 3-57  
 Hose, Pvc, Brd, 0.50id 0.73od 012.0l, Clr, 3-95  
 Hose, Pvc, Brd, 0.50id 0.73od 015.6l, Clr, 2-47, 3-15  
 Hose, Pvc, Brd, 0.50id 0.73od 024.0l, Clr, 3-15, 3-23  
 Hose, Pvc, Brd, 0.50id 0.73od 033.0l, Clr, 3-17  
 Hose, Pvc, Brd, 0.50id 0.75od 018.0l, Clr, 3-19  
 Hose, Pvc, Brd, 0.62id 0.88od 014.0l, Clr, 3-15  
 Hose, Pvc, Brd, 0.63id 0.88od 035.0l, Clr, 3-17, 3-19, 3-21  
 Hose, Pvc, Brd, 0.63id 0.91od 008.0l, Clr, 3-13

## CROSS REFERENCE

Hose, Pvc, Brd, 0.63id 0.91od 010.3l,Clr, 3-15  
Hose, Pvc, Brd, 0.63id 0.91od 016.0l,Clr, 3-13  
Hose, Pvc, Brd, 0.75id 1.03od 002.6l,Clr, 3-17  
Hose, Pvc, Brd, 0.75id 1.03od 023.0l,Clr, 3-17  
Hose, Pvc, Brd, 0.75id 1.03od 026.0l,Clr, 3-19, 3-21  
Hose, Pvc, Brd, 0.75id 1.03od 028.0l,Clr, 2-51  
Hose, Pvc, Brd, 0.75id 1.03od 058.0l,Clr, 2-47  
Hose, Pvc, Clr, 0.38id 0.56od 013.0l, 3-95  
Hose, Pvc, Clr, 0.38id 0.56od 022.0l, 3-95  
Hose, Pvc, Clr, 0.50id 0.69od 003.1l, 2-33, 3-61  
Hose, Pvc, Clr, 0.50id 0.75od 001.50l, 2-47  
Hose, Pvc, Clr, 0.94id 1.29od 04.0l, 2-53, 2-55  
Hose, Pyu, 0.25id 0.38od 1220mml, Blk, 3-41  
Hose, Vacuum, 0.16id X 008.0l, 2-39, 3-21  
Hose, Vacuum, 1.50id X 10ft, Gray, 3-39  
Housing Assy, Sppt, Front Drive Wheel, 2-19  
Housing Assy, Steering [7200], 2-13  
Housing Assy, Wheel, Rear [7200], 2-23  
Housing Kit, Wheel, Replmt [7200], 2-23  
Housing Wldt, Bmpr, Side, 3-110  
Housing Wldt, Brush, 3-87  
Housing, Brg, Wheel, Front, Swivel, 2-19  
Housing, Cyl, Mach, 700mm, 3-61  
Housing, Cyl, Mach, 900mm, 2-33  
Housing, Fan, Vac, 4-3  
Housing, Impeller, Vacfan, 4-3, 4-5  
Housing, Outlet, Vacfan, 4-3, 4-5  
Housing, 4-5  
Hub, Broom, Side, 3-109  
Hub, Drive, Brush, Disc, Repby 377364, 3-57  
Hub, Drive, Brush, Disk, 0.75b [6t], 2-29  
Hub, Drive, Brush, Disk, 3hole 5.8bc[6t], 2-5, 2-7

### I

Impeller, Vacfan, 4-3, 4-5  
Instr, Use And Care [7200], 2-82  
Isolator, Vib, Bshg, 1.0d 0.8l .4b 0.75h, 2-19

### J

Joint, U, 0.75id, 2-13

### K

Key, Ignition, Sgl, 2-15  
Key, Sq, 0.12 X 0.12, 1.00l, 4-8, 4-9  
Key, Sq, 0.19 X 0.19, 1.00l, 2-13

Key, Sq, 0.19 X 0.19, 1.25l, 3-89, 3-91  
Key, Sq, 0.19 X 0.19, 1.50l, 3-89, 4-10, 4-12  
Key, Sq, 0.25 X 0.25, 1.00l, 4-6  
Key, Woodruff, 0.19 0.75 [Asa#0606], 2-13  
Key, Woodruff, 3mm 3.7mm, 3-109  
Knob Assy, Rnd, 1.00d 0.66l .25-20 1.5l, 2-69, 3-67  
Knob Assy, Star, 1.12d 3ear M06x1.0 0.8l, 3-87  
Knob, Rnd, 2.37d 1.30l 0.38h, Plstc, 3-73  
Knob, Star, 2.50d 5ear 1.5l .38-16,Plstc, 3-107  
Knob, Star, 2.80d 4ear 1.1l .31-18, Pyp, 2-69, 3-67

### L

Label [Attention Fast Users, 5400s], 2-45  
Label [Fast], 2-11  
Label [Nfsi Certification], 2-11  
Label Set, Info/Hzrd [7200], 2-82  
Label Set, Opertnl [7200], 2-82  
Label, Opertnl, Circuitbreaker, 2-57  
Label, Opertnl, Pre-Sweep, 3-97  
Lamp, 36vdc [Sp5-36v], 2-9  
Lamp, 36vdc, .72a, 32cp [#Sp7], 2-9  
Lamp, 40vdc, 0.9a, 50cp [1062], 3-3, 3-5, 3-7, 3-9  
Lamp, Bulb, Flsh, 3-5, 3-9  
Lamp, Bulb, Strobe, 3-3, 3-7  
Latch, Flexible Draw, 3-33, 3-35, 3-37  
Latch, 3-83  
Lens, Amb, F/ Revl / Flasher, 3-3, 3-5, 3-7, 3-9  
Lens, Amb, Flsh Light [Fr207], 3-5  
Lens, Blu, Flsh Light [Fr207], 3-5  
Lens, Light, Revl, Amb, 3-3, 3-7, 3-9  
Lens, Light, Revl, Blu, 3-3, 3-7, 3-9  
Lens, Light, Revl, Red, 3-3, 3-7, 3-9  
Lens, Red, Flsh Light [Fr207], 3-5  
Lever, Brake, 102mml, 2-21  
Lever, Cntrl, 2-47  
Light Kit, Flsh, Ci [7200], 3-5  
Light Kit, Revl, Ci [7200], 3-3  
Light Kit, Revl, Ohg, Ci [7200], 3-7, 3-9  
Light, Flsh, 36vdc, Amb, 3-5  
Light, Flsh, Amb, 12-48vdc, 3-5, 3-9  
Light, Indicator, 36vdc, 0.5d, Red, 2-15  
Light, Revl, 36vdc, Amb, 3-3, 3-7, 3-9  
Light, Strobe, Amb, 12-48vdc, 3-3, 3-7  
Link Kit, Sqge, Repair, 2-67  
Link, Chain, Rlr, #35, 2-13  
Link, Square Rep.By369407, 2-65  
Link, Squeeegee Rep.By 385648, 2-65  
Lip, Tray, Debris, 28.0inch, 3-61  
Lip, Tray, Debris, 36.0inch, 2-33  
Lock Wldt, Cart, Battery, Lh, 3-79  
Lock Wldt, Cart, Battery, Rh, 3-79  
Lock, Floor, 3-79  
Lock, Secondary, 2cav, Mp280 Sealed, 4-13

### M

Manual Pkg [7200 Ele, Na], 3-117  
Manual, Cd-Rom, Oprtr / Parts [All, Na], 3-117  
Manual, Oprtr [7200 Ele, Es, Na], 3-117  
Manual, Oprtr [7200 Ele, Fr, Na], 3-117  
Manual, Oprtr [7200 Ele, Jp], 3-117  
Manual, Service [7200 Ele, Na], 3-117  
Memory, Flash [7200 Sepex], 2-17  
Molding, Trim, .08-.11 05.0l, 3-83, 3-85  
Molding, Trim, .08-.11 20.0l, 3-105  
Molding, Trim, .08-.11 30.0l, 3-87  
Molding, Trim, Pvc, .08-.11 03.2l, 2-17  
Molding, Trim, Pvc, .08-.11 10.0l, 2-13, 3-3, 3-5, 3-27  
Molding, Trim, Rbr, .13 03.0l, 2-27  
Motor Ele, 36vdc, 0.75hp, Rep.By374175  
□(See Breakdowns), 2-35, 3-63  
Motor Ele, 36vdc, 0.75hp, Rep.By374175, 4-8  
Motor, Ele, 36vdc 0.60hp 1800rpm . A (See Breakdowns), 3-89  
Motor, Ele, 36vdc 0.60hp 1800rpm . A, 4-10  
Motor, Ele, 36vdc 0.80hp 0320rpm (See Breakdowns), 2-29, 3-57  
Motor, Ele, 36vdc 0.80hp 0320rpm, 4-6  
Motor, Ele, 36vdc 0067rpm, Gear, 3-109  
Motor, Ele, 36vdc 0068rpm 0.08hp Gear, 3-93, 3-103  
Motor, Ele, 36vdc 1400rpm 1.50hp (See Breakdowns), 2-19  
Motor, Ele, 36vdc 1400rpm 1.50hp, 4-7, 4-11  
Motor, Ele, 36vdc 1700rpm 0.75hp (See Breakdowns), 2-35, 3-63  
Motor, Ele, 36vdc 1700rpm 0.75hp, 4-9  
Motor, Ele, 36vdc 1800rpm 0.60hp (See Breakdowns), 3-89  
Motor, Ele, 36vdc 1800rpm 0.60hp, 4-12  
Motor, Ele, 36vdc 67rpm, Rh Side (Repl by 9003011), 3-109  
Motor, Ele, 36vdc, Water Pump, 4-13, 4-14  
Mount, Cable Tie, 2-49, 3-3, 3-5, 3-7, 3-9, 3-27

### N

Nozzle, Spray, 3-95  
Nozzle, Wand, Vacuum, 3-43  
Nut Kit, Isolator, F/369344, Replmt, 3-3, 3-5, 3-27  
Nut, Hex, Flexlock, .31-18, 2-61, 3-81  
Nut, Hex, Flng, M6 X 1.00, 3-7, 3-9, 3-27  
Nut, Hex, Flng, M8 X 1.25, 2-21, 3-33, 3-37, 3-83  
Nut, Hex, Jam, .31-24, 2-17, 3-97  
Nut, Hex, Jam, .38-24, Lh, 2-27, 3-85  
Nut, Hex, Jam, .38-24, 2-27, 2-67, 3-85  
Nut, Hex, Lock, .25-20, NI, Ss, 3-73  
Nut, Hex, Lock, .25-20, NI, 2-25  
Nut, Hex, Lock, .25-28, NI, 2-25



Nut, Hex, Lock, .31-18, NI, 2-11  
 Nut, Hex, Lock, .31-24, NI, 2-65, 2-67  
 Nut, Hex, Lock, .38-16, NI, Ss, 3-89, 3-107  
 Nut, Hex, Lock, .38-16, NI, Thin, 2-63  
 Nut, Hex, Lock, .38-16, NI, 2-27, 3-69  
 Nut, Hex, Lock, .38-24, NI, 2-27, 2-67, 3-85  
 Nut, Hex, Lock, .50-13, NI, Ss, 2-37, 3-65, 3-73  
 Nut, Hex, Lock, M10 X 1.5, NI, Ss, 2-31, 2-37, 2-51, 2-63, 2-65, 2-67, 3-35, 3-59, 3-65, 3-69  
 Nut, Hex, Lock, M10 X 1.5, NI, 2-25, 3-79, 3-83  
 Nut, Hex, Lock, M12 X 1.75, NI, Ss, 2-23  
 Nut, Hex, Lock, M12 X 1.75, NI, 2-13, 3-11, 3-77, 3-113  
 Nut, Hex, Lock, M5 X 0.80, NI, Ss, 2-9, 2-39, 2-41, 3-25, 3-29, 3-31, 3-107  
 Nut, Hex, Lock, M5 X 0.80, NI, 3-3, 3-5, 3-7, 3-9  
 Nut, Hex, Lock, M6 X 1.00, NI, 2-11, 2-17, 2-21, 2-25, 2-57, 3-13, 3-15, 3-19, 3-23, 3-79, 3-83, 3-87, 3-114  
 Nut, Hex, Lock, M6 X 1.00, Ss, NI, 2-29, 2-31, 2-65, 2-67, 3-57, 3-59, 3-61, 3-83  
 Nut, Hex, Lock, M8 X 1.25, NI, Ss, 2-31, 2-33, 2-35, 2-37, 2-63, 2-65, 2-69, 3-59, 3-63, 3-65, 3-67, 3-87, 3-91  
 Nut, Hex, Lock, M8 X 1.25, NI, 2-21, 2-25, 2-45, 2-47, 3-11, 3-77, 3-79, 3-85, 3-107  
 Nut, Hex, Sltd, 1.25-12, 2-19  
 Nut, Hex, Std, .25-28, 2-25  
 Nut, Hex, Std, .50-13, 2-69  
 Nut, Hex, Std, #10-32, 2, 2-17, 3-97  
 Nut, Hex, Std, M10 X 1.25, 3-79  
 Nut, Hex, Std, M10 X 1.50, 2-25, 3-109  
 Nut, Hex, Std, M12 X 1.75, 3-79  
 Nut, Hex, Std, M6 X 1.00, 8, 3-87  
 Nut, Hex, Std, M8 X 1.25, Ss, 2-45, 2-65, 2-67  
 Nut, Impeller, Vacfan, 4-3, 4-5  
 Nut, Isolator, .25-20 Wall Th .187-.343, 2-41, 3-3, 3-5, 3-27  
 Nut, Spd, Clip, .25-20 [.025-.150], 2-3, 2-69, 3-67  
 Nut, Thumb, M6 X 1.0, 30d, 3-41  
 Nut, U, M8 X 1.25, 3-69  
 Nut, Wheel, .44-20 X 60 Angle, 2-23

**O**

Ohg Kit, Ci [7200 R/O], 3-77  
 Ohg Kit, Ci [7200], 3-11

**P**

Pad Driver Rep.By370018, 2-7  
 Pad, Buff, 14.0d, Red, 2-5  
 Pad, Buff, 18.0d, Red [1pad=1pc], 2-7

Pad, High Productivity Stripping, 14.0d, Blk, 2-5  
 Pad, Holder, 2-7  
 Pad, Pedal, Brake, 3.96l 2.36w 0.75, 2-21  
 Pad, Polish, 14.0d, White [1pad=1pc], 2-5  
 Pad, Polish, 18.0d, White [1pad=1pc], 2-7  
 Pad, Scb, 14.0d, Blu [1pad=1pc], 2-5  
 Pad, Scb, 18.0d, Blu [1pad=1pc], 2-7  
 Pad, Stripping, 14.0d, Brown [1pad=1pc], 2-5  
 Pad, Stripping, 18.0d, Blk [1pad=1pc], 2-7  
 Pad, Stripping, 18.0d, Brown [1pad=1pc], 2-7  
 Pan, Mtg, Seat, 3-71  
 Panel Assy, Touch [7200 Fast], 2-57  
 Panel Assy, Touch, 2-15  
 Panel Wldt, Mtg, Tool Lift, 3-69  
 Panel, Ele, W/ Label, 2-17  
 Panel, Switch, 3-97  
 Pedal Assy, Propel, Ele Mach, 2-25  
 Pedal Wldt, Brake [7200], 2-21  
 Pedal Wldt, Brake, 2-21  
 Pedal Wldt, Propel, 2-25  
 Pedal, Brake, Lock [Ce], 2-21  
 Pin, 0.62d/0.25d 04.8l, 2-63  
 Pin, Clevis, 0.19d X 0.63l, 2-63  
 Pin, Clevis, 0.25d X 0.75l, 2-21  
 Pin, Clevis, 0.25d X 1.25l, 3-93, 3-103  
 Pin, Clevis, 0.31d X 1.00l, 2-31, 2-37, 3-59, 3-65  
 Pin, Clevis, 0.31d X 1.75l, 3-83, 3-110  
 Pin, Clevis, 0.31d X 2.12l, 3-93, 3-103  
 Pin, Clevis, 0.37d X 0.75l, 2-31, 2-37, 3-59, 3-65, 3-107  
 Pin, Clevis, 0.37d X 1.00l, 2-21, 3-85  
 Pin, Clevis, 0.37d X 1.25l, 3-109  
 Pin, Clevis, 0.37d X 1.50l, 3-85  
 Pin, Clevis, 0.37d X 1.75l, 2-27  
 Pin, Clevis, 0.37d X 2.25l, 2-69, 3-67  
 Pin, Clevis, 0.37d X 3.50l, 3-109  
 Pin, Clevis, 0.50d X 1.25l, 3-79  
 Pin, Clevis, 0.50d X 2.00l, 3-69  
 Pin, Clevis, 0.50d X 2.25l, 2-63, 3-69  
 Pin, Clevis, 0.50d X 2.50l, 2-63  
 Pin, Clevis, 0.50d X 3.00l, 3-85  
 Pin, Clevis, 0.50d X 3.50l, 2-25, 3-109  
 Pin, Clevis, 0.50d X 4.50l, 3-57, 3-107  
 Pin, Clevis, 0.50d X 6.00l, 2-27  
 Pin, Clevis, 0.75d X 1.69l, 3-79  
 Pin, Clevis, 0.75d X 5.50l, 3-45, 3-75, 3-79  
 Pin, Cotter, .062 X 0.50, 2-47  
 Pin, Cotter, .062 X 0.75, 2-63  
 Pin, Cotter, .094 X 0.75, 2-63, 2-69, 3-71  
 Pin, Cotter, .094 X 1.00, 3-109  
 Pin, Cotter, .094 X 1.50, 3-45  
 Pin, Cotter, .125 X 1.00, 2-25, 3-107, 3-109  
 Pin, Cotter, .125 X 1.25, 2-63  
 Pin, Cotter, .156 X 2.00, 2-19  
 Pin, Cotter, Hair, 0.31d .058 Wir, 2-21, 3-83, 3-93, 3-103, 3-110  
 Pin, Cotter, Hair, 0.38d .072 Wir, 2-27, 3-85, 3-109

Pin, Cotter, Hair, 0.43d .079 Wir, 3-79  
 Pin, Cotter, Hair, 0.62d .120 Wir, 2-27, 3-85  
 Pin, Cotter, Hair, 0.69d .092 Wir, 2-31, 2-37, 3-57, 3-59, 3-65  
 Pin, Cotter, Hair, 0.75d .148 Wir, 3-79  
 Pin, Detent, 0.31d X 02.1l, 3-93, 3-103  
 Pin, Dowel, 0.3752d X 2.00l, Ss, 2-19  
 Pin, Dowel, 0.5002d X 1.50l, 2-19  
 Pin, Hitch, .375d X 3.12l, Pl, 3-69  
 Pin, Retainer, 3-109  
 Pin, Roll, .094d X 0.25l, .094/.097, 2-35, 3-63  
 Pin, Roll, .375d X 2.00l, .375/.382, 3-69  
 Plate Wldt, Cntrl, Dir, 2-25  
 Plate Wldt, Mtg, Tool, 2-33, 3-61  
 Plate Wldt, Swivel, 2-19  
 Plate, 0.50 X 04.0 X 025.0 [Hdpe], 3-71  
 Plate, Adj, 3-91  
 Plate, Align, Switch, Level [7200], 2-41  
 Plate, Brg, Mtg, 3-69  
 Plate, Brush [Av], 4-7, 4-11  
 Plate, Brush, Side, 3-107, 3-109  
 Plate, Clamp, 3-83  
 Plate, Cover, 2-39, 2-41  
 Plate, Ele, W/ Label, 2-17  
 Plate, Hold-Down, 3-89, 3-91  
 Plate, Label, Soltn Tank, 2-45  
 Plate, Mtg, Light, 3-7, 3-9  
 Plate, Mtg, Pump, 2-51  
 Plate, Mtg, Seal, Tank, Recvy [7200], 2-45  
 Plate, Mtg, Switch, 2-15  
 Plate, Mtg, Tool Lift, 2-33, 3-61  
 Plate, Mtg, 2-19  
 Plate, Orifice, 0.054id, 2-51  
 Plate, Removal, Brush, 3-87  
 Plate, Retainer, Blade, 28.0inch /700mm, 3-67  
 Plate, Retainer, Blade, 36.0inch /900mm, 2-69  
 Plate, Seal, Dust, 3-89, 3-91  
 Plate, Side, Sqge, 2-31, 3-59  
 Plate, Spacer, Fltr, 2-43, 3-29  
 Plate, Spacer, 3-79  
 Plate, Top, 2-43, 3-29  
 Plug Assy, Drive, Brush, [48 Tooth-Gt/2], 2-35, 3-63  
 Plug Assy, Idler, Brush, 2-35, 3-63  
 Plug, Drive, Brush Rep.By377333, 2-35, 3-63  
 Plug, Drive, Brush, Nyl, 3-89, 3-91  
 Plug, Expandable, Rnd 0.625h 0.7l, 2-45  
 Plug, Hole, Rnd, 0.38h .03-.12, Blk Nyl, 2-9, 3-110  
 Plug, Hole, Rnd, 0.38h .03-.12, Nyl[Whit], 2-11, 2-13  
 Plug, Hole, Rnd, 0.44h .03-.12, Blk Nyl, 2-11  
 Plug, Hole, Rnd, 0.62h .03-.12, Blk Nyl, 2-17  
 Plug, Hole, Rnd, 0.88h .03-.12, Blk Nyl, 2-9  
 Plug, Hole, Rt, 1.45 X 0.83, Blk Nyl, 2-17

## CROSS REFERENCE

Plug, Idler, Brush [Sgl Brg], 2-35, 3-63  
Port Kit, Pump, Water, 4-13  
Pouch, 3-71  
Power Transformer, 4-20  
Pulley, Cable, 1.5d Nyl, 3-85  
Pulley, Idler W/ Bearing, Plstc, 3-89  
Pump Assy, Es (See Breakdowns), 3-13, 3-15  
Pump Assy, Es, 4-13  
Pump Assy, Water, 36vdc  
Rep.By369890 □(See Breakdowns), 3-17, 3-19  
Pump Assy, Water, 36vdc  
Rep.By369890, 4-14  
Pump, Air, Ele, 36vdc, 2-49  
Pump, Detgt [560s], 2-49  
Pump, Soltn, Ele, 36vdc, Impeller, 3-21  
Pump, Soltn, Ele, 36vdc, 2-51  
Pump, Water, 36vdc, 3-31, 3-95

## R

Rectifier Assy, 4-16  
Rectifier, Scr, 20a, Chrgr, Battery, 4-15  
Rectifier, 4-15, 4-17, 4-18  
Relay, 36vdc, 005a, Spdt No [Greenwich], 2-57, 3-27  
Relay, 36vdc, 100a, Spdt No [White], 2-17  
Relay, 36vdc, 150a, No [Curtis], 2-17  
Retainer Wldt, Sqge, 28.0 [5700], 3-67  
Retainer Wldt, Sqge, 36.0 [5700], 2-69  
Retainer, Centering, Pad Rep.By370095, 2-5  
Retainer, Lip, Hppr, 3-83  
Retainer, Ring, Brake, 2-21  
Retainer, Shaft, Rlr, 3-79  
Retainer, Skirt, 3-87  
Retainer, Spring, .06 .88w 2/.3h, 2-25  
Retainer, Sqge, Wand [17b/E], 3-41  
Retainer, Sqge, 2-31, 2-37, 3-59, 3-65  
Ring Kit, Motor, Ele [Magnetek], 4-8, 4-10  
Ring, Mtg, Sqge, .38l, 2-69, 3-67  
Ring, Retaining, Ext, 0.59d, Basic, 2-35, 3-63, 3-89  
Ring, Retaining, Ext, 0.75d, Ss, 2-39, 2-41, 3-25  
Ring, Retaining, Ext, 1.25d, 3-69  
Ring, Retaining, Motor, Ele[Magnetek], 4-8, 4-9, 4-10  
Rivet, Blind [S2500 Drvblock], 3-41  
Rivet, Blind, .188d X 0.45 X .62d, Alm, 2-9  
Rivet, Blind, .188d X 0.47 X .38d, Alm, 2-43, 3-29  
Rivet, Plstc, .250d X 0.90, 3-33, 3-35, 3-37, 3-43  
Rod, Thrd, 2 End, .25-28 04.4l, 2-25  
Rod, Thrd, 2 End, .38-24 07.0l, Lh Hex, 3-85  
Rod, Thrd, 2 End, .38-24 11.3l, 2-67  
Rod, Thrd, 2 End, .38-24 14.1l 1left, Hex, 2-27  
Rod, Thrd, Full, .25-20 01.5l, 2-17  
Rod, Valve, Water Cntrl, 3-69

Rod, Valve, 2-47  
Rod-End, .38-24lh Fem 0.38-24stud, 2-27, 3-85  
Rod-End, 0.38-24rh Fem 0.38-24stud, 2-27, 2-67, 3-85  
Roller Assy, 1.90d 23.66l, Stil, 3-79

## S

Screw, Btn, M10 X 1.5 X 30, 10.9 NI, 2-27  
Screw, Btn, M12 X 1.75 X 30, 10.9 NI, 2-19  
Screw, Chz, M5 X 0.8 X 60, 4.8, 2-9  
Screw, Flt, M10 X 1.5 X 20, 10.9, NI, 2-35, 3-63  
Screw, Flt, M10 X 1.5 X 25, Ss, 3-65  
Screw, Flt, M10 X 1.5 X 30, 10.9, 2-37  
Screw, Flt, M5 X 0.8 X 16, 10.9, 3-33, 3-37  
Screw, Flt, M8 X 1.25 X 20, Ss 18-8, 3-107  
Screw, Flt, M8 X 1.25 X 25, 2-35, 2-37, 3-63, 3-65  
Screw, Flt, M8 X 1.25 X 30, Ss, 2-31, 3-59  
Screw, Hex, .25-20 X 0.50, NI, 2-17  
Screw, Hex, .25-20 X 1.25, G5, 2-25  
Screw, Hex, .25-20 X 1.25, Sems, 2-41, 3-3, 3-5, 3-27  
Screw, Hex, .25-20 X 1.25, Ss, 3-73  
Screw, Hex, .31-18 X 1.00, Ss, NI, 2-29, 3-57  
Screw, Hex, .31-18 X 2.00, Fl, 3-3, 3-5, 3-27  
Screw, Hex, .38-16 X 0.62, Ss, 2-29, 3-57  
Screw, Hex, .38-16 X 4.50, G5, 2-63  
Screw, Hex, .50-13 X 2.50, Ss, 3-73  
Screw, Hex, .50-13 X 5.00, G5, 3-65  
Screw, Hex, .50-13 X 5.50, G5, 2-37  
Screw, Hex, M10 X 1.5 X 20, Ss, NI, 3-17, 3-19, 3-21, 3-91  
Screw, Hex, M10 X 1.5 X 20, Ss, 2-65, 2-67, 3-35, 3-69  
Screw, Hex, M10 X 1.5 X 25, 8.8, 3-79  
Screw, Hex, M10 X 1.5 X 30, 8.8, 2-13, 3-79, 3-83  
Screw, Hex, M10 X 1.5 X 35, 8.8, 2-25  
Screw, Hex, M10 X 1.5 X 35, Ss, 2-31, 2-65, 2-67, 3-59  
Screw, Hex, M10 X 1.5 X 40, Ss, Fl, 2-63  
Screw, Hex, M10 X 1.5 X 60, 8.8, 2-25  
Screw, Hex, M10 X 1.5 X 60, Ss, 2-63  
Screw, Hex, M12 X 1.75 X 25, 8.8, 3-113  
Screw, Hex, M12 X 1.75 X 40, Ss, 3-11, 3-77  
Screw, Hex, M12 X 1.75 X 50, Fl, 3-79  
Screw, Hex, M12 X 1.75 X 50, NI, 2-19  
Screw, Hex, M12 X 1.75 X 80, Ss, 3-11, 3-77  
Screw, Hex, M20 X 2.5 X 35, 8.8, NI, 2-19  
Screw, Hex, M5 X 0.8 X 10, Fmg, 2-21, 3-95, 3-115  
Screw, Hex, M5 X 0.8 X 12, 8.8, 3-115  
Screw, Hex, M5 X 0.8 X 12, Ss, 2-41, 3-31  
Screw, Hex, M5 X 0.8 X 16, 8.8, 3-3, 3-5, 3-7, 3-9, 3-33, 3-37  
Screw, Hex, M5 X 0.8 X 16, Ss, 3-107  
Screw, Hex, M5 X 0.8 X 25, Ss, 2-39, 2-41, 3-25, 3-29  
Screw, Hex, M6 X 1.0 X 10, Fmg, 3-95  
Screw, Hex, M6 X 1.0 X 12, Fmg, 2-9, 2-21, 2-25, 2-33, 3-61, 3-89, 3-97  
Screw, Hex, M6 X 1.0 X 12, Ss, NI, 2-55  
Screw, Hex, M6 X 1.0 X 12, Ss, 2-35  
Screw, Hex, M6 X 1.0 X 16, 8.8, 2-11, 2-17, 2-21, 3-7, 3-9, 3-27  
Screw, Hex, M6 X 1.0 X 16, Ss, NI, 3-87, 3-89, 3-91  
Screw, Hex, M6 X 1.0 X 16, Ss, 2-9, 2-29, 2-35, 3-57, 3-63, 3-93, 3-103  
Screw, Hex, M6 X 1.0 X 20, 8.8, NI, 3-109  
Screw, Hex, M6 X 1.0 X 20, 8.8, 2-11, 3-83, 3-87  
Screw, Hex, M6 X 1.0 X 20, Ss, 2-31, 2-65, 2-67, 3-13, 3-15, 3-17, 3-19, 3-23, 3-59, 3-83  
Screw, Hex, M6 X 1.0 X 25, 8.8, 2-11, 2-17, 2-25, 3-109, 3-114  
Screw, Hex, M6 X 1.0 X 25, Ss, 2-33, 3-61  
Screw, Hex, M6 X 1.0 X 35, Ss, 3-13, 3-15  
Screw, Hex, M6 X 1.0 X 40, 8.8, 3-79  
Screw, Hex, M8 X 1.25 X 16, 8.8, 2-13  
Screw, Hex, M8 X 1.25 X 16, Ss, NI, 2-39, 2-41, 2-43, 2-45, 2-61, 3-13, 3-15, 3-17, 3-19, 3-23, 3-29  
Screw, Hex, M8 X 1.25 X 16, Ss, 2-43, 3-79  
Screw, Hex, M8 X 1.25 X 20, 8.8, 2-9, 2-21, 2-49, 3-33, 3-37, 3-69, 3-83, 3-85, 3-89, 3-109  
Screw, Hex, M8 X 1.25 X 20, Ss, NI, 2-39, 2-41, 2-55, 3-11, 3-77  
Screw, Hex, M8 X 1.25 X 20, Ss, 2-9, 2-11, 2-33, 2-35, 2-43, 2-45, 2-47, 2-49, 3-63, 3-87, 3-93, 3-103  
Screw, Hex, M8 X 1.25 X 25, 8.8, 3-107  
Screw, Hex, M8 X 1.25 X 25, Fmg, 2-33, 2-35, 2-37, 3-61, 3-63, 3-65  
Screw, Hex, M8 X 1.25 X 25, Ss, NI, 2-19  
Screw, Hex, M8 X 1.25 X 25, Ss, 3-45, 3-74, 3-75, 3-79, 3-99, 3-107, 3-110  
Screw, Hex, M8 X 1.25 X 30, 8.8, NI, 2-19  
Screw, Hex, M8 X 1.25 X 30, 8.8, 3-85  
Screw, Hex, M8 X 1.25 X 30, Ss, 2-63  
Screw, Hex, M8 X 1.25 X 35, 8.8, 2-21, 3-85  
Screw, Hex, M8 X 1.25 X 35, Ss, Fl, 2-35, 2-65, 3-63  
Screw, Hex, M8 X 1.25 X 35, Ss, NI, 2-19  
Screw, Hex, M8 X 1.25 X 40, Ss, 2-69, 3-67  
Screw, Hex, M8 X 1.25 X 45, 8.8, 2-47  
Screw, Hex, M8 X 1.25 X 50, Ss, 2-69, 3-67  
Screw, Hex, M8 X 1.25 X 55, Ss, 3-107  
Screw, Hex, M8 X 1.25 X 70, 8.8, 3-85

- Screw, Hex, M8 X 1.25 X 70, Ss, 2-69, 3-67
- Screw, Hex, M8 X 1.25 X 80, 8.8, 3-85
- Screw, Motor, Vacfan, 4-3
- Screw, Pan, .31-18 X 0.75, G2, 2-11
- Screw, Pan, #06-20 X 0.50, Fmg, [Ab], 2-15
- Screw, Pan, #08-32 X 0.50, G1, 3-97
- Screw, Pan, #08-32 X 0.88, G1, 2-17
- Screw, Pan, #10-14 X 0.50, F/ Plstc, 3-97
- Screw, Pan, #10-24 X 0.38, G1, 2-47, 3-97
- Screw, Pan, M4 X 0.7 X 16, Ss, 2-49
- Screw, Pan, M4 X 0.7 X 35, Ss, 2-5, 2-7
- Screw, Pan, M5 X 0.8 X 12, Ss, 2-53, 2-55
- Screw, Pan, M5 X 0.80 X 6, 4.8, 2-25
- Screw, Pan, M6 X 1.0 X 35, Ss, 2-5, 2-7
- Screw, Pan, M6 X 1.00 X 20, 4.8, 3-69
- Screw, Pan, M6 X 1.00 X 25, 4.8, 3-89, 3-91
- Screw, Pan, M6 X 1.00 X 35, 4.8, 2-61
- Screw, Set, .25-20 X 0.25, Al, 2-13
- Screw, Set, .31-18 X 0.38, NI, 2-13
- Screw, Set, #08-32 X 0.25, NI, 2-35, 3-63
- Screw, Set, Cam / Brg, 4-14
- Screw, Set, M6 X 1.0 X 16, Soc, 3-89
- Screw, Set, M6 X 1.0 X 8, NI, 3-109
- Screw, Set, M6 X 1.00 X 40, Ss [Cuppt], 3-41
- Screw, Soc, M10 X 1.50 X 35, 12.9, 2-27
- Screw, Soc, M6 X 1.00 X 20, 12.9, NI, 2-19
- Screw, Soc, M8 X 1.25 X 16, 12.9, 2-25
- Screw, Soc, M8 X 1.25 X 30, 12.9, 3-71
- Seal Assy, Vacfan, 2-43, 3-29
- Seal Kit, Vacfan & Panl Fltr, Modif, 3-29
- Seal Kit, Vacfan & Panl Fltr, 2-43
- Seal, Fan, 2-3, 2-43, 3-29
- Seal, Felt, 0.19th, 4.3d 04.0h, 2-19
- Seal, Foam, Open, 0.50, Tank, Soltn, 2-45
- Seal, Hppr, Lh, 3-87
- Seal, Hppr, Rh, 3-87
- Seal, Oil, 0.56w 4.1d 3.6b, 2-19
- Seal, Oil, 4-6
- Seal, Rbr, Clsd, 0.25, 5.8d 03.3h, 2-3, 2-43, 3-29, 4-3, 4-5
- Seal, Rbr, Clsd, 0.25, Fltr, Panl, 2-43, 3-29
- Seal, Rbr, Clsd, 0.50, 1.0w 23.0l Adh, 2-13
- Seal, Rbr, Clsd, 0.63, Demister, 2-43
- Seal, Rbr, Clsd, 0.75, Tank, Recvy, 2-3, 2-45
- Seal, Rbr, Clsd, 1.41, Demister, 2-43
- Seal, Rbr, Clsd, 1.41, Fltr, Hd, 3-29
- Seal, Ring, 2-35, 3-63
- Seal, Shaft, Motor, Ele [Magnetek], 4-9
- Seal, Tank, Recvy [7200], 2-45
- Seal, Wire, 14/16ga [Wp / Mp280 Sealed], 4-13, 4-14
- Seal, 2-39, 2-41, 3-25
- Seat Kit, Suspension, Ci [7200], 3-112
- Seat, Std [Michigan, Model V-1500], 2-11
- Seat, Suspension [Michigan Model V-5200], 3-112
- Seatbelt Kit, Ci [7200], 3-113
- Seatbelt, 60.0l, 3-113
- Sensor, Level, 10 Inch, 3-13, 3-15, 3-17, 3-19
- Sensor, Level, Liq, 14vdc 01a .62-11, 2-39, 2-41, 3-19, 3-21
- Sensor, Position, Pedal, 2-25
- Shaft Wldt, Lift, Tool, 3-69
- Shaft, Axle, 0.8d 06.1l, 2-23
- Shaft, Drive, Plug, 2-35, 3-63
- Shaft, Plug, Idler, 2-35, 3-63
- Shaft, Steering, Lower Repby 391401, 2-13
- Shaft, Steering, Upper, Mach, .75d 24.1l, 2-13
- Shaft, Thrld, 3-107
- Sheave, 01grv, 01.9pd 0.62b [3l], 3-89
- Sheave, 01grv, 04.5pd 0.62b [3l], 3-89
- Sheave, 02grv, 01.9/03.opd 01.3b [3l], 3-89
- Shell, Fan, 4-5
- Shell, Vacfan, 4-3
- Shield, Plug, Drive, 3-89, 3-91
- Shoe, Brake, 180 X 30mm, 2-21
- Shunt Assy, Cyl Head, 40mv /35a, 2-33, 3-61
- Shunt Assy, Disk Head, 40mv /35a, 2-29, 3-57
- Skirt, Fan, Dual, Neo, .12, Trimmed, 3-29
- Skirt, Neo, .06, 04.69w 33.56l, 05/ Sl, 3-83
- Skirt, Neo, .12, 03.87w 33.87l, 06/ Sl, 3-87
- Skirt, Neo, .12, 04.31w 11.62l, 04/ Sl, 3-87
- Skirt, Neo, .12, 06/ Hole, Motor, Fan, 2-43
- Skirt, Neo, .18, 02.87w 33.32l, 06/ Hole, 3-87
- Skirt, Rbr, .12, 03.50w 22.00l, 102/ H&S, 2-33, 3-61
- Skirt, Rbr, .12, 03.75w 19.92l, 03/ Sl, 3-57
- Skirt, Rbr, .12, 03.75w 28.00l, 04/ Sl, 2-3, 2-29
- Skirt, Rbr, .12, 03.75w 30.25l, 05/ Sl, 3-57
- Skirt, Rbr, .12, 03.75w 37.64l, 06/ Sl, 2-3, 2-29
- Skirt, Rbr, .31, 04.62w 03.87l, 02/ Sl, 2-9
- Sleeve, Flng, 0.32b 0.75/0.49d 0.9l, Stl, 2-47
- Sleeve, Flng, 0.32b 1.00/0.49d 0.4l, Ss, 3-85
- Sleeve, Nyl, #17 30.0l, 2-19
- Sleeve, P/M, 0.25b 0.38d 0.2l [430ss], 3-109
- Sleeve, P/M, 0.31b 0.44d 1.1l [430ss], 3-83, 3-107, 3-110
- Sleeve, P/M, 0.31b 0.50d 0.3l [430ss], 2-45
- Sleeve, P/M, 0.31b 0.50d 0.5l [430ss], 2-31, 2-37, 3-59, 3-65, 3-85
- Sleeve, P/M, 0.31b 0.50d 0.9l [430ss], 2-69, 3-67
- Sleeve, P/M, 0.40b 0.62d 0.3l [304ss], 2-63
- Sleeve, P/M, 0.50b 0.62d 1.3l, Pl, 2-27, 3-69
- Sleeve, P/M, 0.50b 0.63d 0.3l, Stl Pl, 3-85
- Spacer, Arm, Brush, 3-89, 3-91
- Spacer, Battery, 0.75 X 3.0 X 21.0, 3-51, 3-53
- Spacer, Battery, 1.50 X 4.8 X 07.5, 3-51
- Spacer, Battery, 2.25 X 4.8 X 26.0, 3-51
- Spacer, Impeller, Vacfan, 4-3
- Spacer, Plstc, 0.41b 2.25d 1.30l, Nyl, 2-25
- Spacer, 4-5
- Spring, Brg, Motor, Vacfan, 4-3, 4-5
- Spring, Brush, Motor, Ele [Av], 4-7, 4-11
- Spring, Cmpr, 0.72od .06wir 02.3l, 3-107
- Spring, Cmpr, 0.84od .11wir 02.0l, 2-27, 3-69
- Spring, Cmpr, 0.98od .14wir 02.5l, 2-27, 3-69
- Spring, Cmpr, 15mm [Conical], 3-41
- Spring, Dsl, 1.00od 0.50id 1.25l, 3-109
- Spring, Extn, 0.50od 0.06wir 05.0l, 3-107
- Spring, Extn, 0.62od 0.08wir 03.0l, 2-31, 2-37, 3-59, 3-65
- Spring, Extn, 0.75od 0.08wir 04.5l, 3-107
- Spring, Extn, 1.00od 0.13wir 09.0l, 2-65, 2-67
- Spring, Extn, 1.10od 0.15wir 03.2l, 3-109
- Spring, Flat, .06, 4.50w X 07.0l, 2-65, 2-67
- Spring, Flat, Door, Scrbr Head, 2-35, 3-63
- Spring, Tors, 0.50id .07wir 07.9coil, 2-69
- Spring, Tors, 0.75id .06wir 02.8coil, 2-11, 2-21
- Spring, Tors, 1.13id .12wir 2.3coil, Rh, 2-21
- Spring, Wir, 0.08d, Parking Brake, 2-21
- Spring, Wir, 0.16d, Brush Retaining, 2-5, 2-7
- Spring, Wir, 0.25d, Brake Return, 2-21
- Sprocket, #35, 12tooth, 0.75b 0.75w, 2-13
- Sprocket, #35, 12tooth, W / .75d Shaft, 2-13
- Sprocket, #35, 92tooth, 3.625b, 2-19
- Sprocket, Timing, 22tooth, 0.50b, [Gt/2], 2-35, 3-63
- Sqge Kit, Oil Res Ure [700], 2-3, 3-67
- Sqge Kit, Ure [900mm], 2-3, 2-69
- Squeeege Assy, 700mm [7200], 3-67
- Squeeege Assy, 900mm [7200], 2-69
- Squeeege Assy, Side [Linatex], 2-3, 2-31, 2-37, 3-59, 3-65
- Stand-Off, Wir, M6, Insulator, Panel, 2-17
- Stop, Leveler, 3-73
- Strainer, Soltn, 35mesh, Cyl, 4.0d 06.0l, 3-13, 3-15, 3-23
- Strainer, Soltn, 40mesh, Cyl, 3.5d 07.5l, 3-17, 3-19, 3-21
- Strainer, Switch, Grd Rep.By1023713, 2-39, 3-21
- Strainrelief, Wire, Chrgr, Battery, 4-15, 4-16, 4-17, 4-18, 4-19, 4-20
- Strap, Band, Head [Advance Dc], 4-7, 4-11
- Strap, Nyl, 1.00w 11.3l, 2-21
- Strap, 2-39, 2-41, 3-25
- Strip, Retainer, 0.12 01.00w 19.0l, 2-3, 3-57
- Strip, Retainer, Skirt, Front, Lh, 2-3, 2-29, 3-57

## CROSS REFERENCE

Strip, Retainer, 2-29  
Strip, Stl, 0.05 00.75w 07.80l, 2-25  
Strip, Tray, Debris, 2-33, 3-61  
Support Wldt, Seat, 3-71  
Support, Seat, W/ Label, 2-11  
Support, Seat, 2-11  
Switch Kit, Sensor, Level, Es [7200], 3-13, 3-15, 3-17, 3-19  
Switch Kit, Sensor, Level, W/O Es [7200], 2-39  
Switch, Contact, 12vdc 10a Nc, 2-15  
Switch, Ignition [Merit Gmbh], 2-15  
Switch, Press, 0010psi Spst, 2-51  
Switch, Press, 3.0inch 02pf 08inch Tube, 2-39  
Switch, Press, Dual, 02pf 14inch Tube, 3-21  
Switch, Push, Spst, No, 2-17  
Switch, Push, 2-15  
Switch, Red, Stop, Chrgr, Battery, 4-15, 4-16  
Switch, Rocker, Dpdt, On / None / On, 3-97  
Switch, Rocker, Spst, On / Off, 2-17, 3-31  
Switch, Seat, No [Delta 6500], 2-11  
Switch, Snap, 15a No, Rlr, 3-107  
Switch, Snap, 15a Spdt, Rlr, 2-21

### T

Taillight, 36vdc, 6.6 X 3.1, 2-9  
Tank, Demister, 2-43  
Tank, Recvy, Coolant, 2.5qt, 3-95  
Tank, Recvy, 2-39, 2-41  
Tank, Soltn, 2-45  
Tape, .0080, 1.0w, 2.5l [Protective], 2-31, 3-59  
Terminal, Bullet, Mal, .157d, 12ga, 3-3, 3-5, 3-7, 3-9  
Terminal, Fem, Mp280, Sealed, 18-16ga, 4-13  
Terminal, Fem, Mp630, 12-10ga [P2s], 4-6, 4-8, 4-9, 4-10, 4-12  
Terminal, Fem, Mp630, 14ga [P2s], 4-3, 4-5  
Terminal, Mal, Wp, Sealed, 16-14ga, 4-14  
Tie, Cable, 6.0l, 1.25d Max, 3-101, 3-111  
Tie, Cable, Nyl, 07.3l .19w 1.8 Max D, 2-49, 3-3, 3-5, 3-7, 3-9, 3-23, 3-27  
Tie, Cable, Nyl, 11.4l .19w 3.0 Max D, 3-61, 3-85  
Tie, Cable, Nyl, 14.5l .30w 4.0 Max D, 2-29, 2-35, 3-57, 3-63  
Tie, Cable, Nyl, 15.3l . W 4.5 Max D, 3-89  
Timer, 36vdc, Detgt [.5on/1.17off], 2-57  
Tire Assy, Solid, 12.0x3.5 3.5bc/3bolt, 3-116  
Tire Assy, Solid, 12.0x4.0 2.3d Hub [Nm], 2-19  
Tire Assy, Solid, 12.0x4.0, W/ Isolator, 2-19  
Tire Assy, Solid, 12.3x3.5 3.5bc/3bolt, 2-23  
Tool, Removal, Shaft, F/222176, 2-35, 3-63

Track, Slide, Seat Adj, 12.5l, W/Latch, 2-11  
Track, Slide, Seat Adj, 12.5l, 2-11  
Transformer, Power, 4-18, 4-19  
Transformer, 4-17  
Tray Kit, Debris, 28.0, Ci, 3-61  
Tray Kit, Debris, 36.0, Ci, 2-33  
Tray, Battery, 2-61  
Tray, Brush, Rwk, 3-37  
Tray, Brush, 3-33  
Tray, Debris, 28.0l, 3-61  
Tray, Debris, 36.0l, 2-33  
Tray, Drip, 2-9  
Tray, Wand, Power, 3-35  
Tread, Non-Skid, 02.2w 11.5l, 2-25  
Tread, Non-Skid, 04.5w 10.0l, 2-9, 3-45, 3-74, 3-75, 3-99, 3-110  
Tread, Non-Skid, 12.8w 15.0l, 2-9  
Tube Assy, Spray, Cyl, 0900mm [7200], 2-55  
Tube Wldt, Leg, Ohg, Rear [7200], 3-11, 3-77  
Tube, 0.34id 0.44od 00.3l, Ss, 3-85  
Tube, 0.38id 0.88od 00.7l, Stl, Pl, 3-89  
Tube, 0.41id 0.62od 00.5l, Ss, Cham, 2-65, 2-67  
Tube, 0.41id 0.62od 00.5l, Ss, 2-31, 2-37, 3-59, 3-65  
Tube, Sensor, Level, Soltn, 2.0l, 2-39, 3-21  
Tube, Wand, Vacuum, 1.3d 19.4l, 3-43  
Tube, Wand, Vacuum, 1.3d, 3-43

### V

Vacfan Kit, Ci, Dual [7200], 3-29  
Vacfan Kit, Ci, Sgl [7200], 2-43  
Valve, Air, Solenoid, 36vdc, 10bm/10bm, 3-13, 3-15, 3-17, 3-19, 3-23  
Valve, Ball, Pf08, Ss, 2-47  
Valve, Check, 0002psi Bm04/Bm04, 2-49  
Valve, Check, Pump, Water, 4-13, 4-14  
Valve, Check, Soltn, Pm12, 3-21  
Valve, Cntrl, Water, 3-41  
Valve, Water, Solenoid, 36vdc 02pf, 2-55  
Valve, Water, Solenoid, 36vdc Bm10/Bm10, 2-47, 3-95  
Valve, Water, Solenoid, 36vdc Pf02, 2-53  
Varistor, Chrgr, Battery, 4-15, 4-16, 4-19, 4-20  
Video, Oprtr, Vhs, Ntsc [7200], 3-117

### W

Wand Assy, Power, 3-41  
Wand Kit, Vacuum [5700/7200], 3-43  
Wand, Dbl Bend, 38.1mmd, 3-41  
Washer, Flat, #08, Ss, 2-5, 2-7  
Washer, Flat, #08, 2-17, 3-97  
Washer, Flat, #10, Sae, 2-17, 3-97  
Washer, Flat, #10, 2-17, 3-3, 3-5, 3-7, 3-9, 3-27

Washer, Flat, 0.22b 0.50d .05, Ss [#10], 2-9, 2-25, 2-39, 2-41, 3-25, 3-29, 3-107  
Washer, Flat, 0.25, Fendr, 2-9, 2-11, 3-114  
Washer, Flat, 0.25, Sae, 2-11, 3-7, 3-9, 3-71, 3-83, 3-87, 3-93, 3-97, 3-103, 3-109, 3-114  
Washer, Flat, 0.25, Std, 2-17, 2-21, 2-25, 2-65, 2-67, 3-69, 3-83, 3-85, 3-107, 3-109  
Washer, Flat, 0.26b 0.72d .06, Nyl, 2-11, 2-31, 3-59  
Washer, Flat, 0.27b 0.69d .05, Ss, 2-5, 2-7, 2-29, 2-31, 2-33, 2-35, 2-47, 2-55, 2-65, 2-67, 3-13, 3-15, 3-17, 3-19, 3-23, 3-57, 3-59, 3-61, 3-63, 3-73, 3-79, 3-83, 3-87, 3-89  
Washer, Flat, 0.28b 1.00d .06, Stl, 3-89, 3-91  
Washer, Flat, 0.31, Fendr, 2-43, 3-29, 3-33, 3-37  
Washer, Flat, 0.31, Sae, 3-97  
Washer, Flat, 0.31, Std, 2-11, 2-13, 2-19, 2-21, 2-49, 3-3, 3-5, 3-27, 3-33, 3-37, 3-69, 3-79, 3-85, 3-91, 3-99, 3-109, 3-110  
Washer, Flat, 0.31b 0.88d .12, Rbr, 2-65, 2-67  
Washer, Flat, 0.32b 1.00d .12, Ss, 2-41, 2-45  
Washer, Flat, 0.34b 0.75d .12 [Viton], 2-51  
Washer, Flat, 0.38, Fendr, 2-63  
Washer, Flat, 0.38, Sae, 2-25, 3-83  
Washer, Flat, 0.38, Std, 2-27, 3-69, 3-79, 3-85  
Washer, Flat, 0.38b 0.88d .08, Ss, 2-9, 2-31, 2-33, 2-35, 2-37, 2-39, 2-41, 2-43, 2-45, 2-47, 2-49, 2-55, 2-61, 2-63, 2-69, 3-11, 3-59, 3-61, 3-63, 3-65, 3-67, 3-71, 3-77, 3-79, 3-81  
Washer, Flat, 0.38b 0.88d .12, Stl, Pl, 2-11  
Washer, Flat, 0.38b 1.25d .12, Neo, 2-69, 3-67  
Washer, Flat, 0.39b 0.75d .06, Nyl, 2-47  
Washer, Flat, 0.44b 1.00d .08, Ss, 2-27, 2-29, 2-31, 2-37, 2-47, 2-51, 2-63, 2-65, 2-67, 3-17, 3-19, 3-21, 3-35, 3-57, 3-59, 3-65, 3-69, 3-89, 3-91  
Washer, Flat, 0.47b 1.19d .03, Nyl, 4-8, 4-9  
Washer, Flat, 0.50, Sae, 2-25, 2-27, 3-11, 3-69, 3-77, 3-109, 3-113  
Washer, Flat, 0.50, Std, 2-13, 2-27, 3-85, 3-105  
Washer, Flat, 0.52b 1.25d .06, Nyl, 3-85  
Washer, Flat, 0.53b 1.88d .12, Stl, Pl, 2-69, 3-67  
Washer, Flat, 0.56b 1.38d .11, Ss, 3-65, 3-73  
Washer, Flat, 0.64b 1.19d .06, Nyl, 3-85  
Washer, Flat, 0.75, Sae, 3-79  
Washer, Flat, 0.75b 1.00d .03, Nyl, 3-107

Washer, Flat, 1.27b 2.38d .08, Crs, Pl,  
2-19  
Washer, Flat, 1.91b 4.38d .13, Pye, 3-47,  
3-49  
Washer, Flat, 2.27b 4.06d .25, Stil, Oil,  
2-19  
Washer, Flat, Belleville, .25, 3-89, 3-91  
Washer, Flat, Belleville, .31, 2-29, 3-57,  
3-83, 3-89, 3-93, 3-103  
Washer, Flat, Belleville, .38, 2-13, 3-107  
Washer, Flat, M12.7x25.4  
Rep.By20536-2, 3-85  
Washer, Flat, M12, Ss, 2-23, 2-37  
Washer, Flat, M21.0b X 37d X 3, 2-21  
Washer, Lock, Int, #10, 2-25, 2-47, 3-97  
Washer, Lock, Int, 0.31, 2-17, 3-97  
Washer, Lock, Int, 0.38, Ss, 2-67  
Washer, Lock, Int, 0.50, 2-57  
Washer, Neo, Vacfan, 4-3, 4-5  
Washer, Thrust, 0.61b 1.25d .06, Fgl, 2-31,  
2-37, 2-63, 3-59, 3-65  
Washer, Thrust, 2.75b 3.62d 0.03, 2-19  
Washer, Wavy, Motor, Ele [Magnetek], 4-8,  
4-9, 4-10  
Washer, 4-3  
Wheel, 03.0d 0.87w 0.44b, Rbr, Pp Core,  
3-107  
Wheel, 03.0d 0.88w 0.50b, 2-69, 3-67  
Wheel, 04.0d 0.98w 0.78b, 3-45, 3-75  
Wheel, 41.3d 19.1w, Rbr, 3-41  
Wheel, Pyp, 04.0d 0.87w 0.44b, 3-83,  
3-110  
Wheel, Steering, 2-13  
Wire Assy, 36vdc, Chrgr, Battery, 4-17,  
4-18  
Wire, 120vac, W/ Plug, 4-17, 4-18, 4-19,  
4-20  
Wire, 36vdc, W/ Connector [Sb50], 4-19,  
4-20





## We Need Your Help...

As part of Tennant's Zero Defects Program, we want to know about errors you have found or suggestions you may have regarding our machine manuals. If you find an error or have a suggestion, please complete this postage-paid form and mail it to us. Thank you for helping us make zero defects a way of life at Tennant.

Manual No. \_\_\_\_\_ Rev. No. \_\_\_\_\_ Publish Date \_\_\_\_\_ Page \_\_\_\_\_  
Machine \_\_\_\_\_  Report Error  Suggestion

---

---

---

---

---

---

---

---

---

---

---

---

---

---

---

---

---

---

---

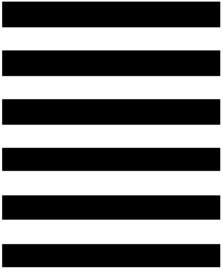
Name \_\_\_\_\_ Date \_\_\_\_\_  
Customer Number \_\_\_\_\_  
Company \_\_\_\_\_  
Address \_\_\_\_\_  
City/State/Zip Code \_\_\_\_\_



**TENNANT COMPANY**  
 Technical Publications #15  
 701 North Lilac Drive  
 P.O. Box 1452  
 Minneapolis, MN 55440-9947

POSTAGE WILL BE PAID BY ADDRESSEE

**BUSINESS REPLY MAIL**  
 FIRST CLASS MAIL PERMIT NO. 94 MINNEAPOLIS, MN



NO POSTAGE  
 NECESSARY  
 IF MAILED  
 IN THE  
 UNITED STATES



Fold along dotted lines

Tape here





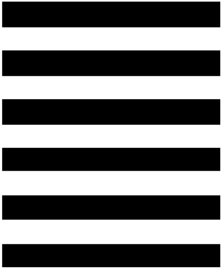




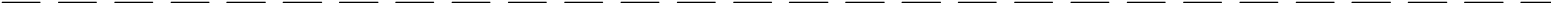
**TENNANT COMPANY**  
 Technical Publications #15  
 701 North Lilac Drive  
 P.O. Box 1452  
 Minneapolis, MN 55440-9947

POSTAGE WILL BE PAID BY ADDRESSEE

**BUSINESS REPLY MAIL**  
 FIRST CLASS MAIL PERMIT NO. 94 MINNEAPOLIS, MN



NO POSTAGE  
 NECESSARY  
 IF MAILED  
 IN THE  
 UNITED STATES



Fold along dotted lines

Tape here

